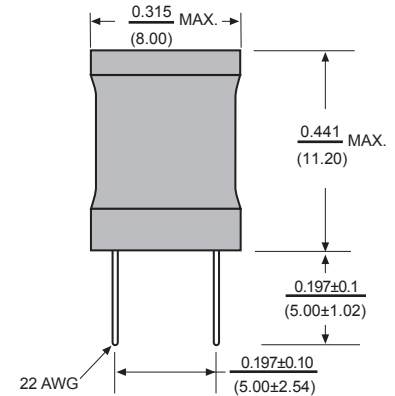
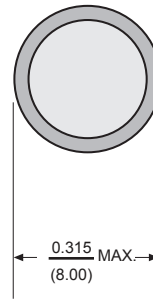




Radial Bobbin Inductors RB40



Dimensions: $\frac{\text{Inches}}{\text{(mm)}}$



Allied Part Number	Inductance (μh)	Tolerance (%)	Q Min.	Test Freq. (MHz)	SRF Min. (MHz)	DCR Max. (Ω)	Rated Current (mA)
RB40-101K-RC	100	10	80	0.796	5.3	2.0	200
RB40-121K-RC	120	10	80	0.796	4.5	2.0	200
RB40-151K-RC	150	10	80	0.796	3.8	2.0	200
RB40-181K-RC	180	10	80	0.796	3.3	3.0	200
RB40-221K-RC	220	10	80	0.796	2.9	3.0	200
RB40-271K-RC	270	10	80	0.796	2.6	3.0	200
RB40-331K-RC	330	10	80	0.796	2.3	4.0	200
RB40-391K-RC	390	10	80	0.796	2.1	4.0	200
RB40-471K-RC	470	10	80	0.796	1.9	4.0	200
RB40-561K-RC	560	10	80	0.796	1.7	4.0	200
RB40-681K-RC	680	10	80	0.796	1.6	4.0	200
RB40-821K-RC	820	10	80	0.796	1.4	6.0	200
RB40-102K-RC	1000	10	90	0.252	1.3	6.0	150
RB40-122K-RC	1200	10	90	0.252	1.2	9.0	150
RB40-152K-RC	1500	10	90	0.252	1.1	9.0	150
RB40-182K-RC	1800	10	90	0.252	1.0	9.0	100
RB40-222K-RC	2200	10	90	0.252	0.9	13.0	100
RB40-272K-RC	2700	10	90	0.252	0.8	13.0	100
RB40-332K-RC	3300	10	90	0.252	0.7	13.0	100
RB40-392K-RC	3900	10	90	0.252	0.7	13.0	50
RB40-472K-RC	4700	10	90	0.252	0.6	18.0	50
RB40-562K-RC	5600	10	90	0.252	0.6	18.0	50
RB40-682K-RC	6800	10	90	0.252	0.5	26.0	50
RB40-822K-RC	8200	10	90	0.252	0.5	26.0	50
RB40-103K-RC	10000	10	100	0.0796	0.4	40.0	40
RB40-123K-RC	12000	10	100	0.0796	0.4	40.0	40
RB40-153K-RC	15000	10	100	0.0796	0.4	60.0	40
RB40-183K-RC	18000	10	100	0.0796	0.3	60.0	30
RB40-223K-RC	22000	10	100	0.0796	0.3	80.0	30
RB40-273K-RC	27000	10	100	0.0796	0.3	80.0	30
RB40-333K-RC	33000	10	100	0.0796	0.3	80.0	30
RB40-363K-RC	36000	10	100	0.0796	0.3	80.0	30

All specifications subject to change without notice.

Features

- Radial leaded pre-tinned leads.
- Protected with UL Polyolefin shrink tubing.
- Non-standard values and tolerances available.

Electrical

Inductance Range: 100μh to 36000μh.

Tolerance: 10% over entire inductance range. Tighter tolerances available.

Test Procedures: L&Q Measured with HP4342A Q-Meter at specified Frequency. DCR Measured on CH-301, SRF Measured on HP-4191A, HP4291B.

Operating Temp: -55°C to +125°C.

Current Rating: Based on Inductance Drop of <10% at rated current.

Physical

Marking (on Part): EIA Code

Marking (on Reel): Manufacturers Name, Part Number, Customers Part Number, Invoice Number, Lot or Data Code.

Packaging: 100 pieces per bag.