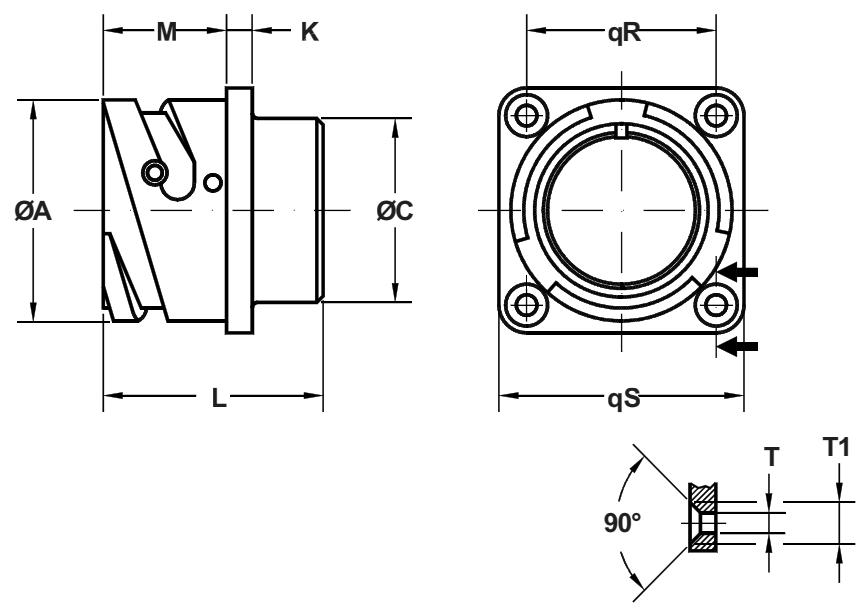
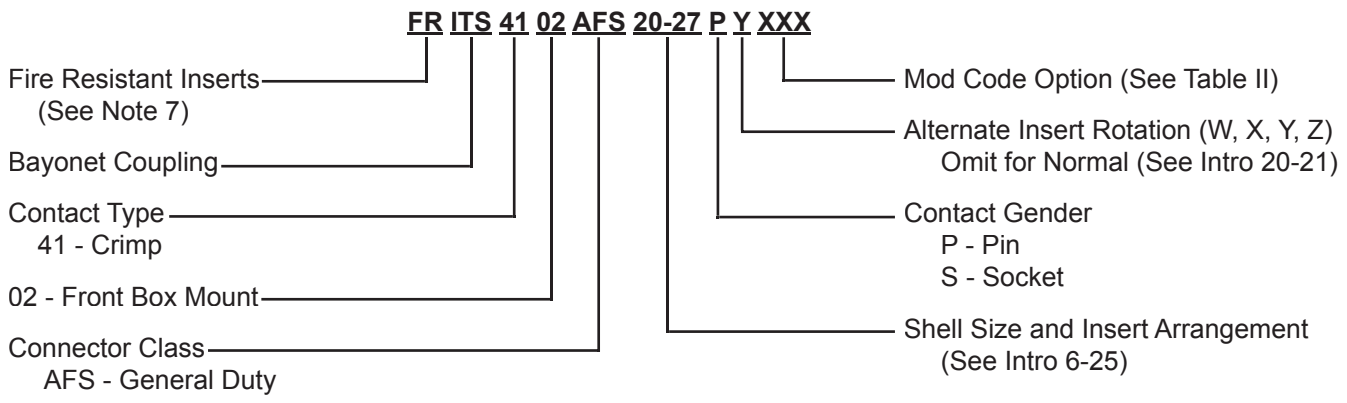




# ITS 4102 (AFS) Front Panel Mount Square Flange Receptacle No Accessory Threads



**Application Notes:**

1. Front panel mount square flange receptacle—No accessory threads. Chamfered mounting holes.
2. Connector Class: General Duty
3. Standard materials configuration consists of aluminum alloy with cadmium olive drab finish.
4. Standard contact material consists of copper alloy with silver plating (Gold plating available, see mod codes).
5. A broad range of additional connector accessories are available. See our website and/or contact the factory for complete information.
6. Standard insert material is synthetic rubber.
7. Add "FR" prefix to front of part number to specify fire-resistant insert elastomers.



**ITS 4102 (AFS)  
Front Panel Mount Square Flange Receptacle  
No Accessory Threads**



**TABLE I: DIMENSIONS**

Shell Size	ØA +0 -0.1	ØC Max.	K ±0.2	L ±0.3	M +0.2 -0	R ±0.1	S ±0.2	ØT H13	ØT1
14 S	24.5	19.2	3.3	24.7	14.5	23.00	30.4	3.2	6.5
16 S	27.2	22.4	3.3	24.7	14.5	24.60	32.5	3.2	6.5
16	27.2	22.4	3.3	33.8	19.1	24.60	32.5	3.2	6.5
18	30.7	25.6	4.0	34.5	19.1	27.00	35.0	3.2	6.5
20	34.0	29.0	4.0	34.5	19.1	29.40	38.0	3.2	6.5
22	37.3	32.2	4.0	34.5	19.6	31.75	41.0	3.2	6.5
24	40.9	35.3	4.0	35.7	20.6	34.90	44.5	3.7	7.5
28	46.7	41.4	4.0	35.7	20.7	39.70	50.9	3.7	7.5
32	53.4	47.8	4.0	37.3	22.3	44.45	57.0	4.3	8.0
36	59.6	54.1	4.0	37.3	22.3	49.20	63.5	4.3	8.0
40	65.5	59.0	4.0	37.3	22.3	55.55	69.9	4.3	8.0

**TABLE II: MODIFICATION CODES**

CONTACT OPTIONS	
Sym	Description
B0	Connector less contacts
B1	Connector with gold plated contacts
Omit for standard version (silver plated)	

