

- Robust design allows for most severe soldering processes •

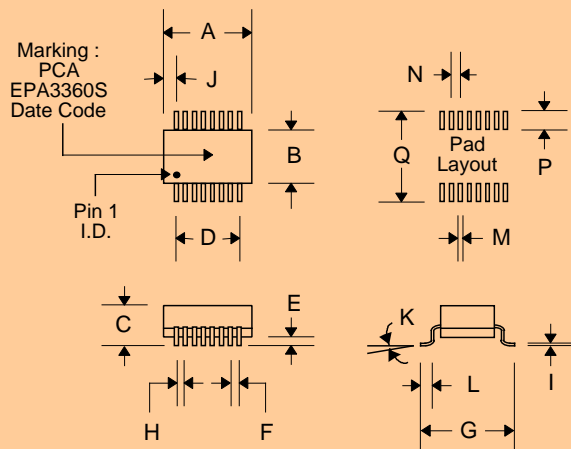
Electrical Parameters @ 25° C

OCL (nH ± 10 %)		Leakage Inductance (µH Max.)	Hipot (Vrms)
@ 100 KHz, 20m Vrms	@ 100 KHz, 20m Vrms	@ 100 KHz, 20m Vrms	
567 (Pins 1-16, 2-15)	448 (Pins 4-13, 5-12)	0.16	500

Schematic



Package



Dimensions

Dim.	(Inches)			(millimeters)		
	Min.	Max.	Nom.	Min.	Max.	Nom.
A	.465	.485		11.81	12.32	
B	.265	.285		6.73	7.24	
C	.200	.225		5.08	5.72	
D	.350	Typ.		8.89	Typ.	
E	.004	.015		.102	.381	
F	.050	Typ.		1.27	Typ.	
G	.350	.375		8.89	9.52	
H	.016	.022		.406	.559	
I	.008	.012		.203	.305	
J	.085	Typ.		2.16	Typ.	
K	0°	8°		0°	8°	
L	.045	Typ.		1.14	Typ.	
M			.030			.762
N			.050			1.27
P			.055			1.40
Q			.400			10.16