

EPA3343G

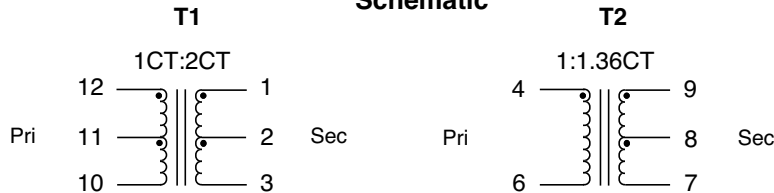


- Matched to work with AT&T T7290 •
Dallas DS2185, 2186 & 2187 and PMC Sierra PM4341 & 6341
- 1500 Vrms Isolation •
- 12 Pin SMD Package •
- Available in tubes or tape & reel •

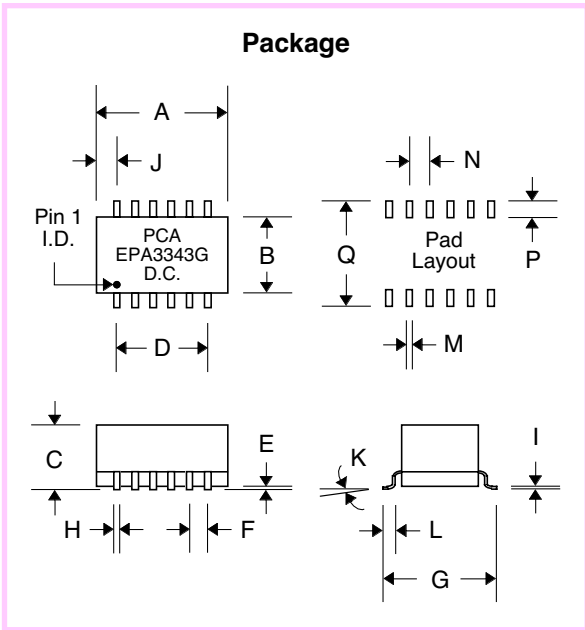
Electrical Parameters @ 25° C

Inductance (Primary)		Interwinding Capacitance		Leakage Inductance		DCR (Ω Max.)			
@ 100 KHz, 0.1 Vrms		@ 100 KHz, 0.1 Vrms		@ 100 KHz, 0.1 Vrms		Primary		Secondary	
T1	T2	T1	T2	T1	T2	T1	T2	T1	T2
1.6 mH Min.	1.6 mH Min.	60 pF Max.	50 pF Max.	1.0 μH Max.	0.8 μH Max.	1.5	1.5	2.0	1.7
Pins 12-10	Pins 4-6			Pins 12-10	Pins 4-6	Pins 12-10	Pins 1-3	Pins 4-6	Pins 9-7

Schematic



Package



Dimensions

Dim.	(Inches)			(Millimeters)		
	Min.	Max.	Nom.	Min.	Max.	Nom.
A	.590	.610	.600	14.99	15.49	15.24
B	.390	.410	.400	9.90	10.41	10.16
C	.260	.280	.270	6.60	7.11	6.86
D	---	---	.500	---	---	12.70
E	.010	.015	.013	.254	.381	.330
F	---	---	.100	---	---	2.54
G	.490	.510	.500	12.45	12.95	12.70
H	.016	.022	.019	.406	.560	.483
I	.008	.012	.010	.203	.305	.254
J	---	---	.050	---	---	1.27
K	0°	8°	---	0°	8°	---
L	.020	.040	.030	.508	1.02	.762
M	---	---	.030	---	---	.762
N	---	---	.100	---	---	2.54
P	---	---	.085	---	---	2.16
Q	---	---	.560	---	---	14.22