

FEATURES

- LAN interface suitable for 10/100/1000Base-TX applications.
- RJ45/USB stacked design saves on PCB real estate.
- USB module complies with USB 2.0 standards and meets CAT5 Fast Ethernet industry performance standard.
- Magnetics are 100% electrically tested for HI-POT and continuity
- Meets or exceeds IEEE 802.3 and ANSI X3.263 standards including 350 μ H min OCL with 8 mA bias.

ELECTRICAL SPECIFICATIONS @25°C-Operating temperature 0°C TO 70°C

Part Number	Data Rate	Turns Ratio		LEDs	Insertion Loss (dB MAX)	Return Loss (dB MIN) 100 Ω ±15 Ω				Crosstalk (dB TYP)			Common Mode Rejection (dB TYP)		Hipot (Vrms) @60Hz
		TX	RX			L/R	1-100 MHz	1-30 MHz	30-60 MHz	60-80 MHz	1-10 MHz	32-60 MHz	60-100 MHz	1-50 MHz	
RJ45-102DYD2	10/100	1CT:1	1CT:1CT	G-O/Y	-1.0	-18	-16	-12	-40	-35	-30	-30	-20	1500	
RJ45-103YDD2	10/100	1CT:1	1CT:1CT	Y/G-O	-1.0	-18	-16	-12	-35	-35	-35	-30	-30	1500	
RJ45-104GYD2	10/100	1CT:1	1CT:1CT	G/Y	-1.0	-20	-14	-12	-35	-35	--	-30	-30	1500	
RJ45-201DYD2	10/100/1000	1CT:1	1CT:1	G-O/Y	-1.0	-18	-16	-12	-35	-35	-35	-30	-30	1500	
RJ45-202GDD2	10/100/1000	1CT:1	1CT:1	G/G-O	-1.0	-18	-16	-12	-40	-40	-35	-30	-25	1500	
RJ45-203GDD2	10/100/1000	1CT:1CT	1CT:1CT	G/G-O	-1.0	-18	-16	-12	-40	-35	-30	-30	-20	1500	

Part Number:

RJ45 – xxx GYD 2

A:Series

A B C D

B:Schematics

C:Led

D:Gold Plating:1=3u",2=6u",3=15u",4=30u",5=50u"

Mechanicals

Housing Material: PBT

Insert Material:

RJ Upper Support : Thermoplastic UL 94V-0

Contact : Phosphor Bronze

Contact pin Material:

RJ Upper Support : Thermoplastic UL 94V-0

Contact :SPCC

Shielding Material:

1. MATERIAL : BRASS, C2680R-H

THICKNESS : 0.25mm

2. MATERIAL : STAINLESS, SUS304

THICKNESS : 0.25±0.01mm

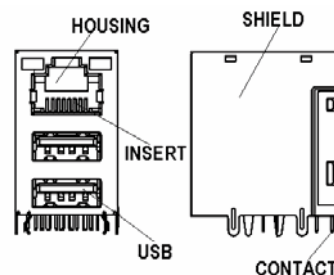
USB:

Housing : Thermoplastic UL94V-0 Black.

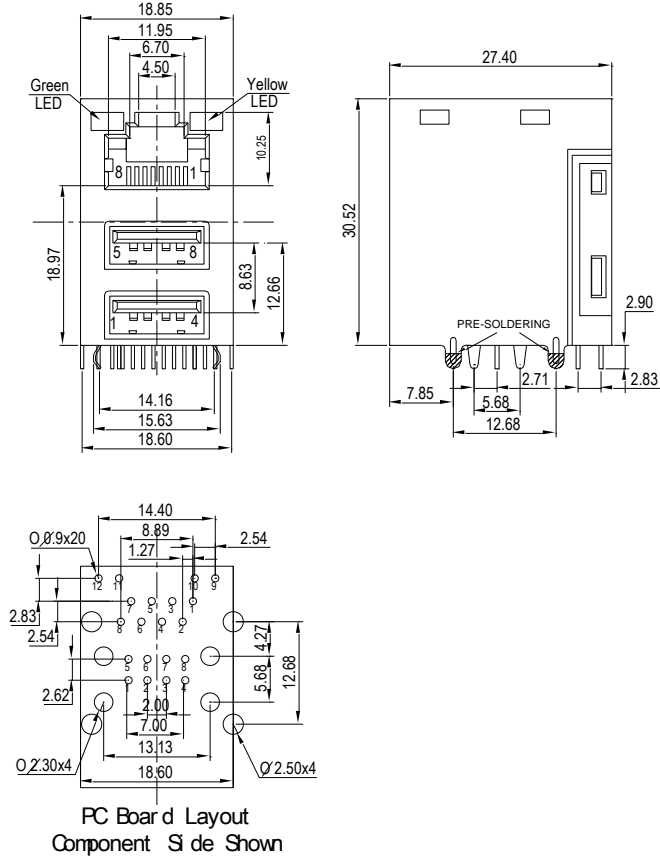
Contact: Phosphor Bronze

Shell:Copper Alloy (t=0.30mm)

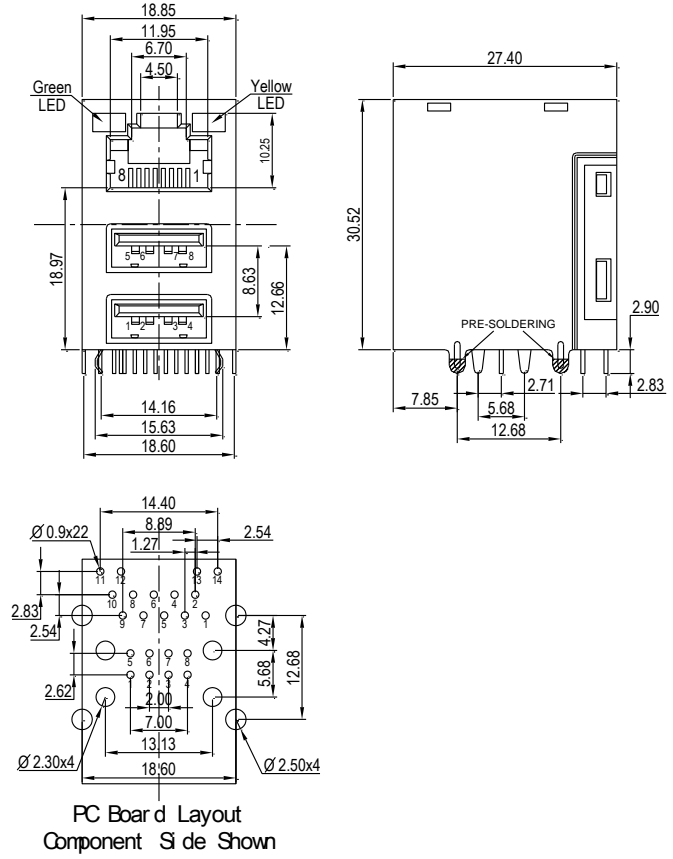
Tangue Shell:Copper Alloy (t=0.30mm)



**Mechanicals and Dimensions:
8 PIN**

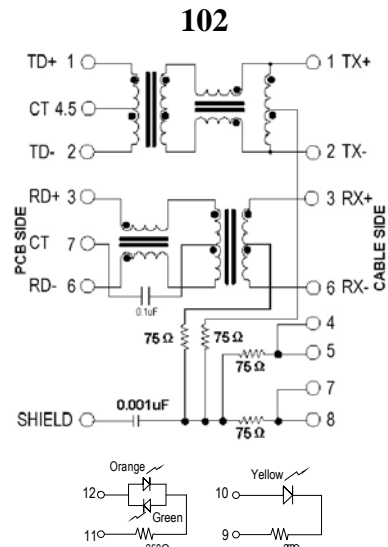
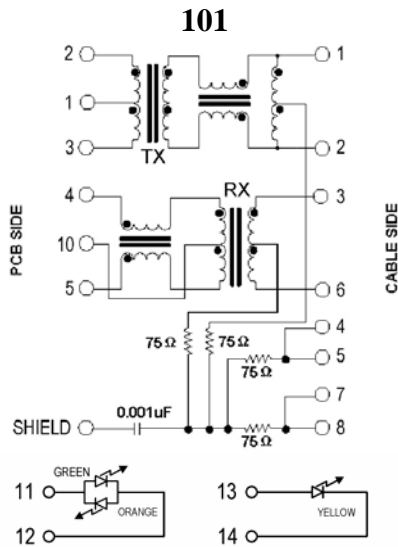


10 PIN

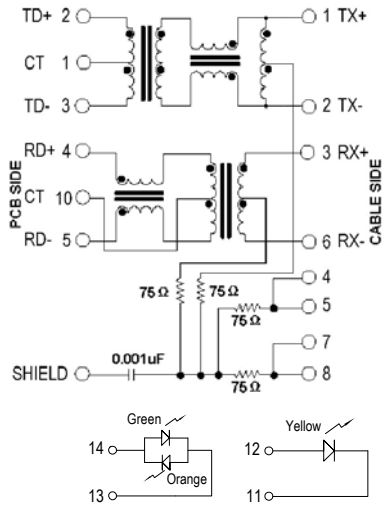


UNIT : mm Unless otherwise specified, all tolerances are ± 0.25

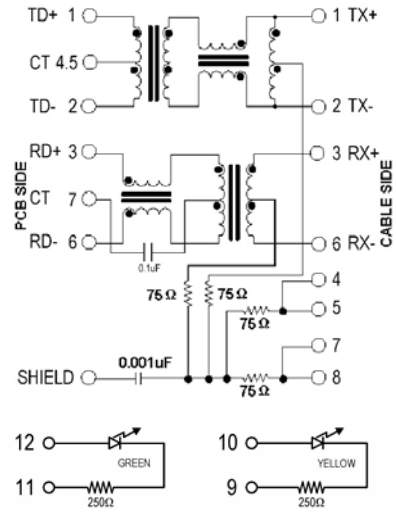
SCHEMATICS



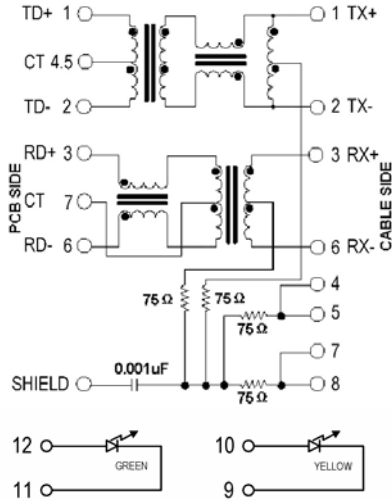
103



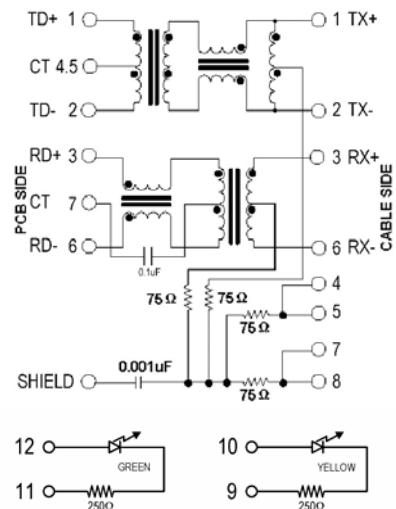
104



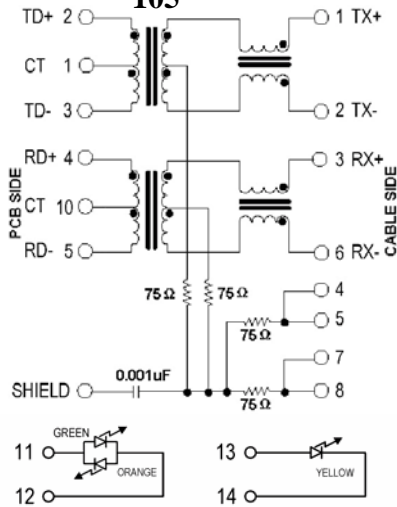
104A



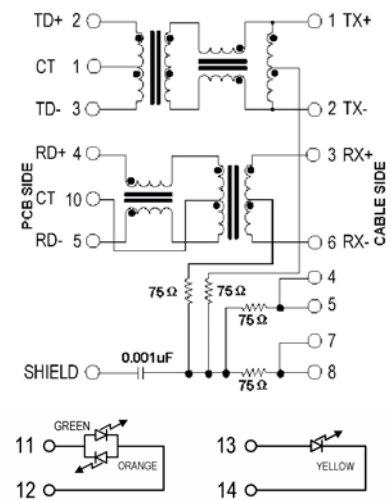
104B



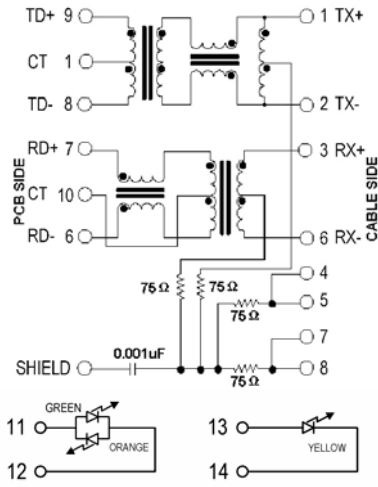
105



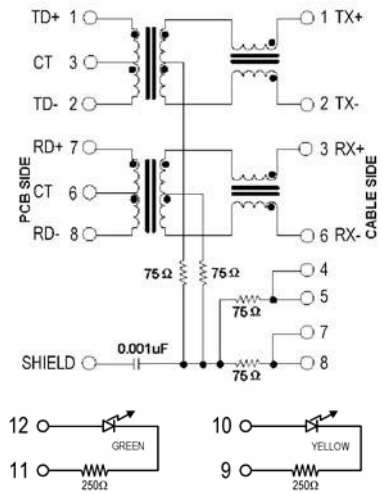
105A



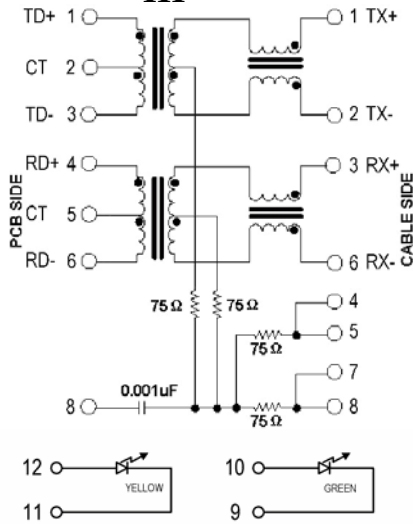
106



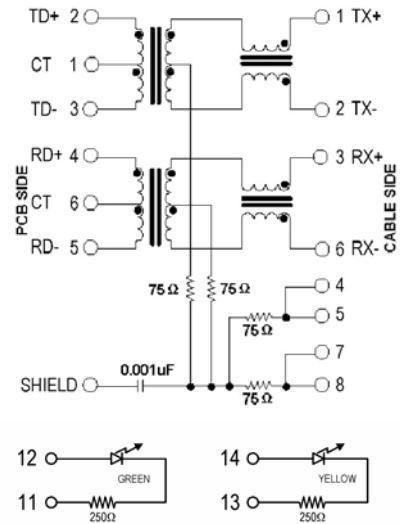
107



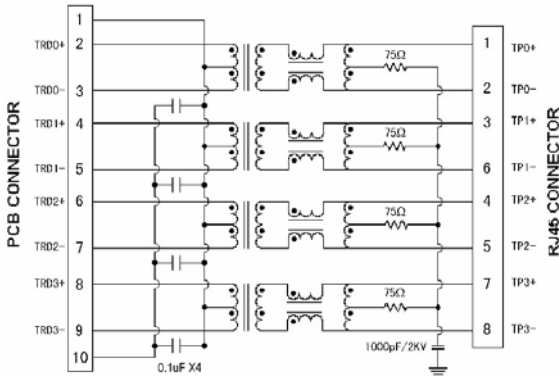
111



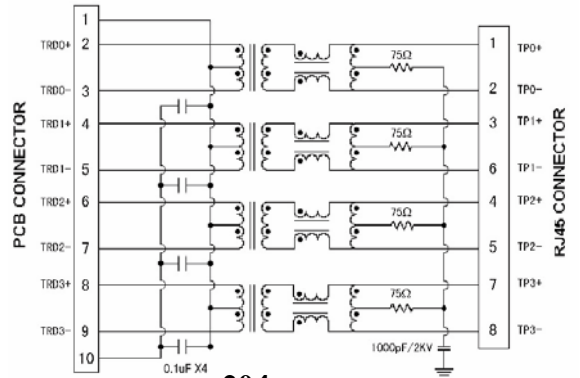
112



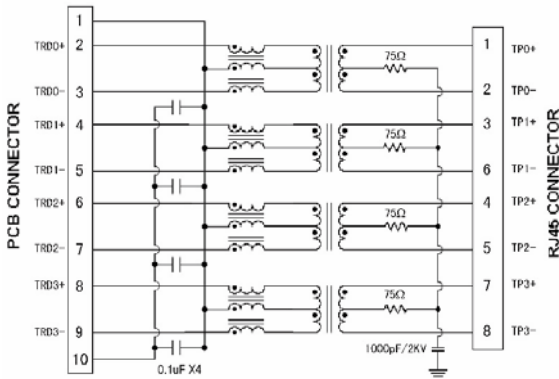
201



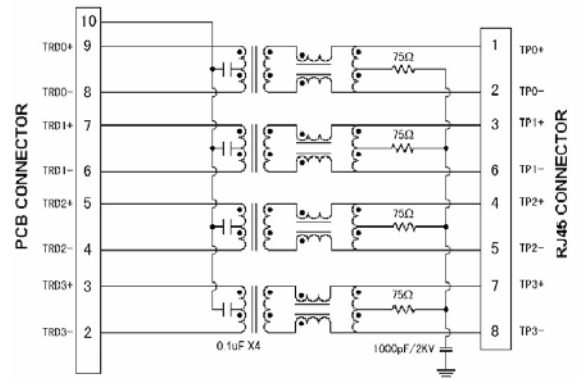
202



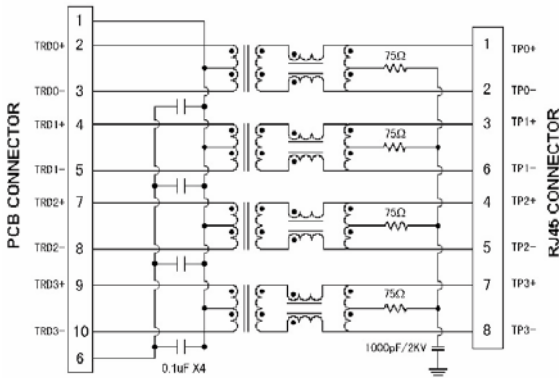
203



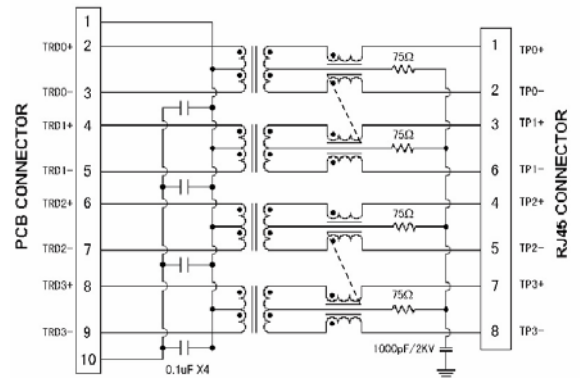
204



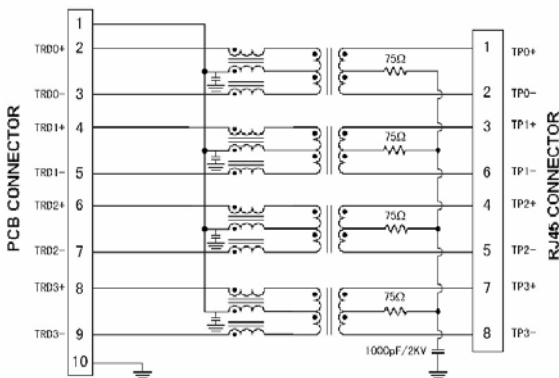
205



206



207



209

