

# AS85049/60-2G and MS3416-G Shrink Boot Adapters



## Glenair Connector Designator A

MIL-DTL-5015 Series 3400,  
MIL-DTL-26482 Series 2,  
AS81703 Series 3,  
MIL-DTL-83723 Series I &  
III, 40M39569, DEF 5326-3,  
EN 2997, EN 3646,  
ESC 10, ESC 11, LN 29504,  
NFC93422 Series HE302,  
PAN 6432-1, PAN 6432-2,  
PATT 602

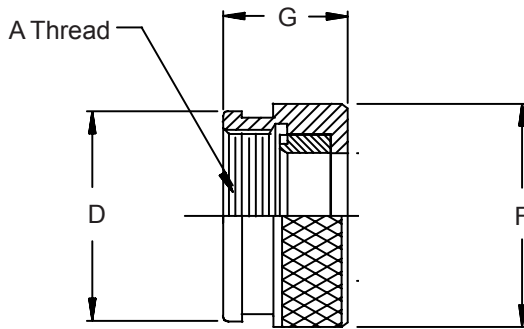
**M85049/60-2G 22 W**

Basic Part No. \_\_\_\_\_  
Shell Size \_\_\_\_\_  
Finish  
A = Anodize Black  
N = Electroless Nickel  
W = 1,000 Hr. Cadmium Olive Drab  
Over Electroless Nickel

**MS3416-22 G C**

Basic Part No. \_\_\_\_\_  
Shell Size \_\_\_\_\_  
Style \_\_\_\_\_  
Finish  
C = Cadmium Olive Drab Over  
Electroless Nickel  
N = Electroless Nickel

**Superceded Part Number**



1. For complete dimensions see applicable Military Specification.
2. Metric dimensions (mm) are indicated in parentheses.

**TABLE I**

Shell Size	A Thread Class 2B	D Dia		F Dia		G Max
		+0.000 (0.0)	-0.020 (0.5)	+0.000 (0.0)	-0.045 (1.1)	
3	.562 - 24 UNEF	.709 (18.0)	.750 (19.1)	.750 (19.1)	.540 (13.7)	
8	.500 - 20 UNF	.657 (16.7)	.688 (17.5)	.688 (17.5)	.540 (13.7)	
10	.625 - 24 UNEF	.774 (19.7)	.803 (20.4)	.803 (20.4)	.540 (13.7)	
12	.750 - 20 UNEF	.898 (22.8)	.938 (23.8)	.938 (23.8)	.540 (13.7)	
14	.875 - 20 UNEF	1.024 (26.0)	1.063 (27.0)	1.063 (27.0)	.540 (13.7)	
16	1.000 - 20 UNEF	1.152 (29.3)	1.238 (31.4)	1.238 (31.4)	.540 (13.7)	
18	1.062 - 18 UNEF	1.243 (31.6)	1.310 (33.3)	1.310 (33.3)	.540 (13.7)	
20	1.188 - 18 UNEF	1.370 (34.8)	1.436 (36.5)	1.436 (36.5)	.540 (13.7)	
22	1.313 - 18 UNEF	1.443 (36.7)	1.560 (39.6)	1.560 (39.6)	.540 (13.7)	
24	1.438 - 18 UNEF	1.618 (41.1)	1.686 (42.8)	1.686 (42.8)	.540 (13.7)	
28	1.750 - 18 UNS	1.969 (50.0)	2.062 (52.4)	2.062 (52.4)	.702 (17.8)	
32	2.000 - 18 UNS	2.219 (56.4)	2.312 (58.7)	2.312 (58.7)	.702 (17.8)	
36	2.250 - 16 UN	2.469 (62.7)	2.562 (65.1)	2.562 (65.1)	.702 (17.8)	
40	2.500 - 16 UN	2.719 (69.1)	2.812 (71.4)	2.812 (71.4)	.702 (17.8)	
44	2.750 - 16 UN	2.969 (75.4)	3.062 (77.8)	3.062 (77.8)	.702 (17.8)	
48	3.000 - 16 UN	3.219 (81.8)	3.312 (84.1)	3.312 (84.1)	.702 (17.8)	
61	1.500 - 18 UNEF	1.653 (42.0)	1.748 (44.4)	1.748 (44.4)	.540 (13.7)	