

ET / UT SERIES

Common mode chokes with ET & UT cores

Features

- 0,3 to 10A ratings, low temperature.
- 0,7 to 100 mH, dual chokes.
- An open-body anti-noise choke coil a large inductance for a great noise control effect.
- Excellent mechanical strength
- 100KHz to 3MHz common node resonance.
- High reliability and variant PCB-mount housing
- Suitable for wave soldering
- Low resistance and temperature rise.
- Suitable for high-density insertion



Common Mode Chokes

Part Number	Nominal Inductance (mH) min.	Leakage Inductance (µH) Max	D.C.R. (Ω) Max	Rated Current (A) Max
ET2422H-683	68	700	2,3	0,40
ET2422H-453	45	600	1,65	0,50
ET2422H-333	33	500	1,2	0,60
ET2422H-253	25	400	0,88	0,80
ET2422H-203	20	350	0,64	1,00
ET2422H-103	10	250	0,38	1,20
ET2422H-452	4,5	150	0,19	1,50
ET2422H-392	3,9	150	0,15	1,80
ET2422H-332	3,3	100	0,11	2,00
ET2422H-242	2,4	95	0,09	2,50
ET2430V-683	68	700	2,30	0,40
ET2430V-453	45	600	1,65	0,50
ET2430V-333	33	500	1,20	0,60
ET2430V-253	25	400	0,88	0,80
ET2430V-203	20	350	0,64	1,00
ET2430V-103	10	250	0,38	1,20
ET2430V-452	4,5	150	0,19	1,50
ET2430V-392	3,9	150	0,15	1,80
ET2430V-332	3,3	100	0,11	2,00
ET2430V-242	2,4	95	0,09	2,50
ET2836V-353	35	650	0,78	1,00
ET2836V-253	25	500	0,56	1,20
ET2836V-203	20	400	0,41	1,50
ET2836H-123	12	300	0,27	1,80
ET2836H-802	8	200	0,18	2,00
ET2836H-562	5,6	200	0,13	2,50
ET2836H-472	4,7	150	0,10	2,80
ET2836H-332	3,3	100	0,07	3,00
ET2836H-182	1,8	40	0,05	4,00
ET2430V-392	3,9	150	0,15	1,80
ET2430V-332	3,3	100	0,11	2,00
ET2430V-242	2,4	95	0,09	2,50
ET2836V-353	35	650	0,78	1,00
ET2836V-253	25	500	0,56	1,20
ET2836V-203	20	400	0,41	1,50
ET2836V-123	12	300	0,27	1,80
ET2836V-802	8	200	0,18	2,00
ET2836V-562	5,6	150	0,13	2,50
ET2836V-472	4,7	150	0,10	2,80
ET2836V-332	3,3	100	0,09	3,00
ET2836V-182	1,8	40	0,05	4,00

Part Number	Nominal Inductance (mH) min.	Leakage Inductance (µH) Max	D.C.R. (Ω) Max	Rated Current (A) Max
UT2024-123	12	200	0,92	0,80
UT2024-622	6,2	150	0,5	1,00
UT2024-242	2,4	80	0,18	1,70
UT2024-601	0,6	40	0,06	3,00

Part Number	Nominal Inductance (mH) min.	Leakage Inductance (µH) Max	D.C.R. (Ω) Max	Rated Current (A) Max
ET2836H-353	35	650	0,78	1,00
ET2836H-253	25	500	0,56	1,20
ET2836H-203	20	400	0,41	1,50
ET2836H-123	12	300	0,27	1,80
ET2836H-802	8	200	0,18	2,00
ET2836H-562	5,6	200	0,13	2,50
ET2836H-472	4,7	150	0,10	2,80
ET2836H-332	3,3	100	0,07	3,00
ET2836H-182	1,8	40	0,05	4,00

Part Number	Nominal Inductance (mH) min.	Leakage Inductance (µH) Max	D.C.R. (Ω) Max	Rated Current (A) Max
ET3435V-333	33	900	0,42	1,60
ET3435V-223	22	700	0,29	1,80
ET3435V-183	18	500	0,23	2,00
ET3435V-153	15	450	0,21	2,20
ET3435V-123	12	350	0,17	2,50
ET3435V-103	10	300	0,13	2,70
ET3435V-822	8,2	300	0,11	3,00
ET3435V-562	5,6	250	0,08	3,50
ET3435V-472	4,7	200	0,06	4,00

ET / UT SERIES

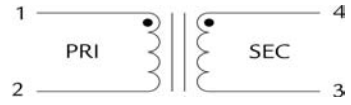
Common mode chokes with ET & UT cores

Common Mode Chokes

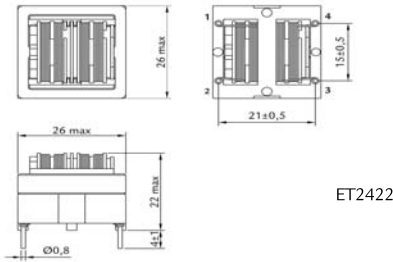
Technical information

- Max operating voltage: 250V at 40°C
- IDC Max: rating AC/DC current @ 40°C
- Hi-Pot: 2500Vac winding to winding, time 3 seconds.
- Insulation resistance: 100MW min / DC 500V
- Temperature rise: Max 40°C
- Inductance Testing: 10KHZ @ 100 mVac
- Operating temperature: -40°C to 105°C
- Storage temperature: -40°C to 105°C
- Resistance to soldering heat: 260°C for 10 seconds
- Mark: Part number + date code

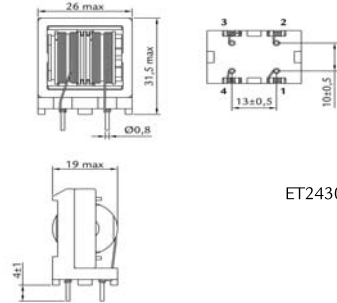
Electrical Schematic



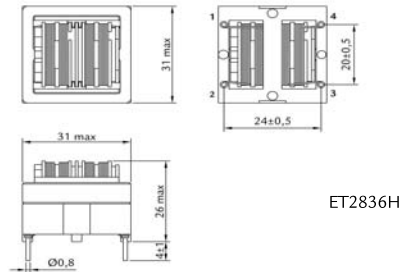
Dimensions (in mm)



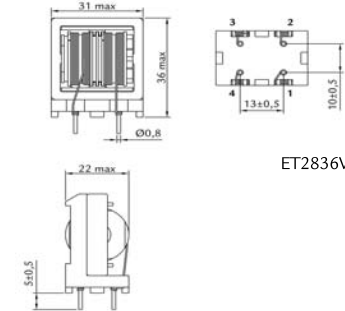
ET2422



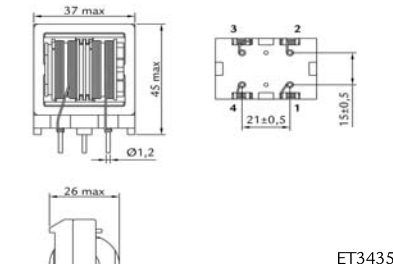
ET2430



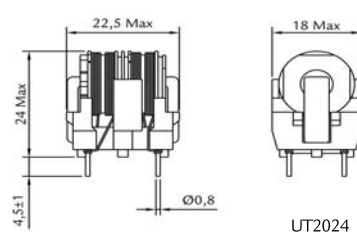
ET2836H



ET2836V



ET3435



UT2024