

RJ45+USB Stack 2.0 W/LED & Transformer (RoHS Compliant)

RJ3Z01Y2100001

1. FEATURES

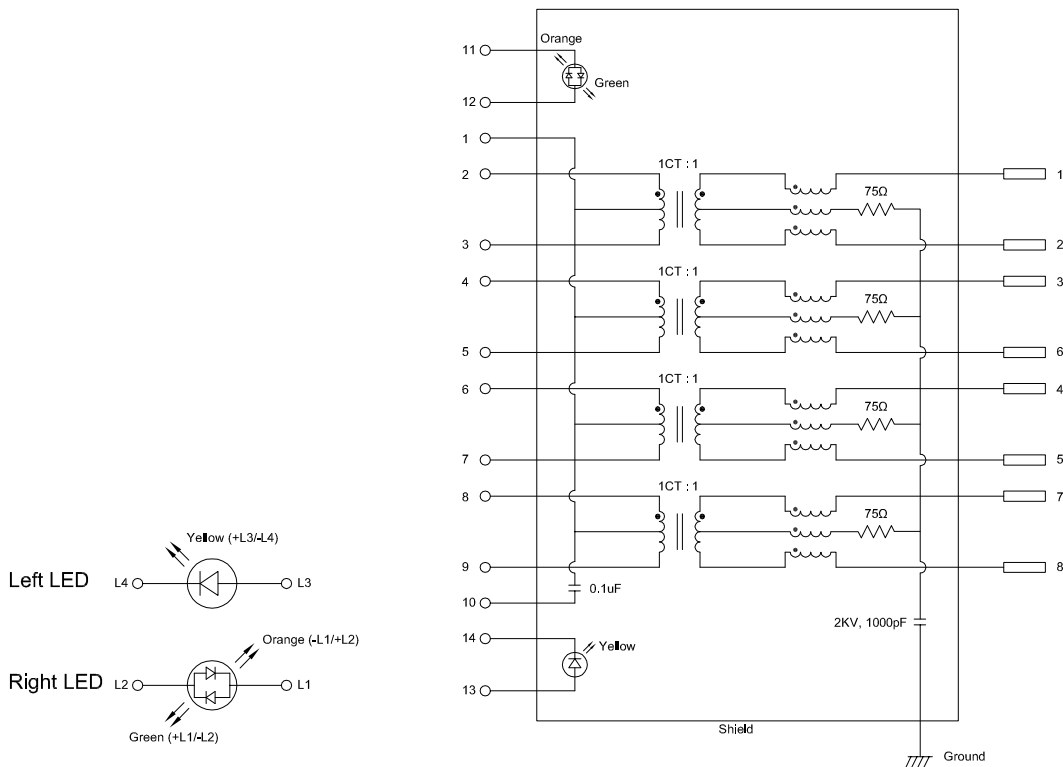
1. RJ45 comply with FCC Standard
2. Complies with requirement of IEEE802.3U Standards
3. RJ45 Connector with 1000 Base-TX magnetic
4. Includes intergrated 2 LEDS (optional). LED signal leads are isolated from the Ethernet signal signal leads to reduce EMI and cross talk
5. Comply with RoHS requirements
6. Operating Temperature range : 0°C to +70°C
7. Storage Temperature range : -25°C to +85°C

2. ELECTRICAL SPECIFICATIONS (AT 25°C)

OCL: 350uH @ 100KHz, 100mV/8mA DC bias

Turns Ratio	Insertion Loss (dB Max.)	Return Loss 100Ω±15Ω (dB Min.)						Cross Talk (dB Min.)			C.M.R. (dB Min.)			Hi-Pot (Vrms)
		1-30 MHz	40 MHz	50 MHz	60-80 MHz	100 MHz	30 MHz	60 MHz	100 MHz	30 MHz	60 MHz	100 MHz		
TD1/2/3/4	1-100 MHz	1-30 MHz	40 MHz	50 MHz	60-80 MHz	100 MHz	30 MHz	60 MHz	100 MHz	30 MHz	60 MHz	100 MHz	60Hz/1min	
1CT:1CT	-1.0	-18.0	-14.4	-13.1	-12.0	-10.0	-45.0	-40.0	-35.0	-40.0	-35.0	-30.0	1500	

3. SCHEMATIC :



RoHS Compliant

NOTE : Specifications subject to change without notice. Please check our website for latest information.

01.12.2008

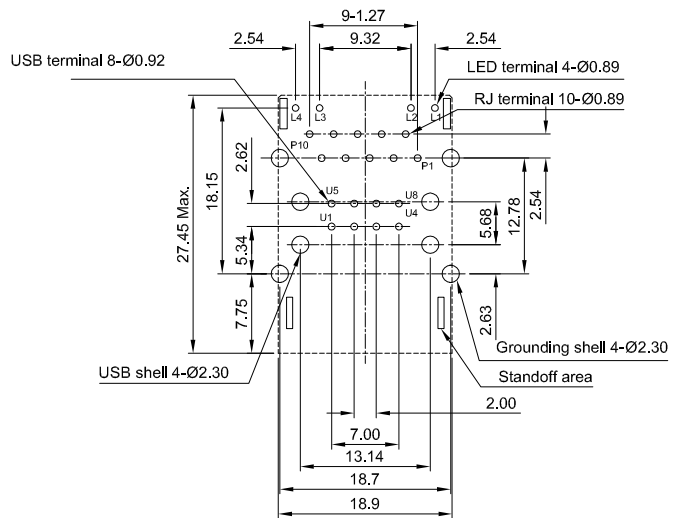
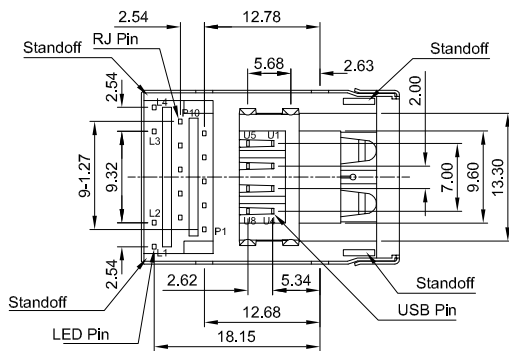
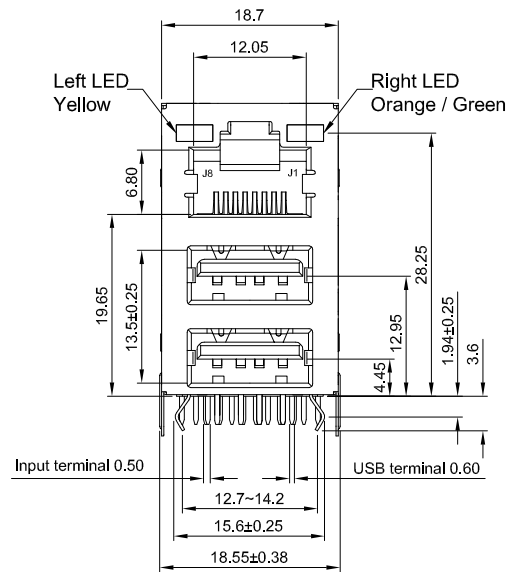
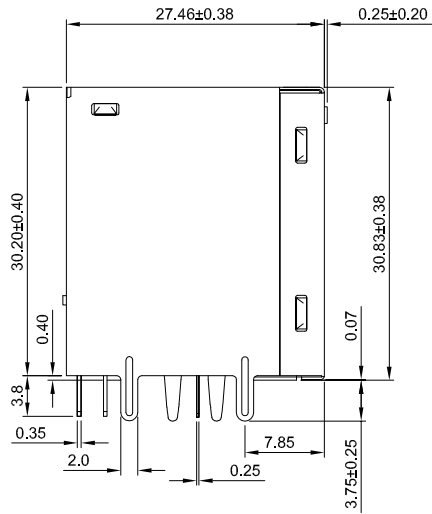


SUPERWORLD ELECTRONICS (S) PTE LTD

RJ45+USB Stack 2.0 W/LED & Transformer (RoHS Compliant)

RJ3Z01Y2100001

4. MECHANICAL DIMENSIONS : (mm)



Recommended PCB hole layout
Component side view (Tolerance : ±0.05)

Dimension Tolerances:

x.x = ±0.10
x.xx = ±0.05



RoHS Compliant

NOTE : Specifications subject to change without notice. Please check our website for latest information.

01.12.2008



SUPERWORLD ELECTRONICS (S) PTE LTD