

SPH-15 Series Supervised Horn Loudspeaker



Models Available

SPH-15R



Product Overview

25.0 and 70.7 Vrms dual voltage settings

Seven field-selectable watt/impedance selections

Double re-entrant design

Vertical and horizontal positioning

Suitable for life safety and communications

Available with red finish

System Sensor's SPH-15 series speakers combine performance, functionality, and flexibility.

Performance. Utilizing a high-efficiency compression driver, the SPH-15 loudspeaker is capable of projecting through high ambient sound levels typically found in warehouses, factory settings, and mechanical equipment rooms. The horn loudspeaker is equipped with a 7-position watt/impedance switch, providing for tap selection up to 15 watts RMS power handling capability.

Functionality. The SPH-15 is listed to UL 1480, and is designed to provide accurate reproduction of audible emergency and protective signals/messages. The SPH-15 is weather-resistant to provide protection against water, humidity, and corrosion.

Flexibility. The SPH-15 is equipped with a dual voltage transformer capable of operating on either 25.0 or 70.7 volts. A mounting bracket permits surface-mounting in either a horizontal or vertical position, allowing for directional sound dispersion, which maximizes sound projection and penetration.

Engineering Specifications

Supervised horn loudspeaker shall be System Sensor Model SPH-15__ dual-voltage transformer speaker capable of operating on either 25.0 or 70.7 volts. Loudspeaker shall be equipped with a 7-position watt/impedance switch, providing for tap selection up to 15 watts RMS. Loudspeaker shall have a frequency range of 400 - 4000 Hz, and shall operate in a temperature range of 32°-120°. Loudspeaker shall be listed to Underwriter Laboratories Standard 1480 for Fire Protective Signaling speakers.



Mechanical Specifications SPH-15 Series

Input Terminals

12 to 18 AWG

Electrical Specifications SPH-15 Series

Voltage Input

25.0 volts or 70.7 volts nominal

Sensitivity

102 dB at 15 watts, 10 ft.
(3 dB increment UL rating)

Dispersion Angle

70° (-6 dB, 2000 Hz octave band)

Frequency Range (UL)

400 to 4000 Hz

Operating Temperature Range

32° to 120°F (0° TO 49°C)

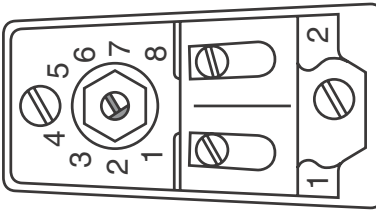
Power

15 watts (max.)

Simple Voltage, Power Selection, and Sound Output

Power Tap Selector Switch

Note: Terminal #2 is the positive terminal.



Sound Output (UL Reverberant)

Switch Position	Impedance	25 V Line	dB @ 10 ft.*	70 V Line	dB @ 10 Ft.*
1	5.0K	-	-	.9 W	93
2	2.5K	-	-	1.8 W	96
3	1.3K	.48 W	90	3.8 W	96
4	666	.94 W	90	7.5 W	99
5	333	1.8 W	93	15.0 W	102
6	89	7.5 W	99	-	-
7	45	15.0 W	102	-	-

Sound Output (Anechoic)

Frequency Response: 400 – 14,000 Hz (nominal)

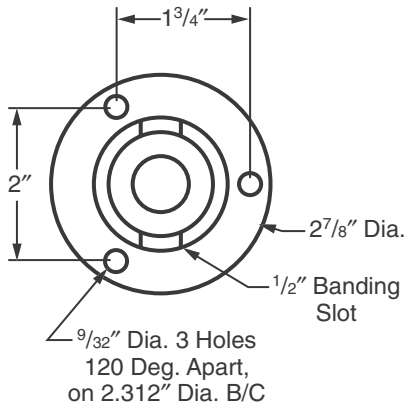
500 – 6,000 Hz (± 5 dB)

Sensitivity: 120 dB at 15 watts (peak) / 1 meter

116 dB at 15 watts / 1 meter (avg.) 500 – 6,000 Hz

106 dB 1 watt / meter (avg.) 500 – 6,000 Hz

Mounting Dimensions



Ordering Information

Color	Model	Description	Speaker Voltage
Red	SPH-15R	7 7/8" W x 8 3/4" H x 9 5/16" D	25.0/70.7 Vrms

System Sensor Sales and Service

System Sensor Headquarters

3825 Ohio Avenue
St. Charles, IL 60174
Ph: 800/SENSOR2
Fx: 630/377-6495
Documents-on-Demand
800/736-7672 x3
www.systemsensor.com

System Sensor Canada

Ph: 905.812.0767
Fx: 905.812.0771

System Sensor Europe

Ph: 44.1403.891920
Fx: 44.1403.891921

System Sensor in China

Ph: 86.29.524.6253
Fx: 86.29.524.6259

System Sensor in Singapore

Ph: 65.6273.2230
Fx: 65.6273.2610

System Sensor – Far East

Ph: 85.22.191.9003
Fx: 85.22.736.6580

System Sensor – Australia

Ph: 613.54.281.142
Fx: 613.54.281.172

System Sensor – India

Ph: 91.124.237.1770 x.2700
Fx: 91.124.237.3118

System Sensor – Russia

Ph: 70.95.937.7982
Fx: 70.95.937.7983