

FEATURES

- 3-way universal valves
- EPDM or FKM elastomer options
- 16 mm centreline spacing; ideal for manifold mounting
- Low internal volume
- Manifold sub-base; option of fluid connectors on single or multiple station assemblies



MEDIA COMPATIBILITY

Liquids and gases

WETTED MATERIALS

Elastomer: EPDM or FKM
Body/manifold: PEEK

ELECTRICAL

| | |
|------------------------------------|-------------------------------|
| Power | max. 3.4 W |
| Voltage | 12 or 24 V _{DC} ± 5% |
| Current/Resistance (Ω ±5% @ 21 °C) | |
| 12 V _{DC} | 286 mA / 42 Ω |
| 24 V _{DC} | 141 mA / 170 Ω |

PHYSICAL PROPERTIES

| | |
|-----------------------------|--|
| Operating environment | 4 to 66 °C |
| Storage temperature | -40 to 70 °C |
| Porting | manifold mount, 1/4-28 threaded ports |
| Weight (1/4-28 port option) | 62 g |
| Internal volume | |
| Manifold mount | 123.3 μl |
| 1/4-28 port | 213.3 μl |

PERFORMANCE CHARACTERISTICS

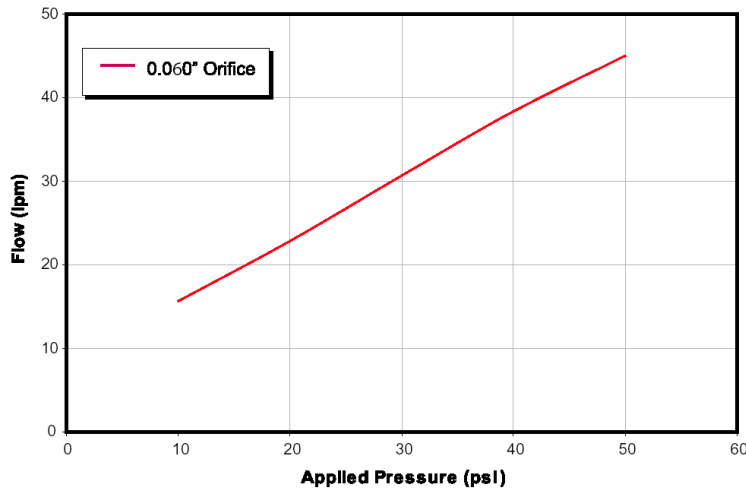
| Part no. | Pressure | Orifice size | Leak rate ¹ | Life cycles | Response |
|----------|-------------------------------|---------------------|-------------------------------|---------------------------------------|---------------------|
| LQX16... | Vacuum...50 psig (3.5 bar) | 0.060" (1.52 mm) | ≤0.016 sccm (@ 50 psi air) | 10 million (application dependent) | <20 msec cycling |

Note:

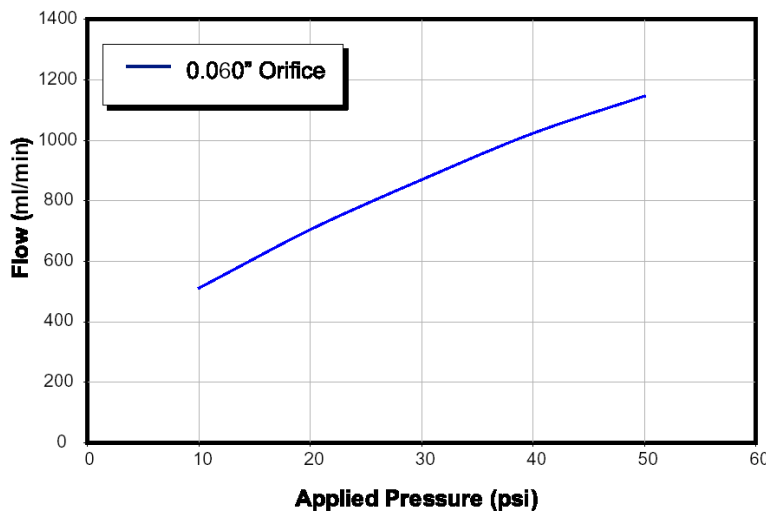
¹ sccm denotes Standard Cubic Centimeters per Minute. It is a unit for the flow rate at standard conditions of temperature and pressure.

FLOW CURVES

Typ. air flow

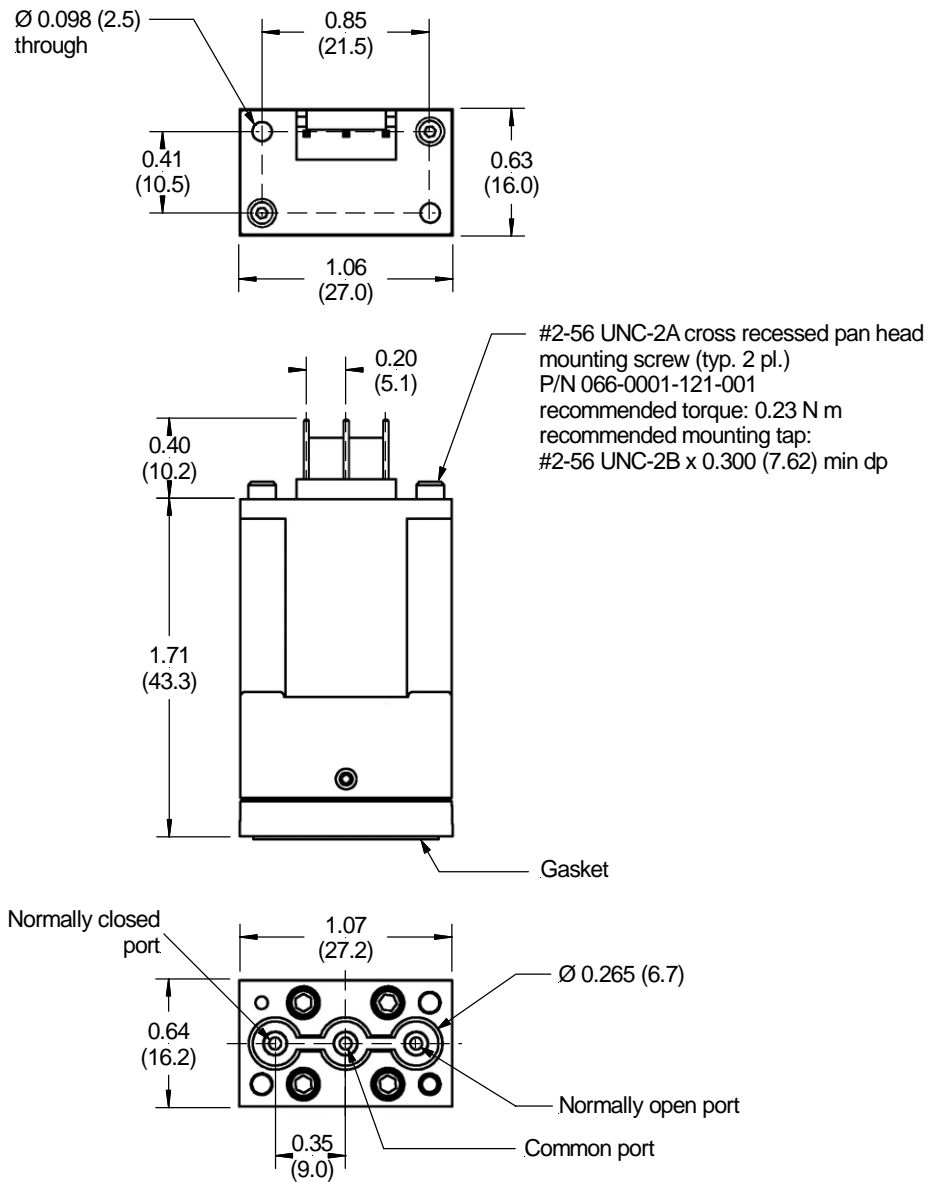


Typ. water flow



OUTLINE DRAWING

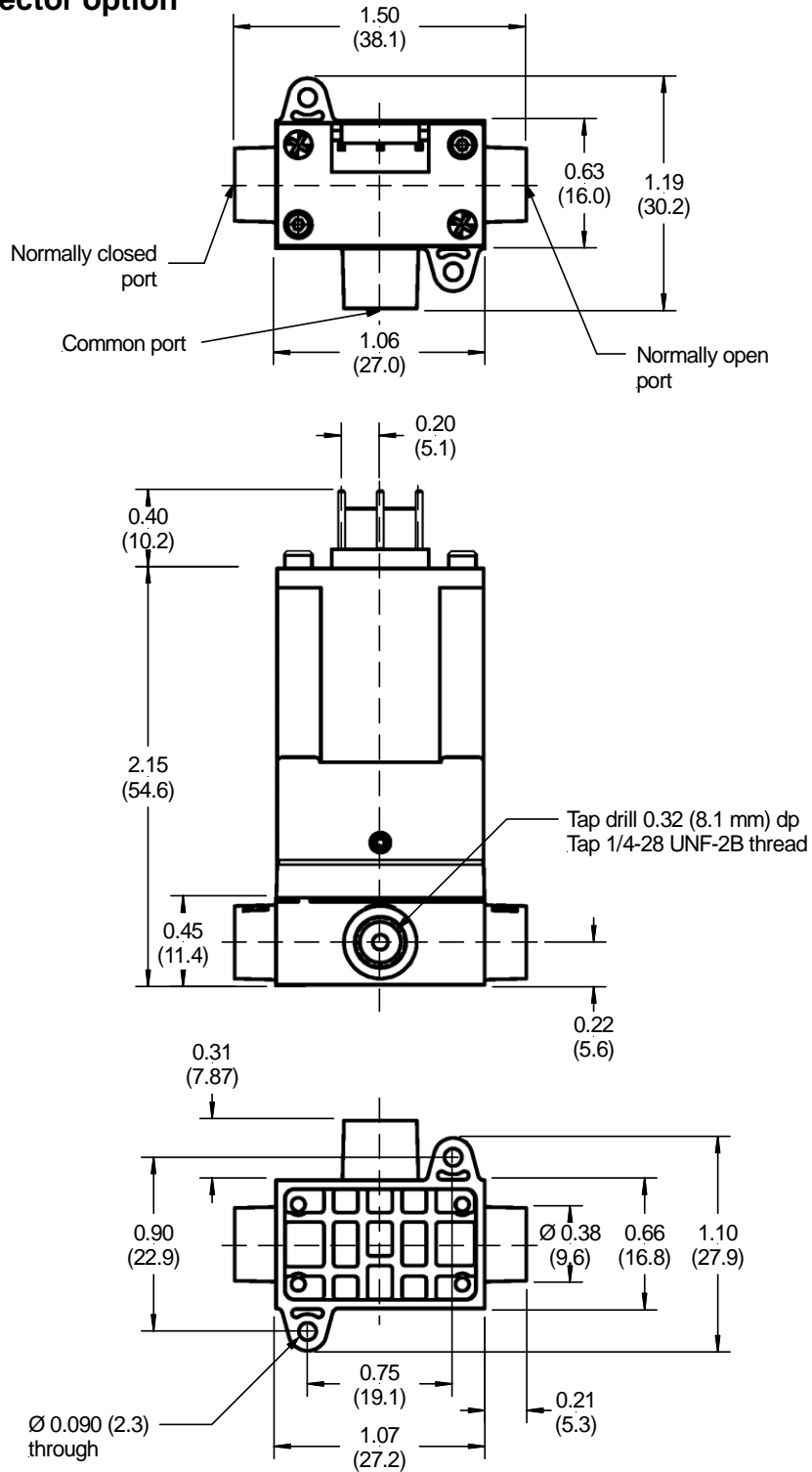
Face seal manifold sub-base option



dimensions in inches (mm)

OUTLINE DRAWING (cont.)

1/4-28 fluid connector option



dimensions in inches (mm)

LQX16

16 mm isolated diaphragm solenoid valves

ORDERING INFORMATION

| Options | Series | Configuration | | Voltage | | Elastomer | | Mounting style | | Electrical connection | |
|---------------------------------------|--------|---------------|----|---------|--------------------|--------------------|------|----------------|--------------|-----------------------|-----|
| | | LQX16 | 3W | 3-way | 12 | 12 V _{DC} | FK | FKM | FS | face seal | 000 |
| | | | | 24 | 24 V _{DC} | EP | EPDM | 48 | 1/4-28 ports | | |
| Example: LQX16 3W 12 FK FS 000 | | | | | | | | | | | |

Note: Not all combinations might be available.
Please contact your nearest Sensortechincs sales representative for further information.

Please order separately free of charge:

| Order No. | Description |
|----------------|----------------------------|
| 290-066-0128-1 | 24 inch lead wire assembly |

Sensortechincs reserves the right to make changes to any products herein. Sensortechincs does not assume any liability arising out of the application or use of any product or circuit described herein, neither does it convey any license under its patent rights nor the rights of others.