

Accessories

Torque supports for hollow shaft encoders

Z 119.076



Features

- Several graduated circle options for mounting on the intended surface
- For low-dynamic applications

Mounting description

Spring coupling mount is for low-dynamic applications. Mount Spring coupling at flange by help of the attached screws. Push encoder onto drive shaft and fix the torque support at the contact surface.

Part number

Z 119.076 Spring coupling for encoders with $\varnothing 58$ mm housing

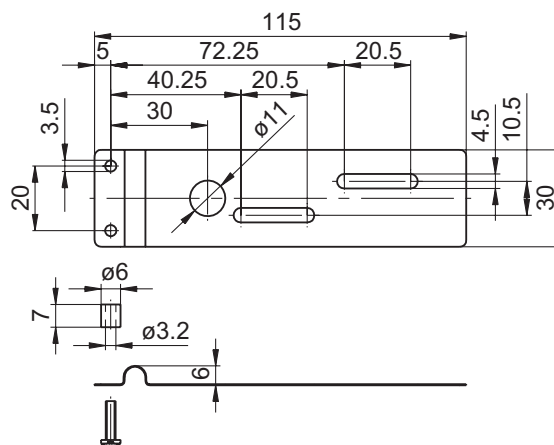
Scope of delivery

Included: spring coupling, two screws M3 x 12 with two spacer sleeves

Suitable for

GOAMH, GOM2H, G0MMH, G0P5H, GBAMH, GBAMS, GBMMH, GBMMS, GBP5H, GCM2S, GCMMS, GXA2S, GXM2S, GXM7S, GXMMS, GXP5S

Dimensions



Dimension

