

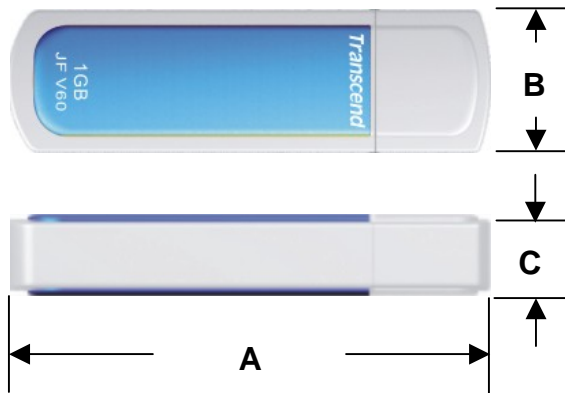
TS1GJFV60

1GB USB2.0 JetFlash™

Description

TS1GJFV60 is a 1GB USB Flash Drive with 1 pcs of 1Gx8 Flash (or 2 pcs of 512Mx8) Memory assembled on a printed circuit board.

Outline



Features

- Color: Blue
- USB 2.0 compatible, true Plug and Play
- Powered directly via the USB port. No external power or battery needed
- LED indicates the usage status of JetFlashV60
- JetFlash™ elite software pack includes (For Windows Me/2K/XP/Vista only):
 - Favorites Function: store all your favorite website addresses on the JetFlash™
 - AutoLogin Function: automatically login to websites where you have a password
 - Secret-Zip Function: compress and/or password protect saved files using AES encryption
 - PC-Lock Function: makes JetFlash™ a key to your computer
 - E-Mail Function: use your JetFlash™ to securely send, receive and save e-mails
 - DataBackup Function: backup, restore and synchronize your data

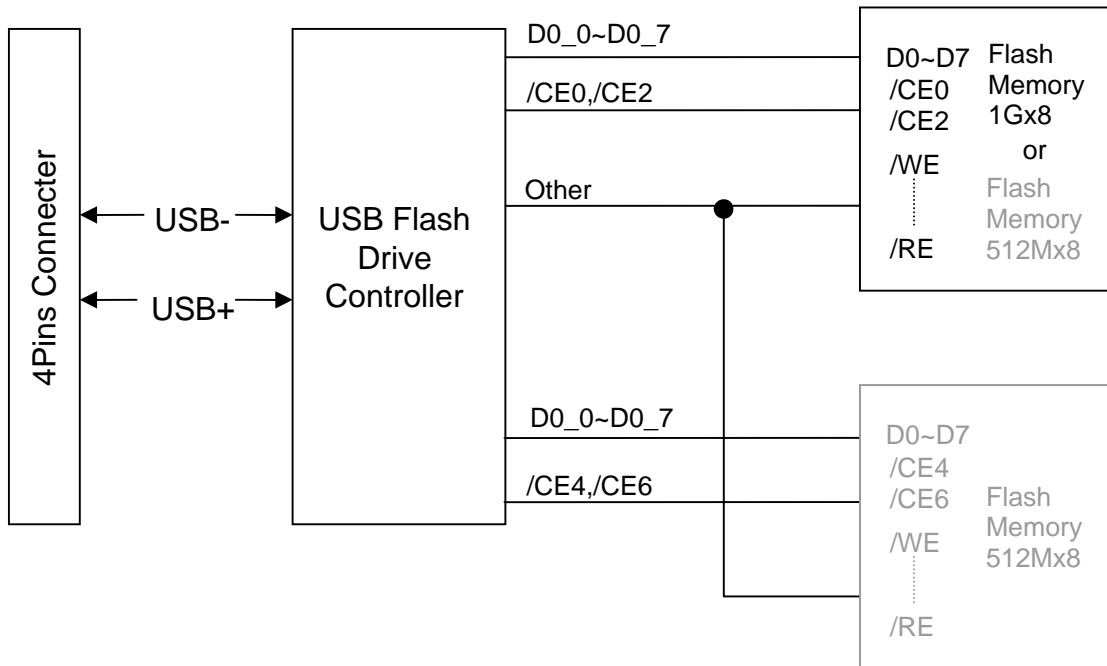
System Requirement

- Hardware: Desktop or notebook computer with USB port
- Operating System: Windows® 98SE, Windows® Me, Windows® 2000, Windows® XP, Windows® Vista and Mac™ OS 9.0 or later, Linux™ Kernel 2.4.2 or later

Dimensions

| Side | Millimeters | Inches |
|------|-------------|-------------|
| A | 61 ± 1.00 | 2.40 ± 0.04 |
| B | 18.6 ± 1.00 | 0.73 ± 0.04 |
| C | 9.8 ± 1.00 | 0.39 ± 0.04 |

Block Diagram



TS1GJFV60

1GB USB2.0 JetFlash™

Pinouts

| Pin No. | Pin Name |
|---------|----------|
| 01 | VCC |
| 02 | USB- |
| 03 | USB+ |
| 04 | VSS |

Pin Identification

| Symbol | Function |
|--------|---|
| USB- | USB differential signal: |
| USB+ | The pairs are used to transmit Data/Address/Command |
| VSS | Ground |
| VCC | USB power input |

Specifications

| | |
|----------------------|--|
| Storage Capacity | 1GB |
| Data Retention | 10 years |
| Erase Cycles | >10,000 times |
| Connector Durability | 10,000 times |
| System Performance | Read: 10MB/sec (max.), Write: 3MB/sec (max.) |
| Power Supply | DC 5V±10% via the USB port |
| Temperature Range | Operation: 0-70°C, Non-Operating: -40°C-85°C |
| Weight | 10g |
| Certificates | CE, FCC, BSMI |

TS1GJFV60

1GB USB2.0 JetFlash™

Absolute Maximum Ratings

| Symbol | Parameter | Rating | Unit |
|-------------------|-----------------------|-------------|------|
| V _{CC} | Power Supply | 4.5 to 5.5 | V |
| V _{IN} | Input Voltage | -0.3 to 3.6 | V |
| V _{CC18} | Internal Power Supply | -0.3 to 2.0 | V |

DC Characteristics: T_{OPR}=0°C~70°C ; V_{IN}=3.3V ; V_{CC18}=1.8V

| Symbol | Parameter | Min. | Max. | Units |
|--------------------------|--|--------------------|----------------------|-------|
| V _{IH} TTL | TTL Input High Voltage | 2 | V _{IN} +0.3 | V |
| V _{IL} TTL | TTL Input Low Voltage | -0.3 | 0.8 | V |
| V _{OH} TTL | TTL Output High Voltage | 0.9V _{IN} | | V |
| V _{OL} TTL | TTL Output Low Voltage | | 0.45 | V |
| I _{OH} TTL | TTL Output High Current | -4 | | V |
| I _{OL} TTL | TTL Output Low Current | | 4 | V |
| V _{IH} USB | USB Input High Voltage for Low-/full-speed | 2.0 | | V |
| V _{IL} USB | USB Input Low Voltage for Low-/full-speed | | 0.8 | V |
| V _I USB_DIFF | Differential Input Sensitivity for Low-/full-speed | TBD | | V |
| V _I USB_CM | Differential Common Mode Input Range for Low-/full-speed | 0.8 | 2.5 | V |
| V _I USB_HSSQ | USB High-speed squelch Input detection threshold | 0.1 | 0.15 | V |
| V _I USB_HSDSC | USB High-speed disconnect Input detection threshold | 0.525 | 0.625 | V |
| V _I USB_HSCM | USB High-speed Signaling Common Mode Range | -0.05 | 0.5 | V |
| V _{OH} USB | USB Output High Voltage for Low-/full-speed | 2.8 | 3.6 | V |
| V _{OL} USB | USB Output Low Voltage for Low-/full-speed | 0 | 0.3 | V |
| V _{OH} USB_HS | USB Output High Voltage for High-speed | 0.36 | 0.44 | V |
| V _{OL} USB_HS | USB Output Low Voltage for High-speed | -0.01 | 0.01 | V |
| I _{OH} USB | USB Output High Current for Low-/full-speed | -10 | | V |
| I _{OL} USB | USB Output Low Current for Low-/full-speed | | 10 | V |
| I _{OH} USB_HS | USB Output High Current for High-speed | 40 | | V |
| I _{OL} USB_HS | USB Output Low Current for High-speed | | 40 | V |

AC Characteristics:

| Symbol | Parameter | Min. | Typ. | Max. | Units |
|-------------------|----------------------|-----------------|-----------------|-----------------|-------|
| TP _{ILH} | Input Rising Delay | 0.61 (0.8pF) | 0.72 (2.4pF) | 0.92 (4.8pF) | ns |
| TP _{IHL} | Input Falling Delay | 0.88 (0.8pF) | 1.03 (2.4pF) | 1.24 (4.8pF) | ns |
| TP _{OLH} | Output Rising Delay | 2.40 (10pF) | 3.42 (30pF) | 4.88 C | ns |
| TP _{OHL} | Output Falling Delay | 2.61 (10pF) | 3.62 (30pF) | 5.03 (30pF) | ns |
| TR | Output Rising Time | 2.26 (10pF) | 4.45 (30pF) | 7.89 (30pF) | ns |
| TF | Output Falling Time | 1.90 (10pF) | 3.63 (30pF) | 6.23 (30pF) | ns |

Recommended Operating Conditions

| Symbol | Parameter | Min. | Typ. | Max. | Units |
|-------------------|-----------------------|------|------|------|-------|
| V _{CC} | Power Supply Voltage | 4.5 | 5 | 5.5 | V |
| V _{IN} | Input Voltage | 3.0 | 3.3 | 3.6 | V |
| V _{CC18} | Internal Power Supply | 1.62 | 1.8 | 1.98 | V |

Above technical information is based on industry standard data and tested to be reliable. However, Transcend makes no warranty, either expressed or implied, as to its accuracy and assumes no liability in connection with the use of this product. Transcend reserves the right to make changes in specifications at any time without prior notice.