

Conventional Crystal Filter

■ Features

This filter has a wide range of applications from carrier equipment to measuring instruments that require particularly high stability and high reliability. Careful consideration to design, part selection, and manufacturing, all ensure a highly stable and reliable filter.

SSB (Single Side Band) filters are widely used in such fields as marine communication and amateur radio communication.

- Stable temperature characteristics.
- Low insertion loss.
- Excellent ripple characteristics.



D-104



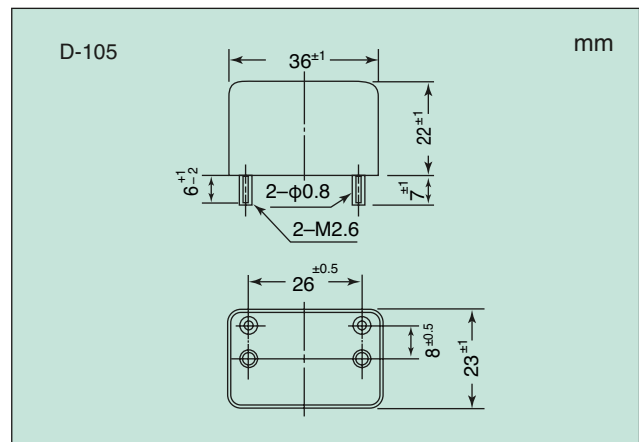
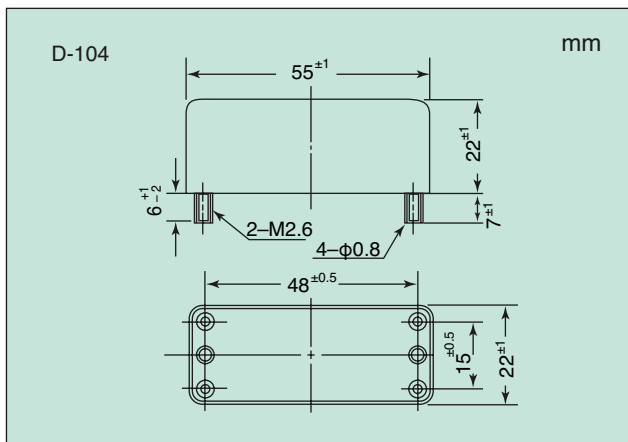
D-105

RoHS Compliant
Directive 2002/95/EC

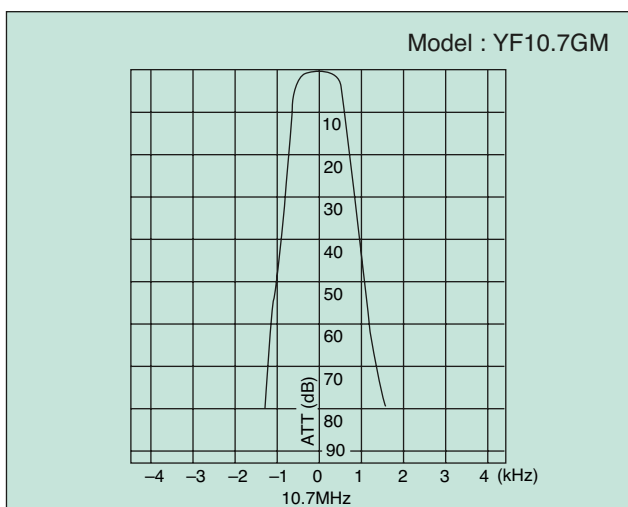
■ Specifications

Model	Nominal frequency (kHz)	Passband width		Stop bandwidth				Ripple (dB)	Insertion loss (insertion attenuation) (dB)	Terminating impedance (Ω //pF)	Operating temperature range ($^{\circ}$ C)	Package type
		(dB)	(kHz)	(dB)	(kHz)	(dB)	(kHz)					
YF10.0BP	10000	3	$\pm 1k$	60	$\pm 3k$	-	-	2	6	50//0	-20 to +60	D-105
YF10.7GM	10700	3	± 0.375	3	± 0.625	60	± 1.3	0.5	8	75//0	-10 to +60	D-104
YF10.7GL	10700	3	± 1.125	3	± 1.875	60	± 3	0.5	6	75//0	-10 to +60	D-104
YF10.7SH	10700	6	± 1.2	60	± 2.4	-	-	2	6	1k//33	-10 to +50	D-105

■ Dimensions



■ Characteristics



■ List of Codes for Placing an Order

Model	Code for placing an order
YF10.0BP	YF10.0BP-10000k-FN15-461
YF10.7GM	YF10.7GM-10700k-FN15-793
YF10.7GL	YF10.7GL-10700k-FN15-846
YF10.7SH	YF10.7SH-10700k-FN15-129