



CONNOR-WINFIELD
CORPORATION

AURORA, IL. 60505
PHONE (630) 851-4722
FAX (630) 851-5040

OSCILLATORS

WIDE DEVIATION
HIGH SPEED CMOS VCXO

SPECIFICATIONS	HV52-600		
Frequency Range	150KHz to 30MHz		
Frequency Stability	±50ppm (includes aging, temperature, power supply variation)		
Temperature Range	0°C to +70°C		
Output	Waveform	HCMOS Squarewave	
	Load	15pF	
	Voltage	Voh	4.5V Minimum
		Vol	0.4V Maximum
	Current	Ioh	-4.0mA
		Iol	4.0mA
	Duty Cycle	45/55 Typical , 40/60 Maximum	
Rise/Fall Time	6nS		
Frequency Control	Positive Transfer Characteristic		
Control Voltage	0.5Vdc to 4.5Vdc		
Deviation @25°C	±300ppm Minimum		
Center Frequency	2.5Vdc ±0.5Vdc		
Monotonic Linearity	< ±15%		
Input Impedance	50K ohms Minimum		
Modulation Bandwidth	≥ 15KHz		
Supply Voltage	+5Vdc ±5%		
Supply Current	10mA Typical , 20mA Maximum		
Package	All metal, hermetically sealed, welded package		

Specifications subject to change without notice

BULLETIN #: VX066
PAGE 1 OF 2

REV: 02
DATE: 4/18/95

ISSUED BY: _____



CONNOR-WINFIELD CORPORATION

AURORA, IL. 60505

PHONE (630) 851-4722

FAX (630) 851-5040

HIGH SPEED CMOS VCXO

EXAMPLE MODEL NUMBER:

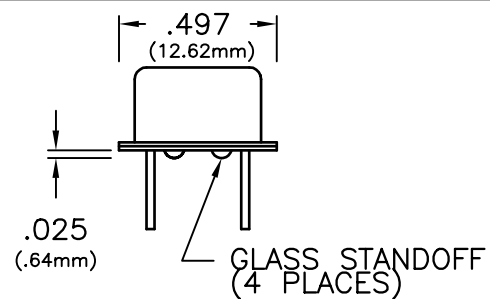
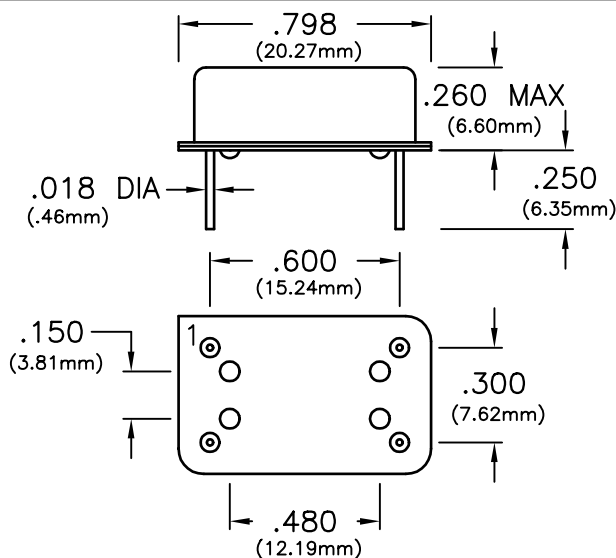
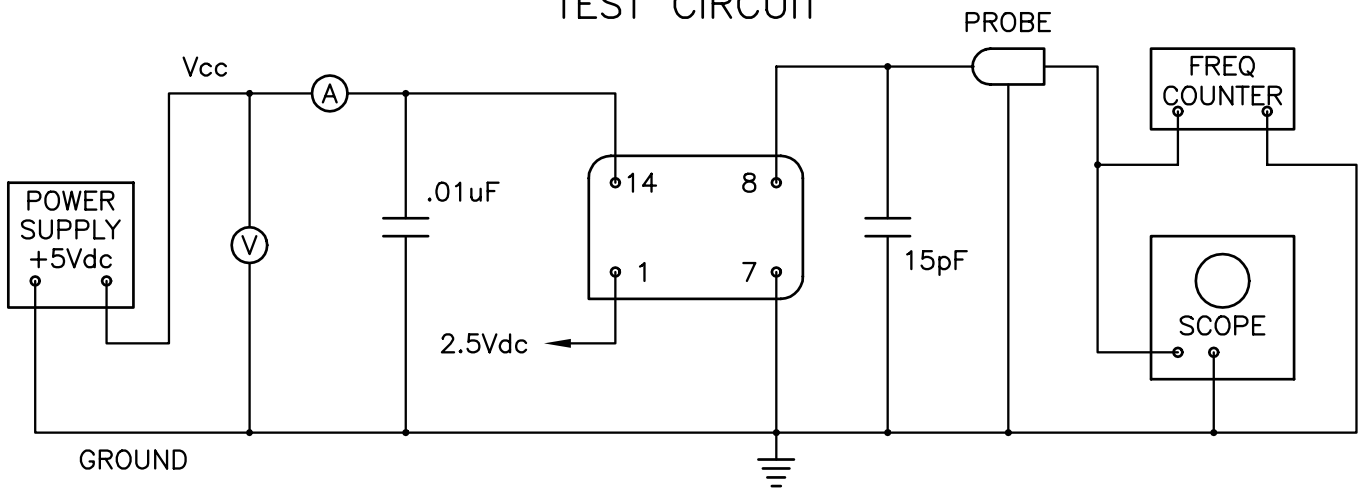
H V 5 2 - 6 0 0 / 1 2 . 3 5 2 M H z

VCXO SERIES

MINIMUM DEVIATION OF
±300ppm FROM 0.5
TO 4.5Vdc CONTROL
VOLTAGE.

CENTER FREQUENCY

TEST CIRCUIT



PIN	CONNECTION
1	CONTROL VOLTAGE
7	GROUND (CASE)
8	OUTPUT
14	(+) SUPPLY

Dimensional Tolerance ±.005

Specifications subject to change without notice

BULLETIN #: VX066
PAGE 2 OF 2

REV: 02
DATE: 4/18/95

ISSUED BY: _____