

# GOX80515

## DOUBLE STAR AC-DC CONVERTER

Over temperature switches  
Fan loss detection circuit  
Snubber for SCR's protections  
Extractible devices for easy field service

**LINE VOLTAGE UP TO 50V**

**DC OUTPUT CURRENT 15000 A**

### GOX80515

Line to line voltage		<b>50 V</b>
----------------------	--	-------------

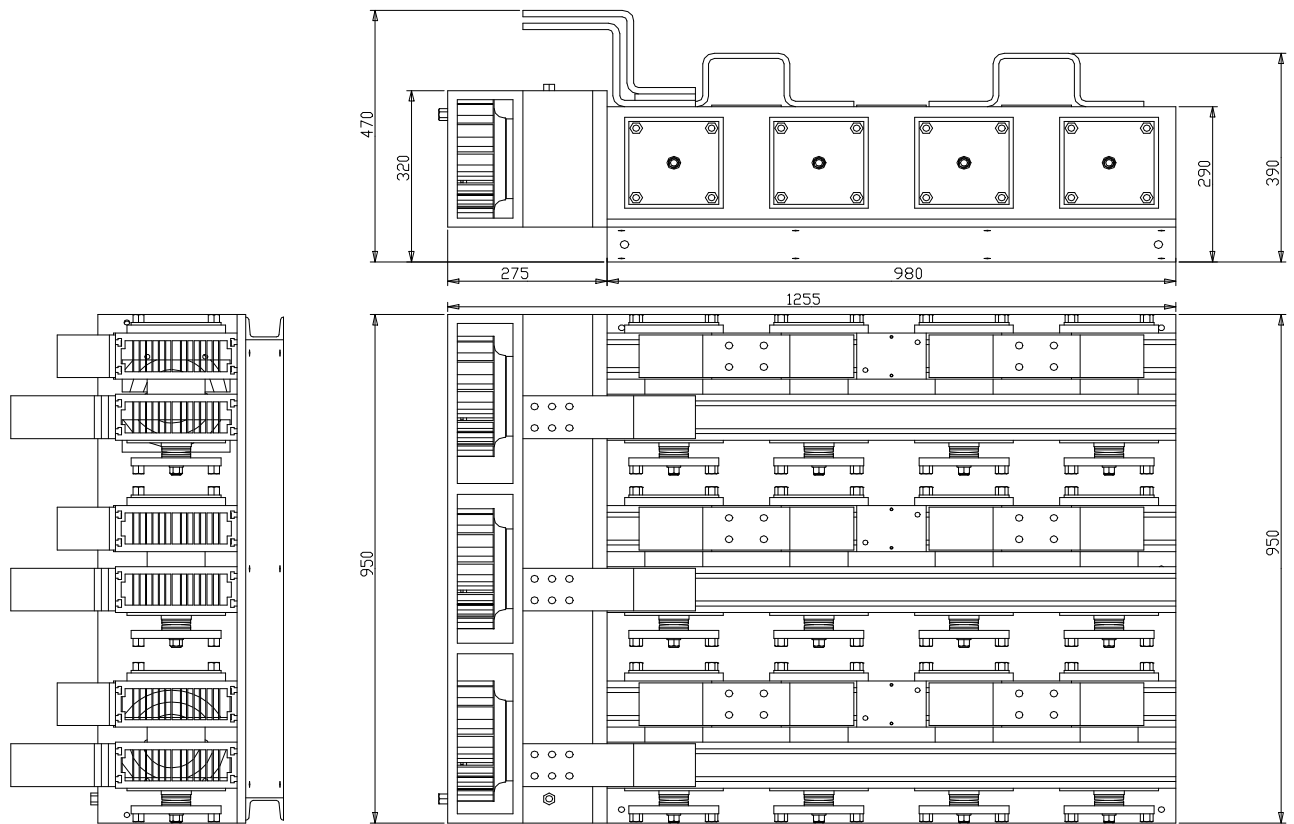
Characteristic		Conditions			Value
I <sub>DC</sub>	DC output current				15000 A
V <sub>INS</sub> (rms)	Insulation voltage				1000 V

### THYRISTOR CHARACTERISTICS

V <sub>GT</sub>	Gate trigger voltage	T <sub>j</sub> = 25 °C, V <sub>D</sub> = 5 V			3 V
I <sub>GT</sub>	Gate trigger current	T <sub>j</sub> = 25 °C, V <sub>D</sub> = 5 V			400 mA
dV/dt	Critical rate of rise off-state voltage	T <sub>j</sub> = 125 °C			1000 V/us
V <sub>RRM</sub>	Blocking Voltage	T <sub>j</sub> = 125 °C			200 V

### MECHANICAL AND THERMAL CHARACTERISTICS

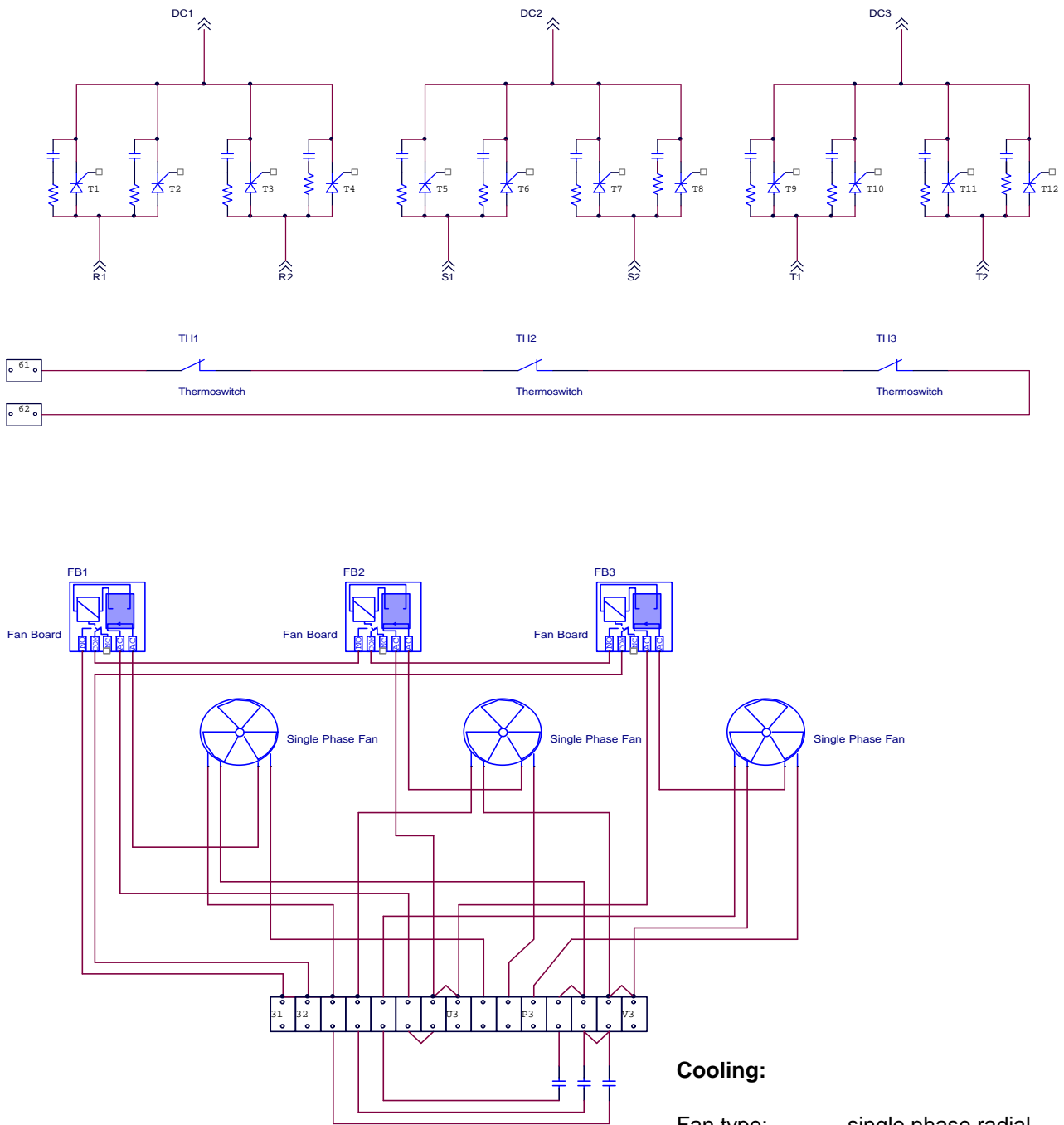
	Width				950 mm
	Depth				470 mm
	Height				1265 mm
	Mass				320 kg
T <sub>a max</sub>	Max amb. op. Temp.				40 °C
T <sub>stg</sub>	Storage temperature				-40/60 °C



The part numbering system is reported at the beginning of the Open Assembly section.

Customisations are available on request. Please contact factory.

In the interest of product improvement Green Power Solutions reserves the right to change any specification given in this data sheet without notice.



**Cooling:**

Fan type: single phase radial  
 Number of fans: 3  
 Voltage: 230 V  
 Current: 1 A (each)  
 Frequency: 50/60 Hz  
 Noise: 77 dBA

In the interest of product improvement Green Power Solutions reserves the right to change any specification given in this data sheet without notice.