

# DRAN I 20 SERIES

## FOR DC BACKUP SYSTEM

AC - DC DIN RAIL MOUNTABLE

120W

INDUSTRIAL CONTROL EQUIPMENT



### FEATURES

- COMPACT DESIGN
- SIMPLE IN APPLICATION
- LOW PRICING
- WORKABLE FOR BOTH POWER SUPPLY / DC BACKUP SYSTEM
- INPUT VOLTAGE 115/230VAC AUTO SELECT

### SELECTION CHART

## DRAN I 20 - 24 A \*

Wattage

12 : 13.6VOUT  
24 : 27.2VOUT  
48 : 54.5VOUT

DC Backup System

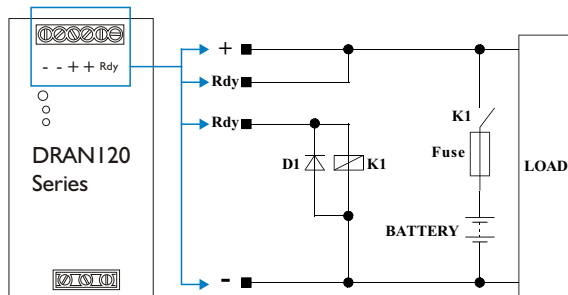
SCREW TERMINALS

### MODEL LIST

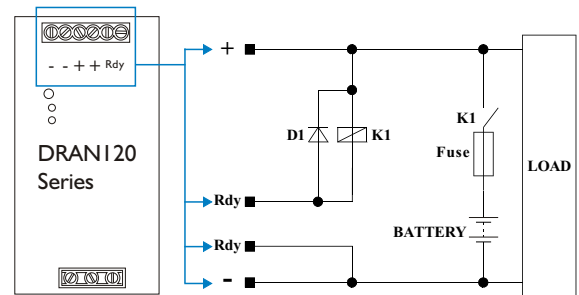
MODEL NO.	INPUT VOLTAGE	OUTPUT WATTAGE	OUTPUT VOLTAGE	OUTPUT CURRENT	EFF. (min.)	EFF. <sup>(1)</sup> (typ.)
-----------	---------------	----------------	----------------	----------------	-------------	----------------------------

#### Single Output Models

DRAN I 20-12A*	115 / 230 VAC	120 WATTS	+ 13.6 VDC	9A	82%	84%
DRAN I 20-24A*	115 / 230 VAC	120 WATTS	+ 27.2 VDC	4.4A	84%	86%
DRAN I 20-48A*	115 / 230 VAC	120 WATTS	+ 54.5 VDC	2.2A	85%	87%



DRAN I 20 Series For DC Backup System Application



DRAN I 20 Series For DC Backup System Application

Note :

1. The suffix "12" is part of the model number, which specifies the product is designed and pre-trim for low-cost DC backup power system with external Lead-Acid battery, Relay and Fuse.
2. The manufacturer is liable neither for the external components nor the damage to the power supply causing by external components.
3. The total consumption current including loading and battery charging current should not exceed the maximum rated current of power supply.
4. The operation concept of DC backup power system :
  - A. When AC power alive : The "Rdy" is close circuit to active the external Relay . The power supply feeds current into the external loads and charges through Relay to the external battery as well.
  - B. When AC power interrupted : The "Rdy" is remain close circuit to maintain the external Relay remain active, the external battery supply current to the external loads.
  - C. When Battery power low : The "Rdy" become open circuit and the external Relay become inactive to disconnect the battery from external loads.

## SPECIFICATION

All Specifications Typical At Nominal Line, Full Load, 25°C Unless Otherwise Noticed

GENERAL					
Characteristics	Conditions	min.	typ.	max.	unit
Isolation voltage	Input / Output	3,000			VAC
Isolation resistance	Input / Output, @ 500VDC	100			MΩ
Ambient temperature	Operating at Vi nom	-25		+ 71	°C
Derating	Vi nom, from +61 to +71°C			2.5	% / °C
Storage temperature	Non operational	-25		+ 85	°C
Relative humidity	Vi nom, lo nom	20		95	% RH
Dimension	Screw terminal type	L123.6 x W63.2 x D123.6			mm
Cooling	Free air convection				mm
Case material	Metal				

INPUT SPECIFICATIONS					
Characteristics	Conditions	min.	typ.	max.	unit
Rated input voltage	lo nom	115 / 230 (auto select)			VAC
Input voltage range	Ta min ... Ta max, lo nom	AC 115V selected	90	132	VAC
		AC 230V selected	186	264	VAC
		DC	210	370	VDC
Rated input current	lo nom		2.8 / 1.4		A
Line frequency	Vi nom, lo nom	47		63	Hz
Inrush current	Vi nom, lo nom	Vi : 115VAC		24	A
		Vi : 230VAC		48	A
P.F.C.	Vi : 230VAC, lo nom		0.7		

OUTPUT SPECIFICATIONS					
Characteristics	Conditions	min.	typ.	max.	unit
Output voltage accuracy (Adjusted before shipment)	Vi nom, lo max	-0		+ 1	%
Minimum load	Vi nom	0			%
Line regulation	lo nom, Vi min ... Vi max			± 0.5	%
Load regulation	Vi nom, lo min ... lo nom			± 1	%
Temperature coefficient	Vi nom, lo min			± 0.3	% / °C
Ripple & noise	Vi nom, lo nom, BW = 20MHz			50	mV
Hold up time	Vi nom, lo nom	Vi = 115VAC	25		ms
		Vi = 230VAC	30		ms
Voltage trim range	Vi nom, lo nom	12V models	11.4	14.5	VDC
		24V models	22.5	28.5	VDC
		48V models	45	55	VDC
Rdy Close / DC ON indicator threshold at start up	Vi nom, lo nom	12V models	10.4	11.4	VDC
		24V models	21.2	22.2	VDC
		48V models	42.8	43.8	VDC
Rdy Open / DC LOW indicator threshold after start up	Vi nom, lo nom	12V models	10.3	11.3	VDC
		24V models	21.1	22.1	VDC
		48V models	42.7	43.7	VDC

## SPECIFICATION

All Specifications Typical At Nominal Line, Full Load, 25°C Unless Otherwise Noticed

### CONTROL AND PROTECTION

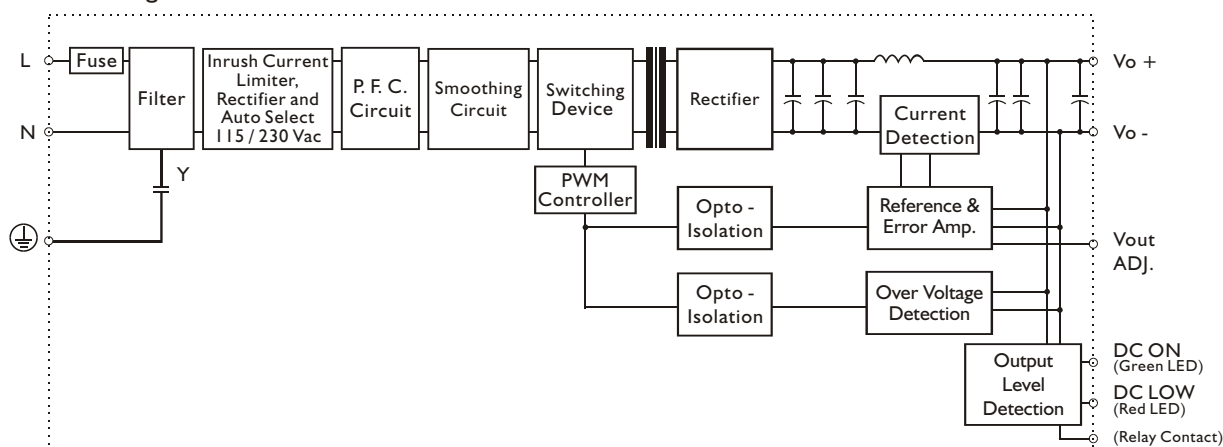
Characteristics	Conditions	min.	typ.	max.	unit
Input fuse		T3.15A / 250VAC internal			
Rated over load protection	$V_i$ nom	105		125	%
Over voltage protection	$V_i$ nom, $I_o$ nom	125		145	%
Output short circuit	$V_i$ nom, $I_o$ nom	Current limited			

### APPROVALS AND STANDARDS

UL / cUL	UL508 Listed, UL60950-I Recognized
TUV	EN60950-I
CE	EN61000-6-3, EN55022 class B, EN61000-3-2, EN61000-3-3 EN61000-6-2, EN55024

## CIRCUIT SCHEMATIC

• Block diagram for DRAN I20 series

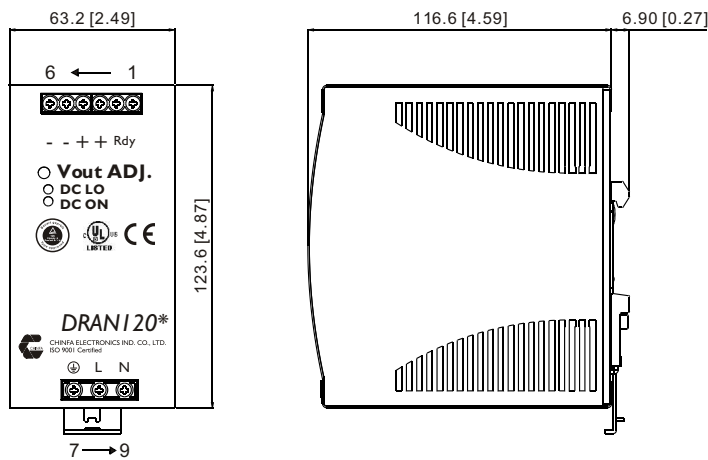


## PHYSICAL CHARACTERISTICS

CASE SIZE	
SCREW TERMINAL TYPE	123.6 x 63.2 x 123.6 mm 4.87 x 2.49 x 4.87 inches
WEIGHT	920g

## MECHANISM & PIN CONFIGURATION

mm [inch]



### CONSTRUCTION

Easy snap-on mounting onto the DIN-Rail (TS35/7.5 or TS35/15), unit sits safely and firmly on the rail.

### INSTALLATION

Ventilation / Cooling  
 Normal convection  
 All sides 25mm free space  
 For cooling recommended  
 Connector size range  
 Screw terminal:  
 10-24AWG flexible / solid cable,  
 8 m/m stripping at cable end recommends

## PIN ASSIGNMENT

PIN NO.	Designation	Description
1	RDY	A normal open relay contact for DC ON level control (Never connect except 24V model)
2	OUT	V +
3		V +
4		V -
5		V -
6	IN	⊕
7		L
8		N
9	OTHER	DC ON
		DC LO
		Vout ADJ.

## DERATING

