

Silicon PNP Power Transistors

2SA1491

DESCRIPTION

- With TO-3PN package
- Complement to type 2SC3855

APPLICATIONS

- Audio and general purpose

PINNING

PIN	DESCRIPTION
1	Base
2	Collector;connected to mounting base
3	Emitter

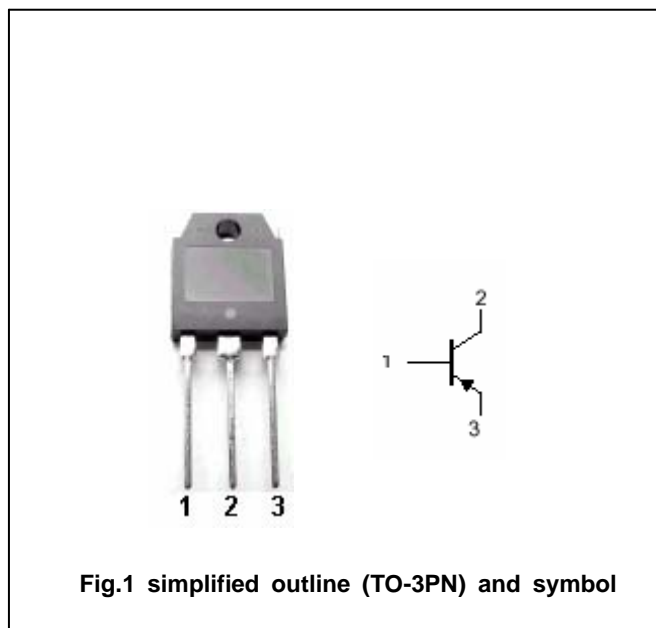


Fig.1 simplified outline (TO-3PN) and symbol

Absolute maximum ratings(Ta=°C)

SYMBOL	PARAMETER	CONDITIONS	VALUE	UNIT
V_{CBO}	Collector-base voltage	Open emitter	-140	V
V_{CEO}	Collector-emitter voltage	Open base	-140	V
V_{EBO}	Emitter-base voltage	Open collector	-6	V
I_C	Collector current		-10	A
I_B	Base current		-4	A
P_C	Collector power dissipation	$T_C=25^\circ\text{C}$	100	W
T_j	Junction temperature		150	°C
T_{stg}	Storage temperature		-55~150	°C

Silicon PNP Power Transistors

2SA1491

CHARACTERISTICS

T_j=25°C unless otherwise specified

SYMBOL	PARAMETER	CONDITIONS	MIN	TYP.	MAX	UNIT
V _{(BR)CEO}	Collector-emitter breakdown voltage	I _C =-50mA ; I _B =0	-140			V
V _{CEsat}	Collector-emitter saturation voltage	I _C =-5A; I _B =-0.5A			-2.0	V
I _{CBO}	Collector cut-off current	V _{CB} =-140V; I _E =0			-100	μ A
I _{EBO}	Emitter cut-off current	V _{EB} =-6V; I _C =0			-100	μ A
h _{FE}	DC current gain	I _C =-3A ; V _{CE} =-4V	50			
f _T	Transition frequency	I _C =0.5A ; V _{CE} =-12V		20		MHz

Switching times

t _{on}	Turn-on time	I _C =-5A; R _L =12 Ω I _{B1} =- I _{B2} =-0.5A V _{CC} =60V		0.30		μ s
t _s	Storage time			0.90		μ s
t _f	Fall time			0.20		μ s

Silicon PNP Power Transistors

2SA1491

PACKAGE OUTLINE

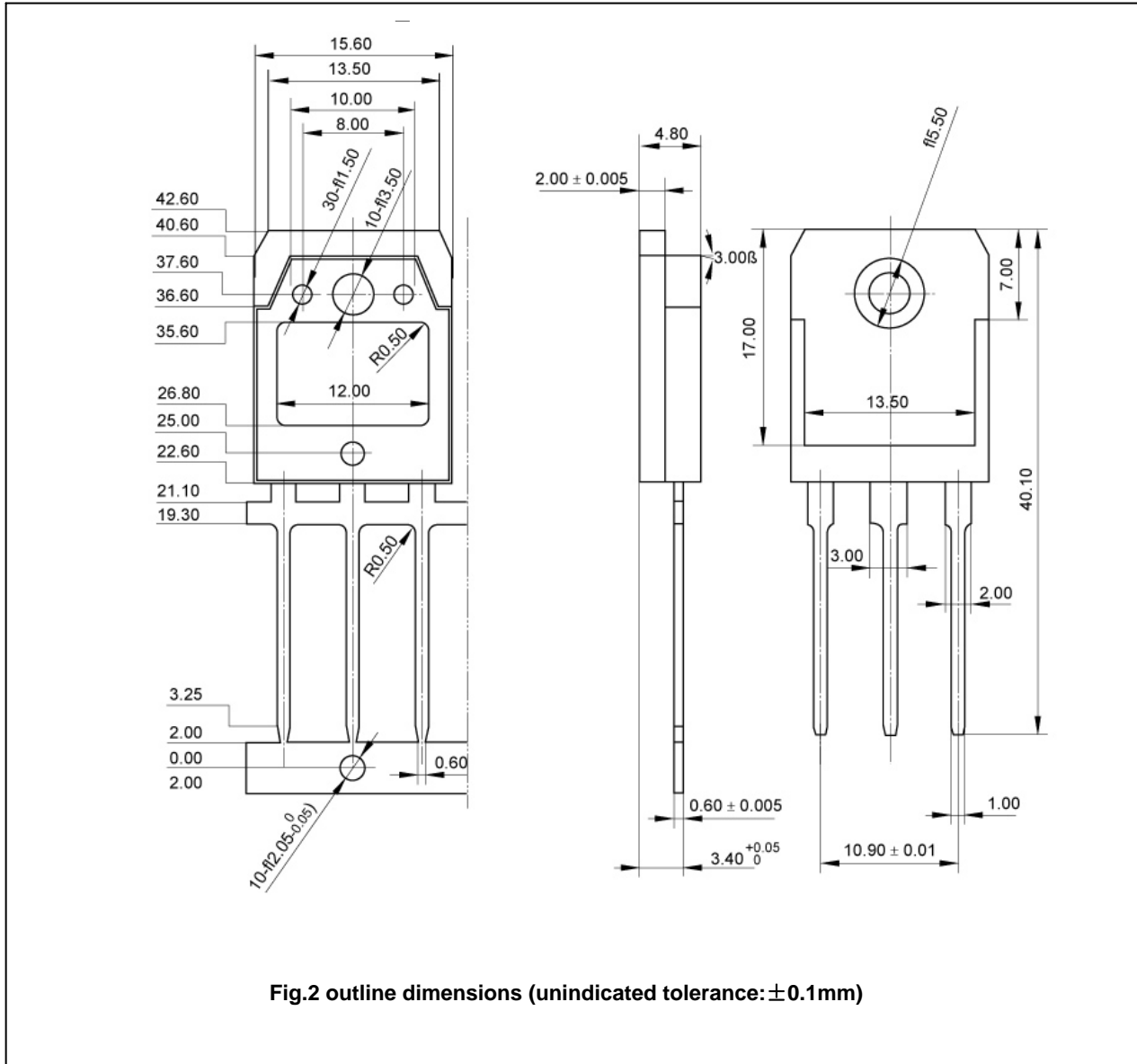


Fig.2 outline dimensions (unindicated tolerance: ±0.1mm)

Silicon PNP Power Transistors

2SA1491

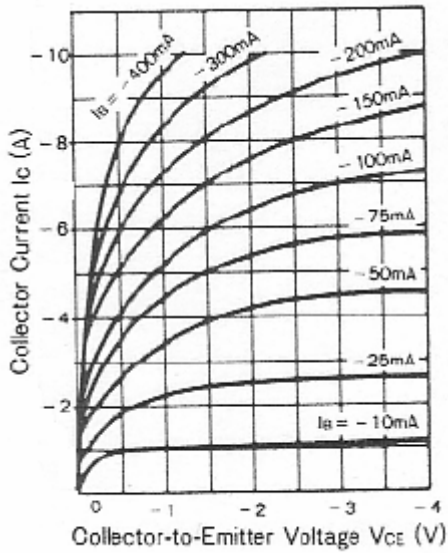


Fig.3 Static Characteristic

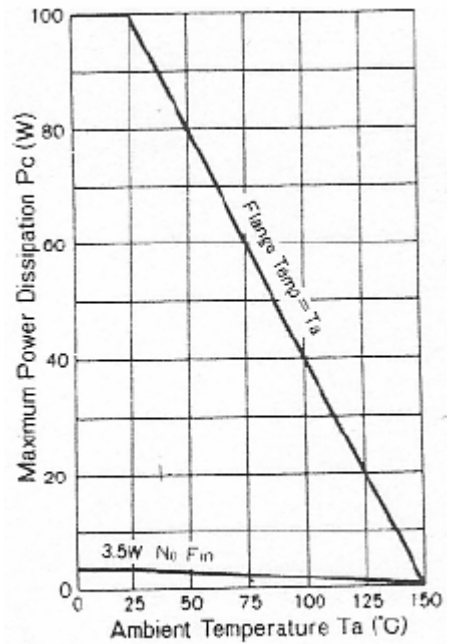


Fig.4 Power Derating

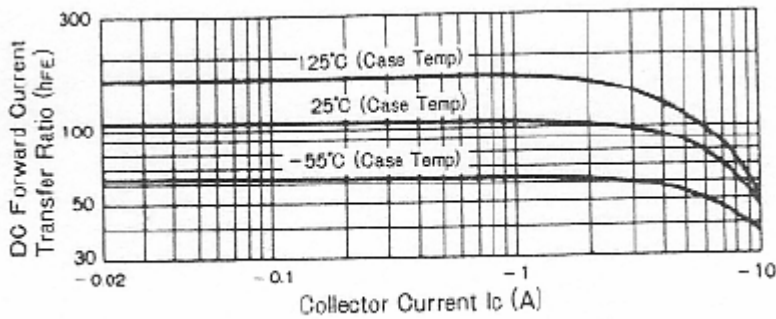


Fig.5 DC current Gain

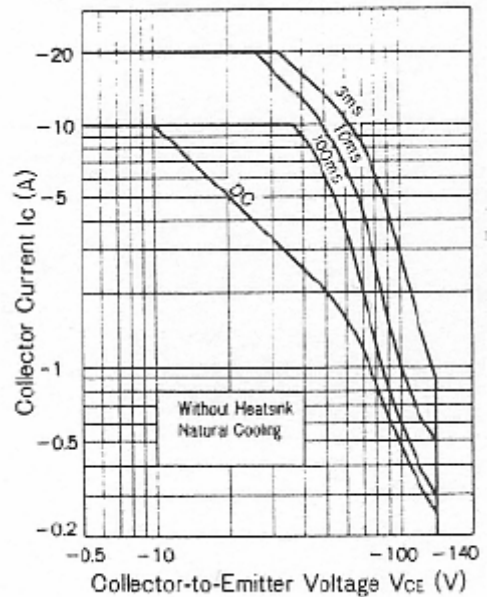


Fig.6 Safe Operating Area