

isc Silicon NPN Power Transistor

BU2720AX

DESCRIPTION

- Collector-Emitter Sustaining Voltage-  
:  $V_{CEO(SUS)} = 825V$  (Min)
- High Switching Speed

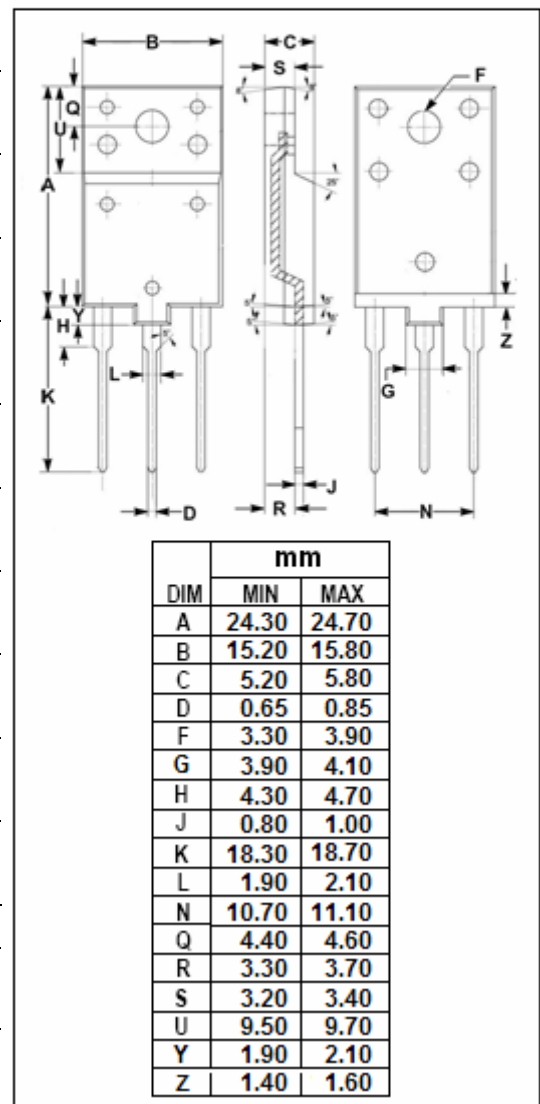
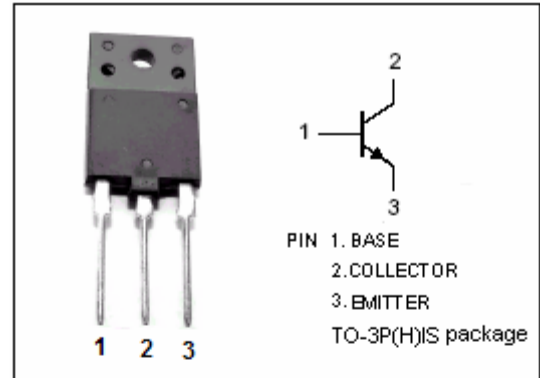
APPLICATIONS

- Designed for use in horizontal deflection circuits of color TV receivers.

ABSOLUTE MAXIMUM RATINGS( $T_a=25^{\circ}C$ )

SYMBOL	PARAMETER	VALUE	UNIT
$V_{CES}$	Collector- Emitter Voltage( $V_{BE} = 0$ )	1700	V
$V_{CEO}$	Collector-Emitter Voltage	825	V
$V_{EBO}$	Emitter-Base Voltage	7.5	V
$I_C$	Collector Current- Continuous	10	A
$I_{CM}$	Collector Current-Peak	25	A
$I_B$	Base Current- Continuous	10	A
$I_{BM}$	Base Current-Peak	14	A
$P_C$	Collector Power Dissipation @ $T_C=25^{\circ}C$	45	W
$T_J$	Junction Temperature	150	$^{\circ}C$
$T_{stg}$	Storage Temperature Range	-65~150	$^{\circ}C$

SYMBOL	PARAMETER	MAX	UNIT
$R_{th j-c}$	Thermal Resistance, Junction to Case	2.8	$^{\circ}C/W$



## isc Silicon NPN Power Transistor

## BU2720AX

## ELECTRICAL CHARACTERISTICS

 $T_C=25^{\circ}\text{C}$  unless otherwise specified

SYMBOL	PARAMETER	CONDITIONS	MIN	TYP.	MAX	UNIT
$V_{CE(SUS)}$	Collector-Emitter Sustaining Voltage	$I_C=100\text{mA}; I_B=0, L=25\text{mH}$	825			V
$V_{(BR)EBO}$	Emitter-Base Breakdown Voltage	$I_E=1\text{mA}; I_C=0$	7.5			V
$V_{CE(sat)}$	Collector-Emitter Saturation Voltage	$I_C=5.5\text{A}; I_B=1.38\text{A}$			1.0	V
$V_{BE(sat)}$	Base-Emitter Saturation Voltage	$I_C=5.5\text{A}; I_B=1.38\text{A}$			1.0	V
$I_{CES}$	Collector Cutoff Current	$V_{CE}=1500\text{V}; V_{BE}=0$ $V_{CE}=1500\text{V}; V_{BE}=0; T_C=125^{\circ}\text{C}$			1.0 2.0	mA
$I_{EBO}$	Emitter Cutoff Current	$V_{EB}=7.5\text{V}; I_C=0$			1.0	mA
$h_{FE-1}$	DC Current Gain	$I_C=0.1\text{A}; V_{CE}=5\text{V}$		22		
$h_{FE-2}$	DC Current Gain	$I_C=5.5\text{A}; V_{CE}=1\text{V}$	4		7.5	

## Switching times

$t_{stg}$	Storage Time	$I_C=5.5\text{A}, L_C=750\mu\text{H};$ $C_{fb}=15.5\text{nF}; V_{CC}=125\text{V};$ $I_{B(end)}=1.2\text{A}; L_B=6\mu\text{H}; -V_{BB}=4\text{V};$ $-I_{BM}=I_{CM}/2$			8.5	$\mu\text{s}$
$t_f$	Fall Time				0.9	$\mu\text{s}$