

Memory FRAM

CMOS

2 M Bit (256 K × 8)

MB85R2001

■ DESCRIPTIONS

The MB85R2001 is an FRAM (Ferroelectric Random Access Memory) chip consisting of 262,144 words x 8 bits of non-volatile memory cells created using ferroelectric process and silicon gate CMOS process technologies.

The MB85R2001 is able to retain data without using a back-up battery, as is needed for SRAM.

The memory cells used in the MB85R2001 can be used for at least 10^{10} read/write operations, which is a significant improvement over the number of read and write operations supported by Flash memory and E²PROM.

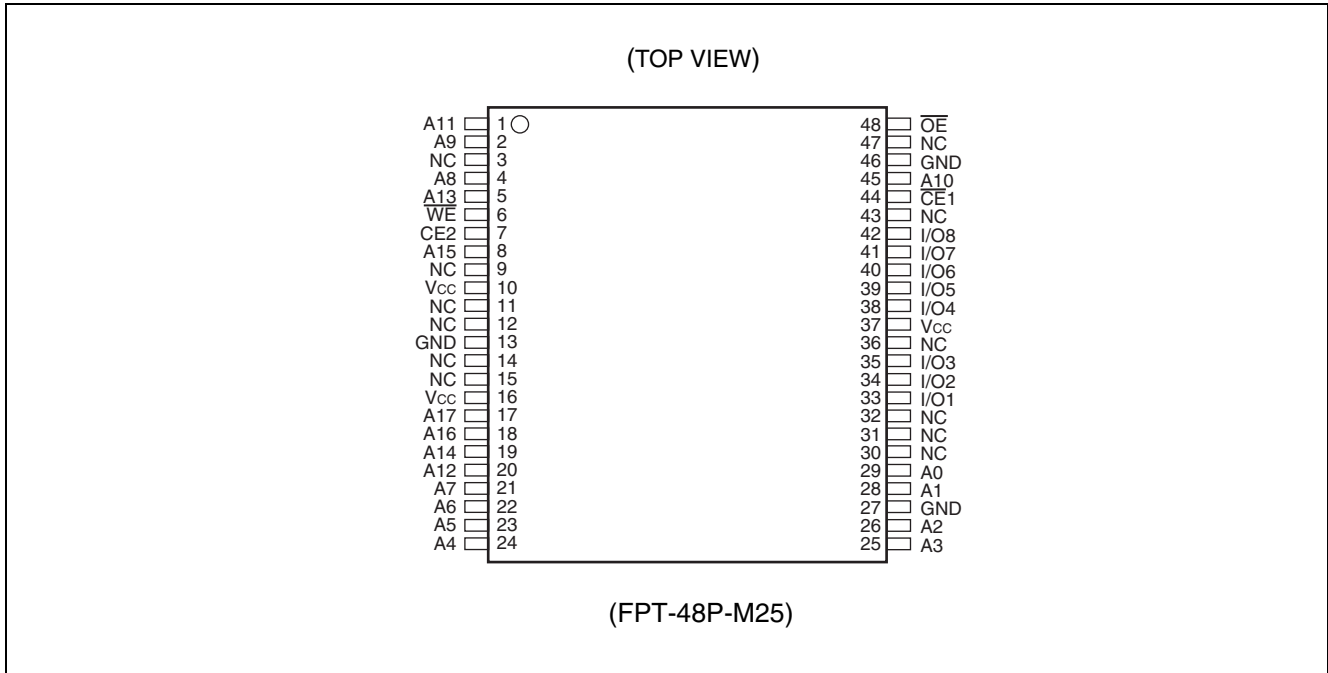
The MB85R2001 uses a pseudo-SRAM interface that is compatible with conventional asynchronous SRAM.

■ FEATURES

- Bit configuration : 262,144 words × 8 bits
- Read/write endurance : 10^{10} times/bit (Min)
- Operating power supply voltage : 3.0 V to 3.6 V
- Operating temperature range : - 20 °C to + 85 °C
- Data retention : 10 years (+ 55 °C)
- Package : 48-pin plastic TSOP (1)

MB85R2001

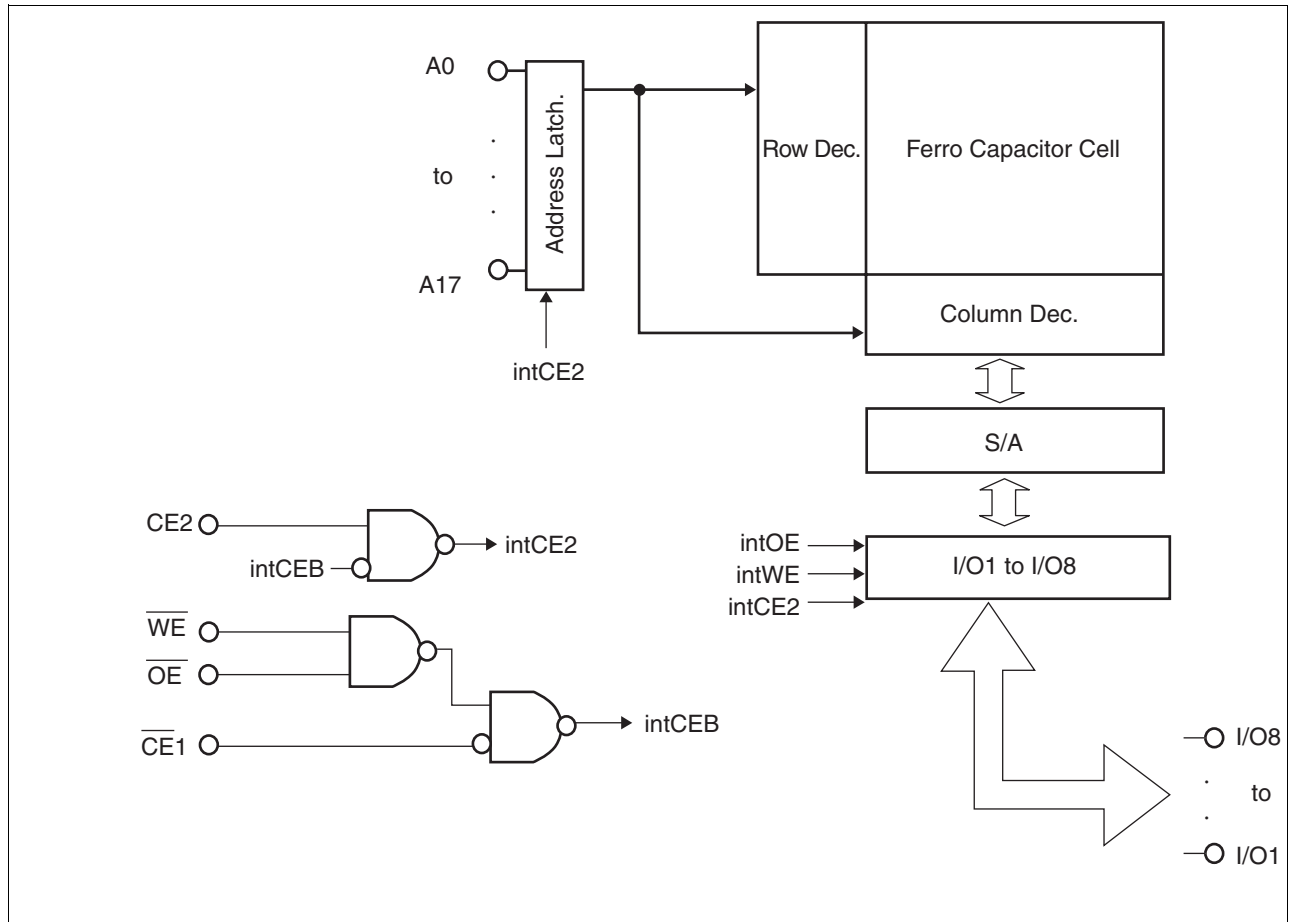
■ PIN ASSIGNMENTS



■ PIN DESCRIPTIONS

Pin name	Function
A0 to A17	Address Input
I/O1 to I/O8	Data Input/Output
$\overline{CE}1$	Chip Enable 1 Input
CE2	Chip Enable 2 Input
\overline{WE}	Write Enable Input
\overline{OE}	Output Enable Input
Vcc	Power Supply
GND	Ground
NC	No Connection

■ BLOCK DIAGRAM



MB85R2001

■ FUNCTION TRUTH TABLE

Operation Mode	$\overline{CE1}$	CE2	\overline{WE}	\overline{OE}	I/O1 to I/O8	Supply Current
Standby Pre-charge	H	X	X	X	High-Z	Standby (I_{SB})
	X	L	X	X		
	X	X	H	H		
Read	$\overline{\downarrow}$ L	H \uparrow	H	L	Dout	Operation (I_{CC})
Read (Pseudo-SRAM, \overline{OE} control*1)	L	H	H	$\overline{\downarrow}$		
Write	$\overline{\downarrow}$ L	H \uparrow	L	H	Din	
Write (Pseudo-SRAM, \overline{WE} control*2)	L	H	$\overline{\downarrow}$	H		

L = V_{IL} , H = V_{IH} , X can be either V_{IL} or V_{IH} , High-Z = High Impedance

$\overline{\downarrow}$: Latch address and latch data at falling edge, \uparrow : Latch address and latch data at rising edge

*1 : \overline{OE} control of the Pseudo-SRAM means the valid address at the falling edge of \overline{OE} to read.

*2 : \overline{WE} control of the Pseudo-SRAM means the valid address and data at the falling edge of \overline{WE} to write.

■ ABSOLUTE MAXIMUM RATINGS

Parameter	Symbol	Rating		Unit
		Min	Max	
Supply Voltage*	V_{CC}	-0.5	+4.0	V
Input Voltage*	V_{IN}	-0.5	$V_{CC}+0.5$	V
Output Voltage*	V_{OUT}	-0.5	$V_{CC}+0.5$	V
Ambient Operating Temperature	T_A	-20	+85	°C
Storage Temperature	T_{stg}	-40	+125	°C

* : All voltages are referenced to GND = 0 V.

WARNING: Semiconductor devices can be permanently damaged by application of stress (voltage, current, temperature, etc.) in excess of absolute maximum ratings. Do not exceed these ratings.

■ RECOMMENDED OPERATING CONDITIONS

Parameter	Symbol	Value			Unit
		Min	Typ	Max	
Supply Voltage*	V_{CC}	3.0	3.3	3.6	V
Input Voltage (high)*	V_{IH}	$V_{CC} \times 0.8$	—	$V_{CC} + 0.5$	V
Input Voltage (low)*	V_{IL}	-0.5	—	+0.8	V
Operating Temperature	T_A	-20	—	+85	°C

* : All voltages are referenced to GND = 0 V.

WARNING: The recommended operating conditions are required in order to ensure the normal operation of the semiconductor device. All of the device's electrical characteristics are warranted when the device is operated within these ranges.

Always use semiconductor devices within their recommended operating condition ranges. Operation outside these ranges may adversely affect reliability and could result in device failure.

No warranty is made with respect to uses, operating conditions, or combinations not represented on the data sheet. Users considering application outside the listed conditions are advised to contact their FUJITSU representatives beforehand.

MB85R2001

■ ELECTRICAL CHARACTERISTICS

1. DC CHARACTERISTICS

(within recommended operating conditions)

Parameter	Symbol	Test Condition	Value			Unit
			Min	Typ	Max	
Input Leakage Current	I_{Lil}	$V_{IN} = 0\text{ V to }V_{CC}$	—	—	10	μA
Output Leakage Current	I_{Lol}	$V_{OUT} = 0\text{ V to }V_{CC}$, $\overline{CE1} = V_{IH}$ or $\overline{OE} = V_{IH}$	—	—	10	μA
Supply Current	I_{CC}	$\overline{CE1} = 0.2\text{ V}$, $CE2 = V_{CC}-0.2\text{ V}$, $I_{OUT} = 0\text{ mA}^{*1}$	—	10	15	mA
Standby Current	I_{SB}	$\overline{CE1} \geq V_{CC}-0.2\text{ V}$	—	10	50	μA
		$CE2 \leq 0.2\text{ V}^{*2}$				
		$\overline{OE} \geq V_{CC}-0.2\text{ V}$, $\overline{WE} \geq V_{CC}-0.2\text{ V}^{*2}$				
Output Voltage (high)	V_{OH}	$I_{OH} = -0.1\text{ mA}$	$V_{CC} \times 0.8$	—	—	V
Output Voltage (low)	V_{OL}	$I_{OL} = 2.0\text{ mA}$	—	—	0.4	V

*1 : During the measurement of I_{CC} , the Address, Data In were taken to only change once per active cycle.
 I_{OUT} : output current

*2 : All pins other than setting pins should be input at the CMOS level voltages such as $H \geq V_{CC} - 0.2\text{ V}$, $L \leq 0.2\text{ V}$.

2. AC CHARACTERISTICS

• AC TEST CONDITIONS

Supply Voltage	: 3.0 V to 3.6 V
Operating Temperature	: -20 °C to +85 °C
Input Voltage Amplitude	: 0.3 V to 2.7 V
Input Rising Time	: 5 ns
Input Falling Time	: 5 ns
Input Evaluation Level	: 2.0 V / 0.8 V
Output Evaluation Level	: 2.0 V / 0.8 V
Output Impedance	: 50 pF

(1) Read Operation

(within recommended operating conditions)

Parameter	Symbol	Value		Unit
		Min	Max	
Read Cycle Time	t_{RC}	150	—	ns
$\overline{CE1}$ Active Time	t_{CA1}	120	—	ns
\overline{OE} Active Time	t_{RP}	120	—	ns
Pre-charge Time	t_{PC}	20	—	ns
Address Setup Time	t_{AS}	5	—	ns
Address Hold Time	t_{AH}	50	—	ns
\overline{OE} Setup Time	t_{ES}	5	—	ns
Output Hold Time	t_{OH}	0	—	ns
Output Set Time	t_{LZ}	30	—	ns
$\overline{CE1}$ Access Time	t_{CE1}	—	100	ns
CE2 Access Time	t_{CE2}	—	100	ns
\overline{OE} Access Time	t_{OE}	—	100	ns
Output Floating Time	t_{OHZ}	—	20	ns

(2) Write Operation

(within recommended operating conditions)

Parameter	Symbol	Value		Unit
		Min	Max	
Write Cycle Time	t_{WC}	150	—	ns
$\overline{CE1}$ Active Time	t_{CA1}	120	—	ns
CE2 Active Time	t_{CA2}	120	—	ns
Pre-charge Time	t_{PC}	20	—	ns
Address Setup Time	t_{AS}	5	—	ns
Address Hold Time	t_{AH}	50	—	ns
Write Pulse Width	t_{WP}	120	—	ns
Data Setup Time	t_{DS}	0	—	ns
Data Hold Time	t_{DH}	50	—	ns
Write Setup Time	t_{WS}	5	—	ns

MB85R2001

(3) Power ON/OFF Sequence

(within recommended operating conditions)

Parameter	Symbol	Value			Unit
		Min	Typ	Max	
$\overline{CE}1$ level hold time for Power OFF	t_{pd}	85	—	—	ns
$\overline{CE}1$ level hold time for Power ON	t_{pu}	85	—	—	ns

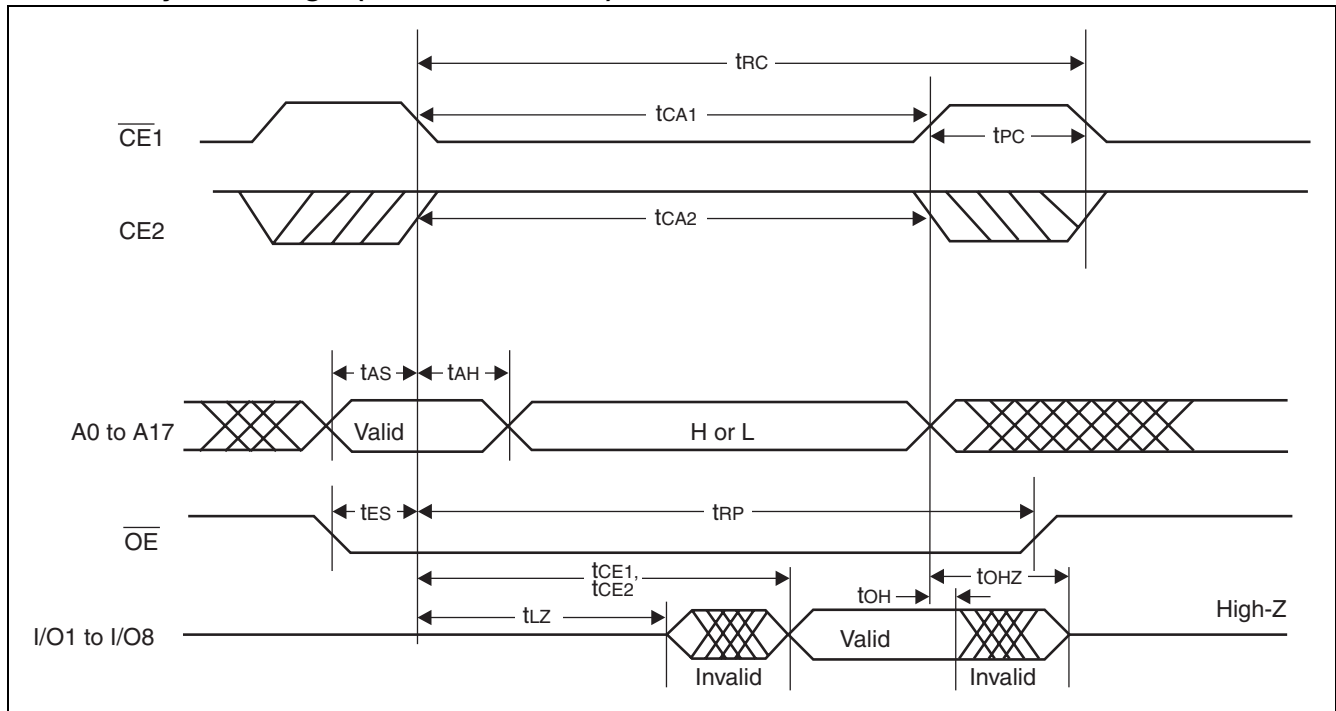
3. Pin Capacitance

(f = 1 MHz, T_A = +25 °C)

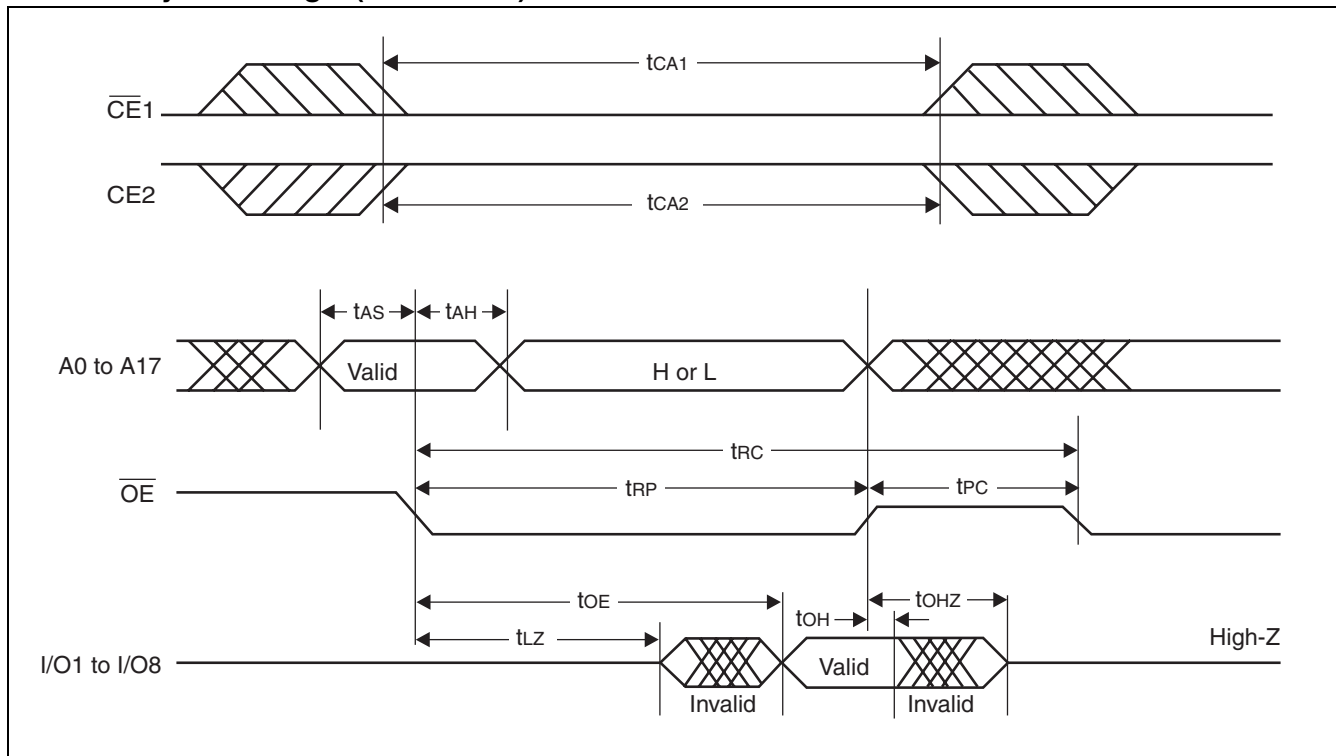
Parameter	Symbol	Test Condition	Value			Unit
			Min	Typ	Max	
Input Capacitance	C _{IN}	V _{IN} = GND	—	—	10	pF
Output Capacitance	C _{OUT}	V _{OUT} = GND	—	—	10	pF

■ TIMING DIAGRAMS

1. Read Cycle Timing 1 ($\overline{CE1}$, CE2 Control)

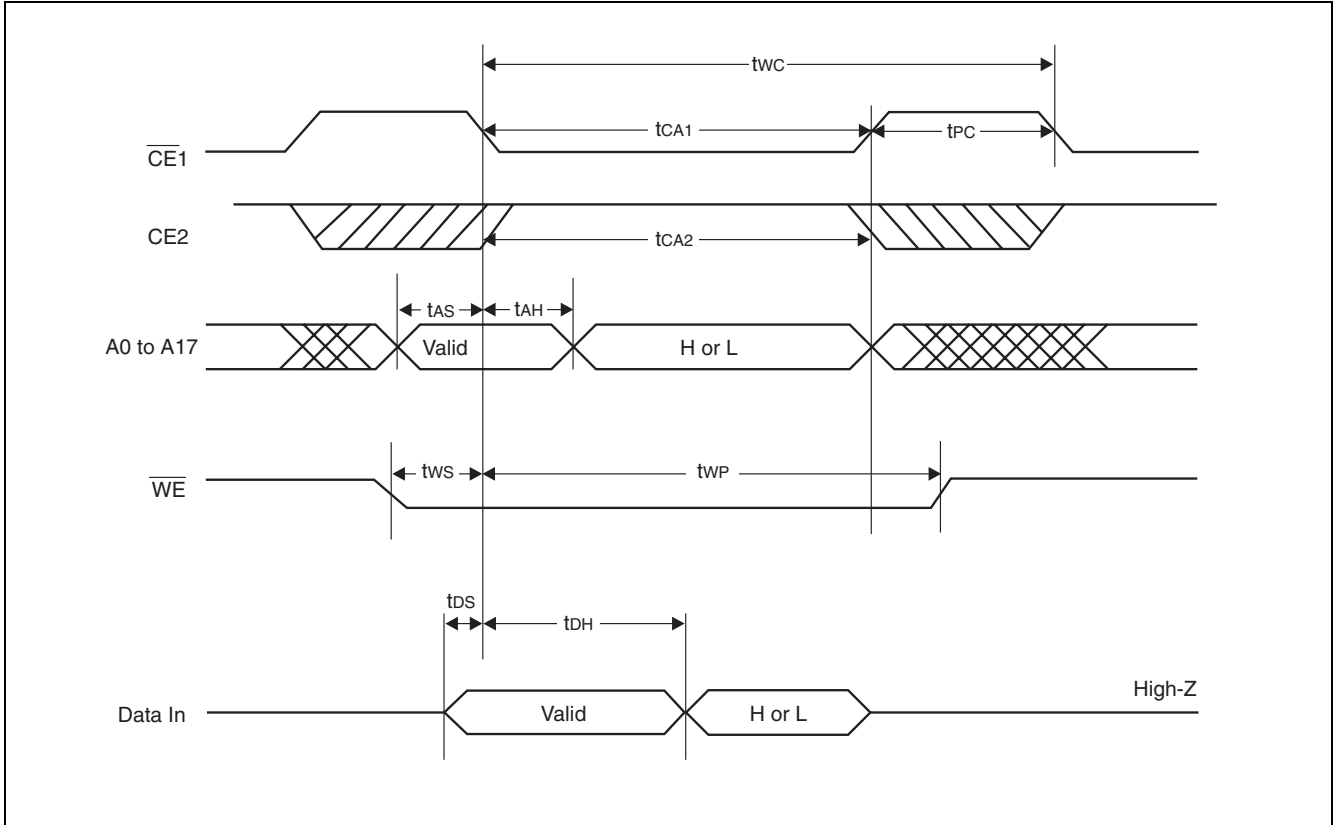


2. Read Cycle Timing 2 (\overline{OE} Control)

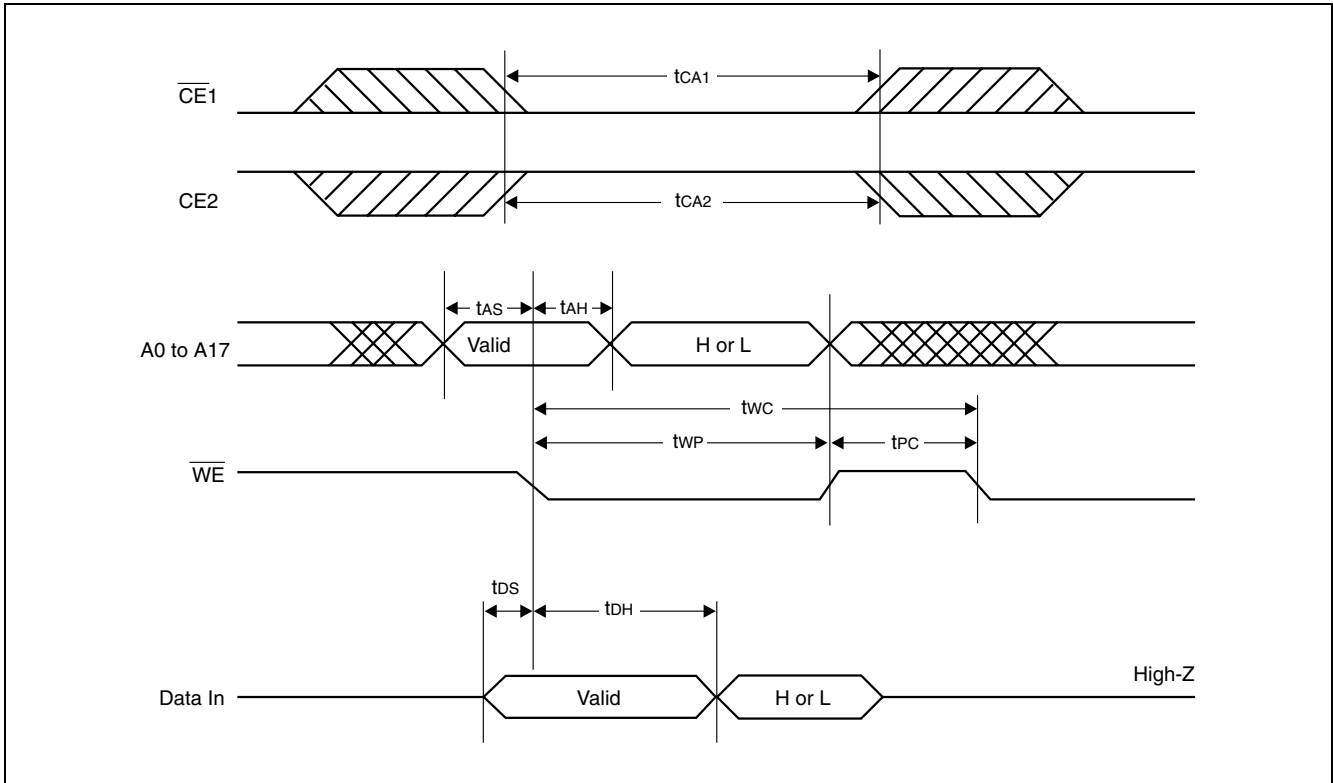


MB85R2001

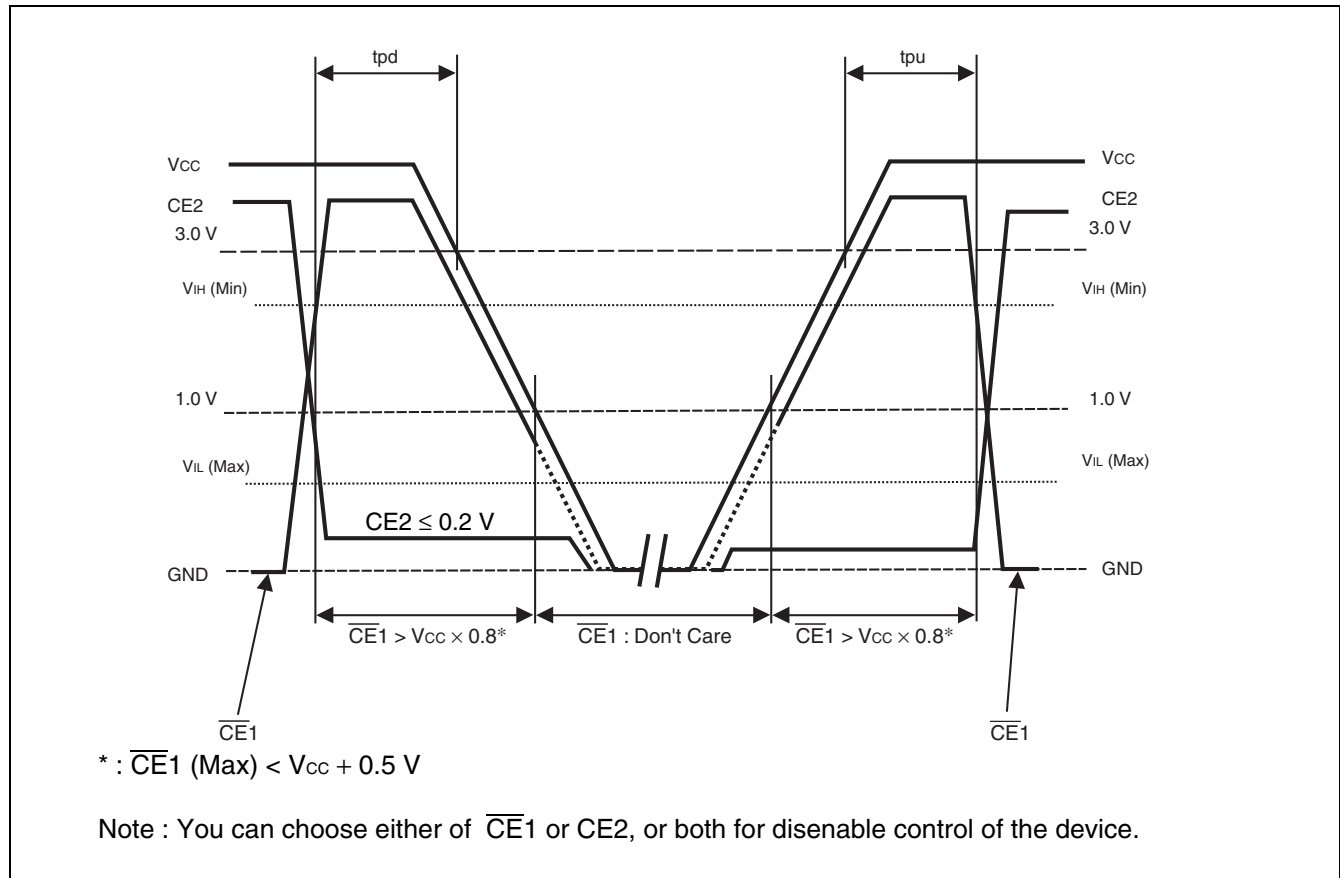
3. Write Cycle Timing 1 ($\overline{CE1}$, CE2 Control)



4. Write Cycle Timing 2 (\overline{WE} Control)



■ POWER ON/OFF SEQUENCE



■ NOTES ON USE

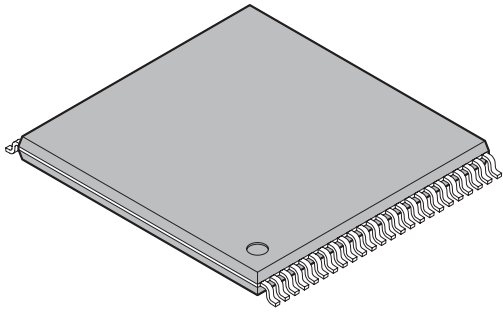
Data that is written prior to IR reflow is not guaranteed to be retained after IR reflow.

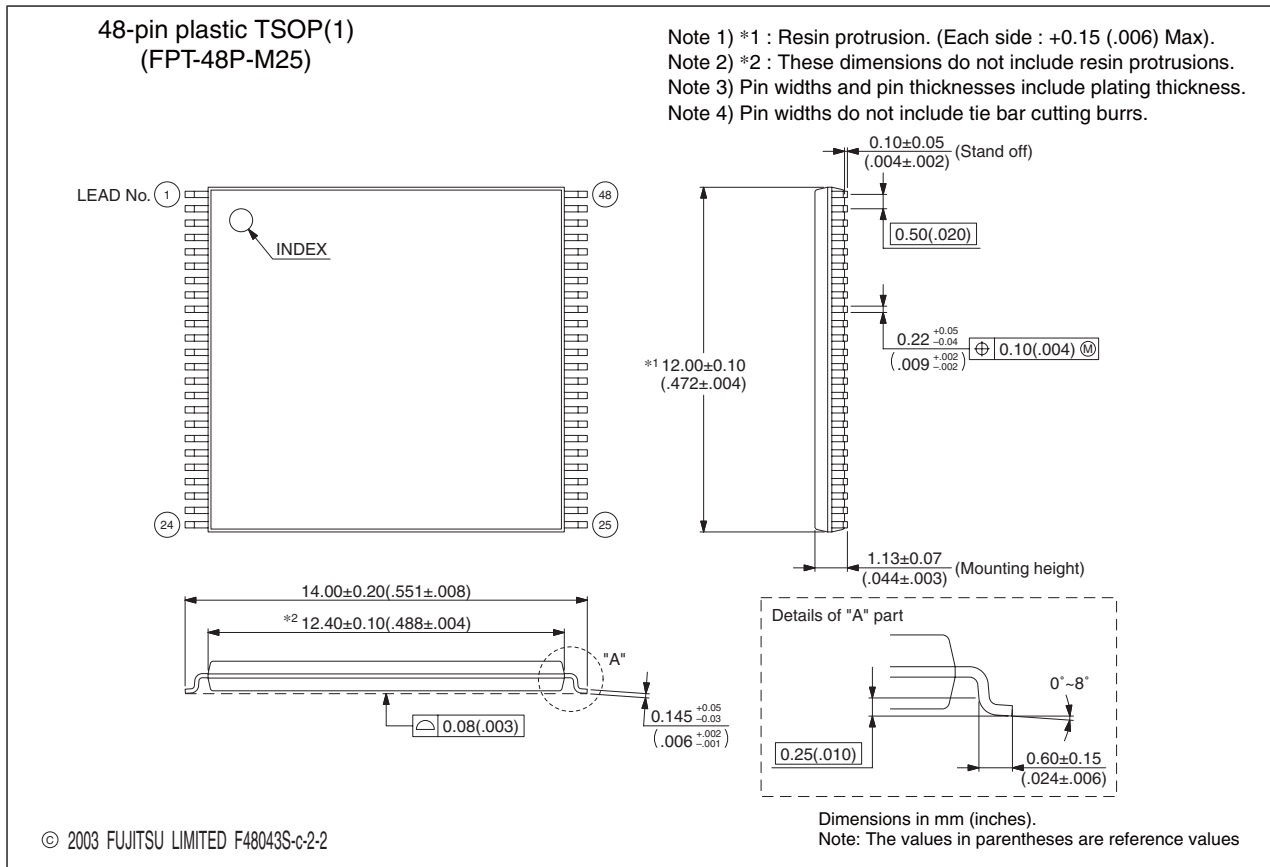
■ ORDERING INFORMATION

Part number	Package
MB85R2001PFTN-GE1	48-pin plastic TSOP(1) (FPT-48P-M25)

MB85R2001

■ PACKAGE DIMENSIONS

<p>48-pin plastic TSOP(1)</p>  <p>(FPT-48P-M25)</p>	Lead pitch	0.50 mm
	Package width × package length	12.00 × 12.40 mm
	Lead shape	Gullwing
	Sealing method	Plastic mold
	Mounting height	1.20 mm MAX
	Weight	0.37 g
	Code (Reference)	P-TSOP(1)48-12×12.4-0.50



Please confirm the latest Package dimension by following URL.
<http://edevic.fujitsu.com/fj/DATASHEET/ef-ovpkiv.html>

FUJITSU LIMITED

All Rights Reserved.

The contents of this document are subject to change without notice. Customers are advised to consult with FUJITSU sales representatives before ordering.

The information, such as descriptions of function and application circuit examples, in this document are presented solely for the purpose of reference to show examples of operations and uses of Fujitsu semiconductor device; Fujitsu does not warrant proper operation of the device with respect to use based on such information. When you develop equipment incorporating the device based on such information, you must assume any responsibility arising out of such use of the information. Fujitsu assumes no liability for any damages whatsoever arising out of the use of the information.

Any information in this document, including descriptions of function and schematic diagrams, shall not be construed as license of the use or exercise of any intellectual property right, such as patent right or copyright, or any other right of Fujitsu or any third party or does Fujitsu warrant non-infringement of any third-party's intellectual property right or other right by using such information. Fujitsu assumes no liability for any infringement of the intellectual property rights or other rights of third parties which would result from the use of information contained herein.

The products described in this document are designed, developed and manufactured as contemplated for general use, including without limitation, ordinary industrial use, general office use, personal use, and household use, but are not designed, developed and manufactured as contemplated (1) for use accompanying fatal risks or dangers that, unless extremely high safety is secured, could have a serious effect to the public, and could lead directly to death, personal injury, severe physical damage or other loss (i.e., nuclear reaction control in nuclear facility, aircraft flight control, air traffic control, mass transport control, medical life support system, missile launch control in weapon system), or (2) for use requiring extremely high reliability (i.e., submersible repeater and artificial satellite).

Please note that Fujitsu will not be liable against you and/or any third party for any claims or damages arising in connection with above-mentioned uses of the products.

Any semiconductor devices have an inherent chance of failure. You must protect against injury, damage or loss from such failures by incorporating safety design measures into your facility and equipment such as redundancy, fire protection, and prevention of over-current levels and other abnormal operating conditions.

If any products described in this document represent goods or technologies subject to certain restrictions on export under the Foreign Exchange and Foreign Trade Law of Japan, the prior authorization by Japanese government will be required for export of those products from Japan.

The company names and brand names herein are the trademarks or registered trademarks of their respective owners.

Edited Business Promotion Dept.