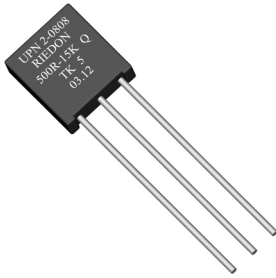


USN UPN 2-0808

Precision Foil Resistors



- Resistances from 100Ohm to 20kOhms
- Power Rating to 0.2Watt
- Resistance Tolerances to $\pm 0.005\%$
- TCR to $\pm 0.5\text{ppm/K}$
- Load Stability to 0.001%
- Twin Resistor Construction

SPECIFICATIONS

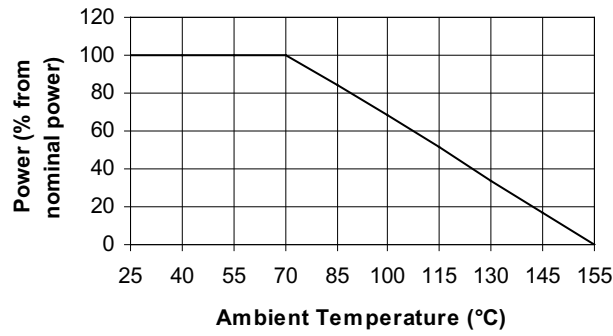
Type	USN 2-0808	UPN 2-0808
Resistance Range	100 Ohms to 20 kOhms	
Variations	Double-resistor with middle-pin (R1-R2)	
Power rating (70°C)	0.2W (R1+R2)	
Tolerances Absolut Ratio	from 0.005% from 0.005%	from 0.02% from 0.02%
Stability (Ratio)	0.001%	
Shelf Life Stability	25ppm / ΔR after 1 year 50ppm / ΔR after 3 year	
Temperature Coefficient Absolut Tracking upon request	typ. $\pm 3\text{ppm/K}$ < 1.0ppm/K < 0.5ppm/K	typ. $\pm 5\text{ppm/K}$ < 2.0ppm/K < 1.5ppm/K
Insolation Resistance	> 10GOhm	
Thermal EMF	< 0.1 $\mu\text{V/K}$	
Operating Temperature Range	-55 to 155°C	
Resistor Material	NiCr-Foil	
Substrate	Al_2O_3	
Housing	Capsule / Epoxy	
Connector Material	Cu tinned	
Terminals	3	

Ordering Information

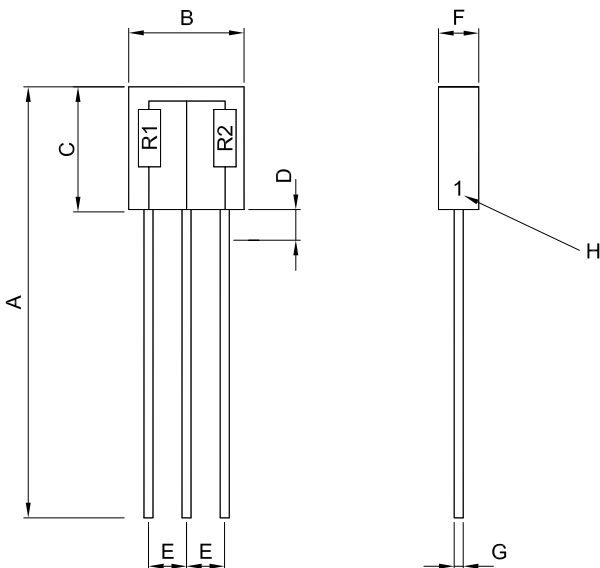
Part Number - Resistance - Tolerance
USN 2-0808 2kOhms-4kOhms 0.01%

SPECIFICATIONS (continued)

Derating



Dimensions



Dimension	mm	tol. (±mm)	inches	tol. (±inches)
A	27.20	2.0	1.07	0.079
B	7.49	0.2	0.29	0.008
C	8.13	0.2	0.32	0.008
D	2.00	0.1	0.08	0.004
E	2.54	0.1	0.10	0.004
F	2.54	0.1	0.10	0.004
G	Ø0.64	0.1	Ø0.025	0.004
H	Marking of the position of the low ohmic resistor			