

## Schottky Barrier Diode

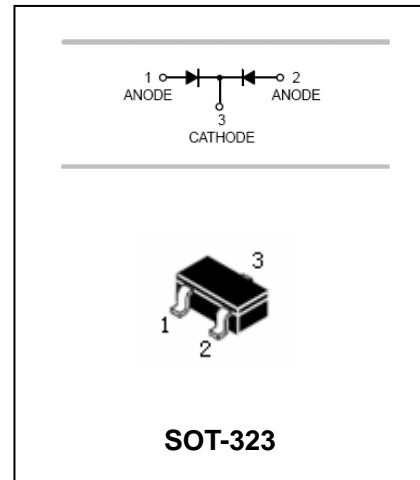
## RB715F

### FEATURES

- Extra small power mold type.
- Low  $V_F$ .
- High reliability.



Lead-free



### APPLICATIONS

- General purpose application.

### ORDERING INFORMATION

Type No.	Marking	Package Code
RB715F	3D	SOT-323

### MAXIMUM RATING @ $T_a=25^\circ\text{C}$ unless otherwise specified

Parameter	Symbol	Limits	Unit
Peak reverse voltage	$V_{RM}$	40	V
Diode reverse voltage	$V_R$	40	V
Average forward current	$I_F$	30	mA
Forward Surge Current $t=1\mu\text{S}$	$I_{FS}$	200	mA
Power Dissipation	$P_d$	150	mW
Junction temperature	$T_j$	125	$^\circ\text{C}$
Storage temperature range	$T_{stg}$	-40-+125	$^\circ\text{C}$

### ELECTRICAL CHARACTERISTICS @ $T_a=25^\circ\text{C}$ unless otherwise specified

Parameter	Symbol	Test conditions	MIN	MAX	UNIT
Reverse breakdown voltage	$V_{(BR)R}$	$I_R=100\mu\text{A}$	40		V
Reverse voltage leakage current	$I_R$	$V_R=10\text{V}$		1	$\mu\text{A}$
Forward voltage	$V_F$	$I_F=1\text{mA}$		370	mV
Diode capacitance	$C_D$	$V_R=1\text{V}$ $f=1\text{MHz}$		2.0	pF

## Schottky Barrier Diode

## RB715F

TYPICAL CHARACTERISTICS @  $T_a=25^\circ\text{C}$  unless otherwise specified

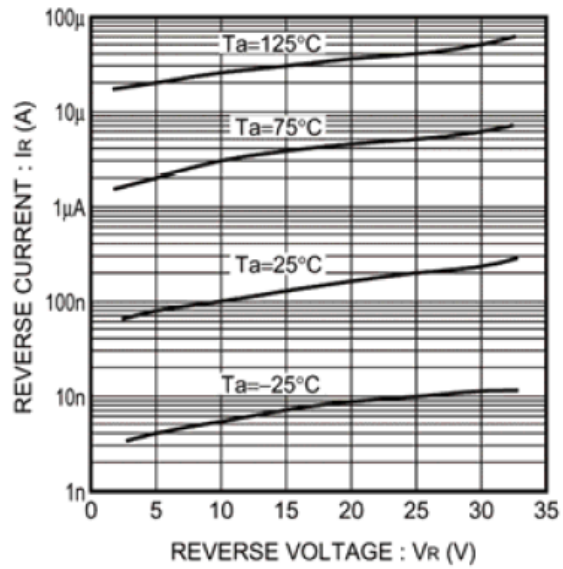
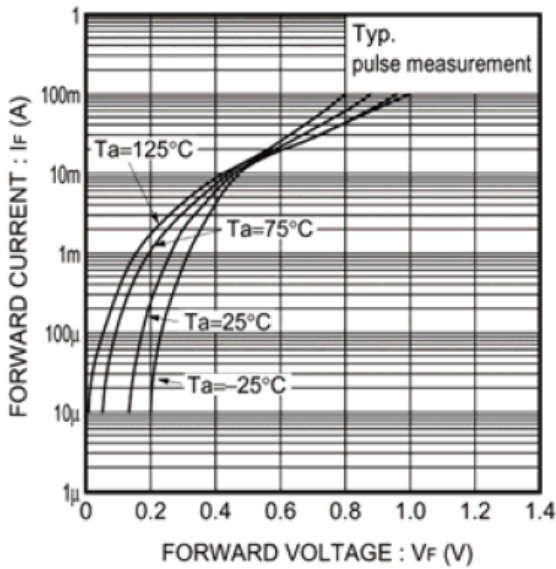


Fig. 1 Forward characteristics

Fig. 2 Reverse characteristics

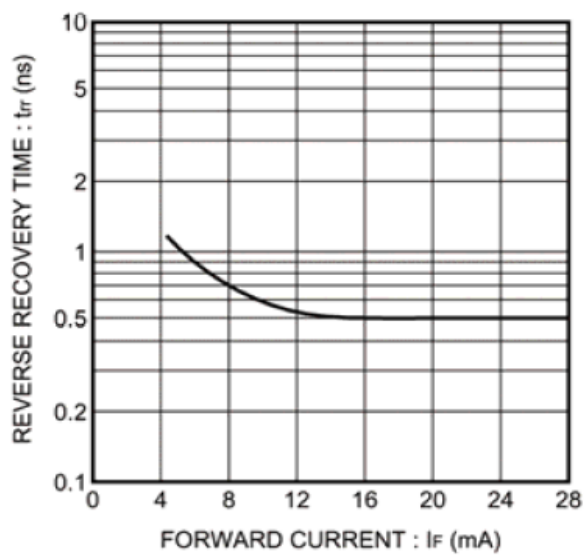
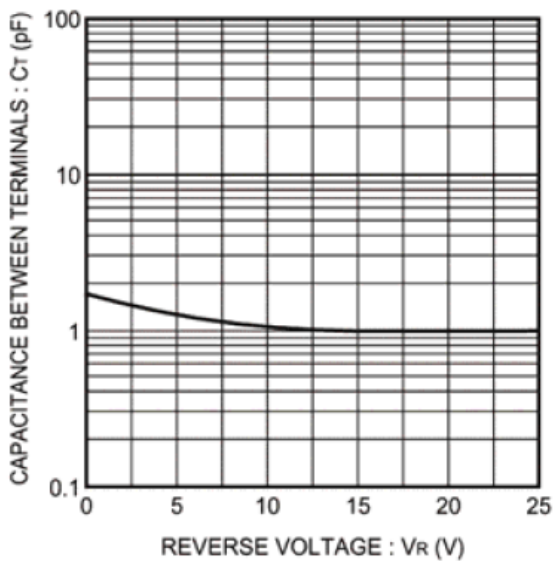


Fig. 3 Capacitance between terminals characteristics

Fig. 4 Reverse recovery time characteristics

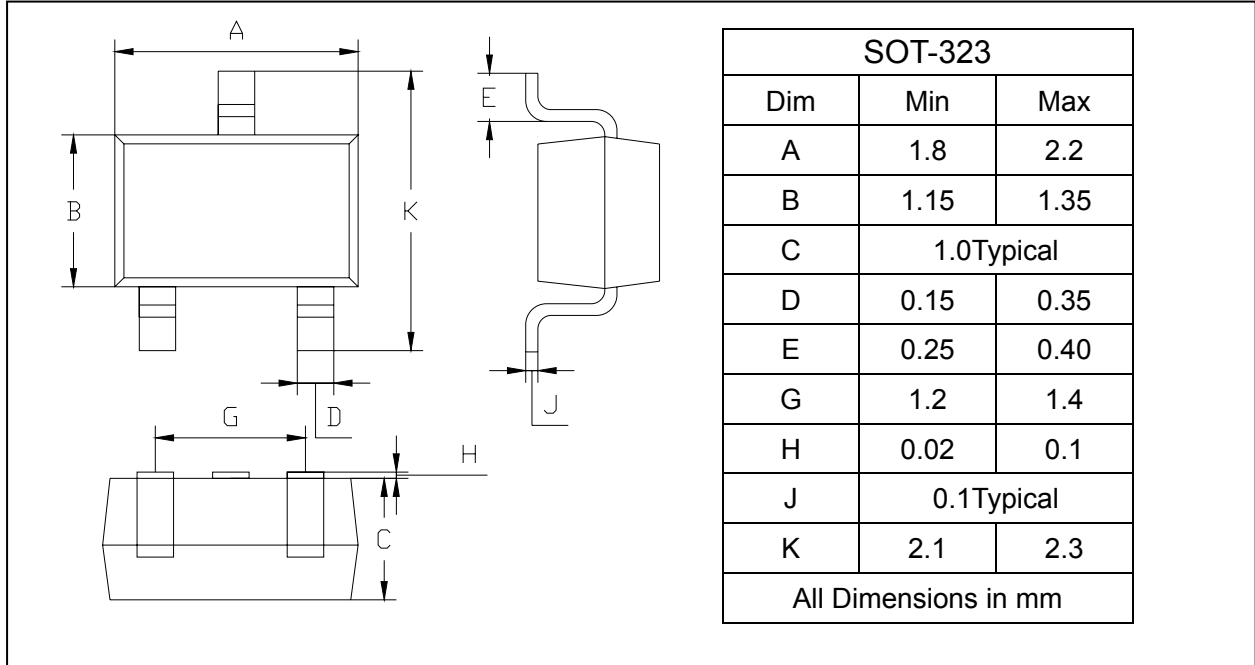
## Schottky Barrier Diode

## RB715F

### PACKAGE OUTLINE

Plastic surface mounted package

SOT-323



### PACKAGE INFORMATION

Device	Package	Shipping
RB715F	SOT-323	3000/Tape&Reel