

# NCP5383

## 2 Phase Buck Controller with Integrated Gate Drivers and AVP

The NCP5383 is a two phase buck controller used in low voltage, high current power supplies. Dual-edge pulse-width modulation (PWM) combined with inductor current sensing and adaptive voltage positioning (AVP) reduces system cost by providing the fastest initial response to transient loads thereby requiring less bulk and ceramic output capacitors to satisfy transient load-line requirements.

A high performance operational error amplifier is provided, which allows for easy compensation of the system. Protection features include overcurrent protection, undervoltage lockout (UVLO), thermal shutdown and power good monitor.

### Features

- Dual-edge PWM for Fastest Initial Response to Transient Loading
- High Performance Operational Error Amplifier
- 1% Internal Reference Voltage Accuracy
- Phase-to-Phase Current Balancing
- “Lossless” Differential Inductor Current Sensing
- Differential Current Sense Amplifiers for Each Phase
- Adaptive Voltage Positioning (AVP)
- Frequency Range: 100 kHz – 400 kHz Set by the Resistor
- Power Good Output with Internal Delays
- Programmable Soft Start Time
- Integrated Gate Drivers
- This is a Pb-Free Device

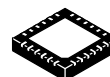
### Applications

- Pentium IV Processors
- Graphics Cards
- Low Voltage, High Current Power Supplies



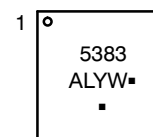
**ON Semiconductor®**

<http://onsemi.com>



24 PIN QFN, 4x4  
MN SUFFIX  
CASE 485L

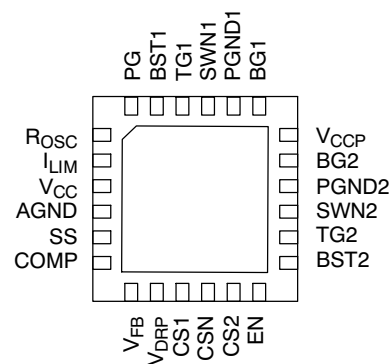
### MARKING DIAGRAM



5383 = Specific Device Code  
A = Assembly Location  
L = Wafer Lot  
Y = Year  
W = Work Week  
▪ = Pb-Free Package

(Note: Microdot may be in either location)

### PIN CONNECTIONS



(Top View)

### ORDERING INFORMATION

Device	Package	Shipping†
NCP5383MNR2G	QFN-24 (Pb-Free)	4000 / Tape & Reel

†For information on tape and reel specifications, including part orientation and tape sizes, please refer to our Tape and Reel Packaging Specification Brochure, BRD8011/D.

# NCP5383

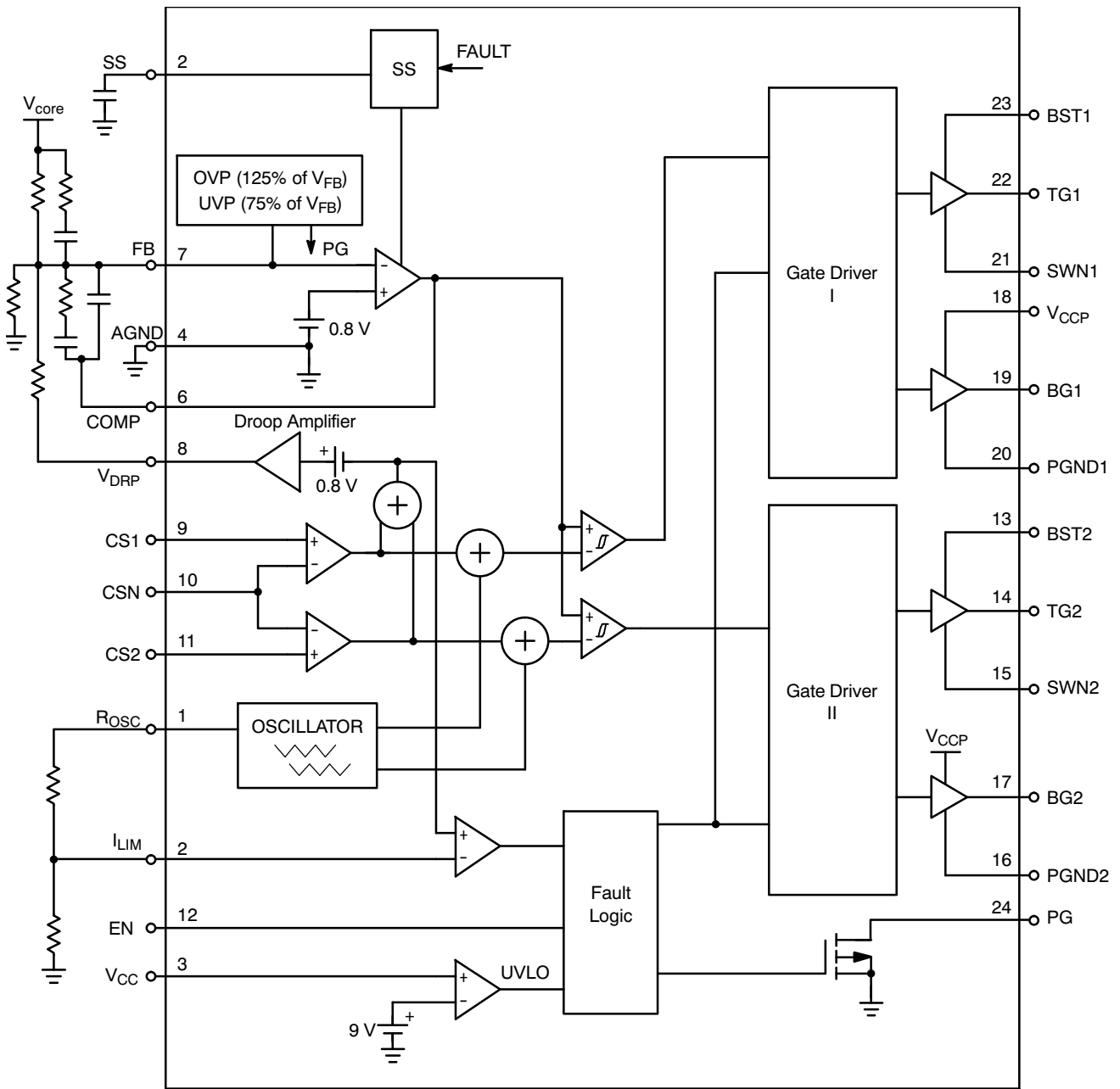


Figure 1. Simplified Block Diagram

# NCP5383

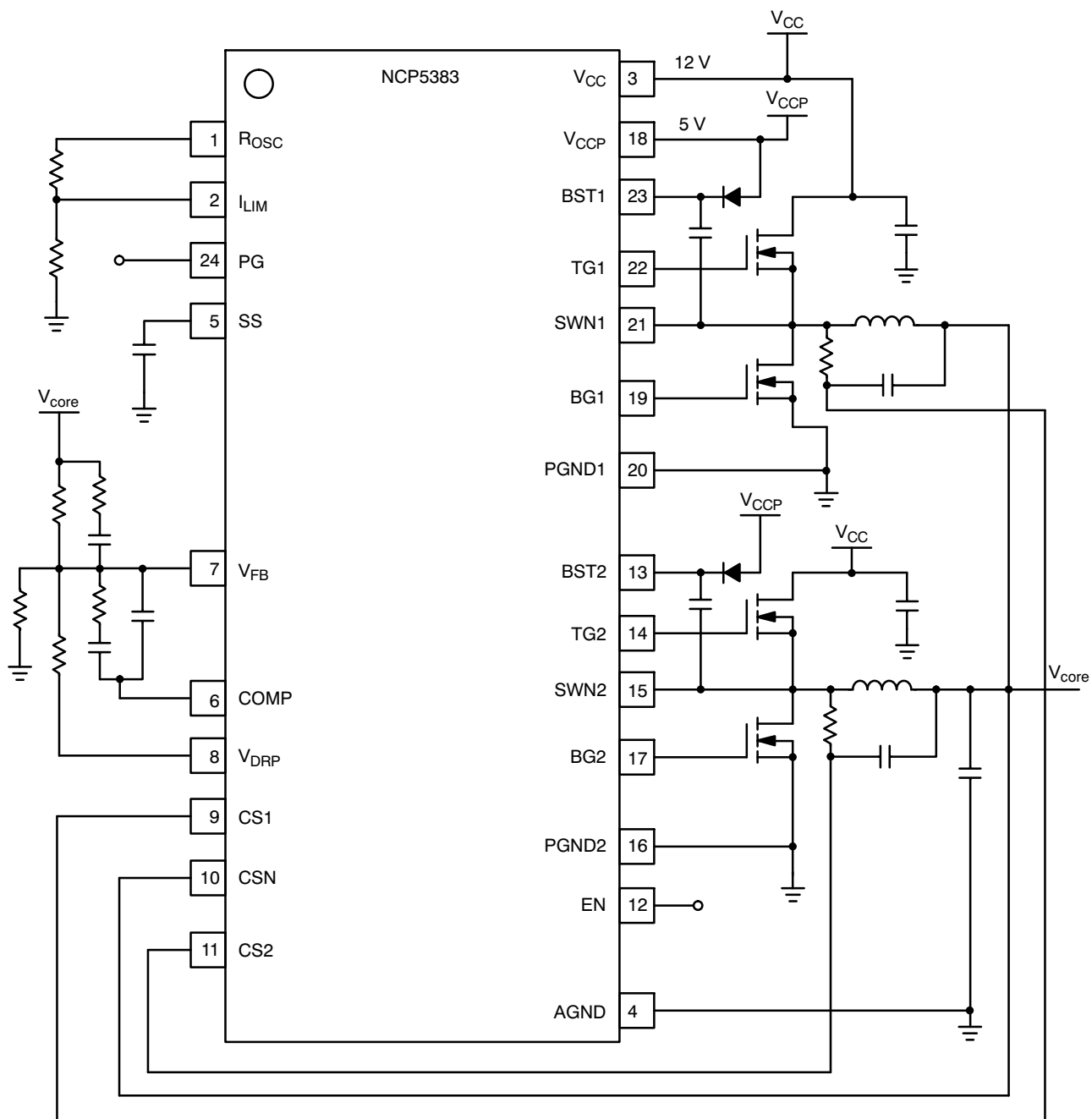


Figure 2. Typical Application Schematic

# NCP5383

## PIN DESCRIPTIONS

Pin No.	Symbol	Description
1	R <sub>OSC</sub>	A resistance from this pin to ground programs the oscillator frequency according to $f_{sw} = 1 / (R_{OSC} \cdot 100 \text{ pF})$ . Also, this pin supplies a trimmed output voltage of 2.00 V so it may be used to form a voltage divider at the I <sub>LIM</sub> pin to set the over current shutdown threshold as shown in the Applications Schematics.
2	I <sub>LIM</sub>	Over current shutdown threshold. To program the shutdown threshold, connect this pin to the R <sub>OSC</sub> pin via a resistor divider as shown in the Applications Schematics. To disable the over current feature connect this pin directly to the R <sub>OSC</sub> pin. To guarantee correct operation, this pin should only be connected to the voltage generated by the R <sub>OSC</sub> pin – do not connect this pin to any externally generated voltages.
3	V <sub>CC</sub>	Power for the internal control circuits.
4	AGND	Power supply return for the analog circuits that control output voltage.
5	SS	A capacitor from this pin to ground programs the soft-start time.
6	COMP	Output of the error amplifier and input to the inverting pin of the PWM comparators.
7	V <sub>FB</sub>	Voltage feedback pin and error amplifier inverting input. Connect a resistor from this pin to V <sub>CORE</sub> . The value of this resistor and the amount of current from the droop resistor (R <sub>DRP</sub> ) will set the amount of output voltage droop (AVP) during load.
8	V <sub>DRP</sub>	Current signal output for Adaptive Voltage Positioning (AVP). The offset of this pin above the no-load set-point is proportional to the output current. Connect a resistor from this pin to V <sub>FB</sub> to set the amount of AVP current into the feedback resistor (R <sub>FB</sub> ) that will result in output voltage droop. Leave this pin open for no AVP.
9	CS <sub>x</sub>	Non-inverting input to current sense amplifier #x, x = 1, 2
10	CS <sub>xN</sub>	Inverting input to current sense amplifier #x, x = 1 (Tie to V <sub>CORE</sub> )
12	EN	When this pin is pulled High the controller is enabled. When it is pulled Low the controller will be disabled. Either an open-collector output (with a pull-up resistor) or a logic gate (CMOS or totem-pole output) may be used to drive this pin. A Low to High transition on this pin will induce soft start. If the Enable function is not required, this pin should be tied directly to V <sub>CCP</sub> .
18	V <sub>CCP</sub>	Power for the gate drivers
19, 17	BG	Bottom gate MOSFET driver pin. Connect this pin to the gate of the bottom N-channel MOSFET.: Phase #x, x = 1, 2
20, 16	PGND	Ground reference for the bottom gate drivers
21, 15	SWN	Switch node pin. This is the reference for the floating top gate driver. Connect this pin to the source of the top MOSFET. : Phase #x, x = 1, 2
22, 14	TG	Top gate MOSFET driver pin. Connect this pin to the gate of the top N-channel MOSFET. : : Phase #x, x = 1,2
23, 13	BST	Supply rail for the floating top gate driver. To form a boost circuit, use an external diode to bring the desired input voltage to this pin (cathode connected to BST pin). Connect a capacitor (CBST) between this pin and the PHASE pin. Typical values for CBST range from 0.1 μF to 1 μF. Ensure that CBST is placed near the IC.: Phase #x, x = 1, 2.
24	PG	PowerGood output. Open drain type output with internal delays. The output is latched low if V <sub>fb</sub> is 125% of V <sub>FB</sub> or 75% of V <sub>FB</sub> .

# NCP5383

## ABSOLUTE MAXIMUM RATINGS

Rating	Value	Unit
Operating Ambient Temperature Range	0 to 70	°C
Operating Junction Temperature Range	0 to 125	°C
Storage Temperature Range	-55 to 150	°C
Lead Temperature Soldering, Reflow (60 second maximum above 183°C):	230	°C
Thermal Resistance, Junction-to-Ambient ( $R_{\theta JA}$ ) on a thermally conductive PCB in free air	56	°C/W
ESD Susceptibility (Human Body Model)	2.0	kV
JEDEC Moisture Sensitivity Level	1	MSL
Maximum Voltage $V_{CC}$ with respect to AGND	13.2	V
Maximum Voltage $V_{CCP}$ and all other pins with respect to ground	5.5	V
Maximum Voltage $V_{BST}$ and all other pins with respect to ground	18.7	V
Maximum Voltage $V_{BST}$ and all other pins with respect to SWN	5.5	V
Maximum Voltage SWN and all other pins with respect to ground	3.0	V
Minimum Voltage SWN and all other pins with respect to ground	-2.0	V
Minimum Voltage all pins with respect to ground	-0.3	V
Maximum Current into pins: COMP, $V_{DRP}$	3.0	mA
Maximum Current out of pins: COMP, $V_{DRP}$ , $R_{OSC}$ , SS	3.0	mA

Stresses exceeding Maximum Ratings may damage the device. Maximum Ratings are stress ratings only. Functional operation above the Recommended Operating Conditions is not implied. Extended exposure to stresses above the Recommended Operating Conditions may affect device reliability.

# NCP5383

## ELECTRICAL CHARACTERISTICS

(Unless otherwise stated:  $0^{\circ}\text{C} < T_A < 70^{\circ}\text{C}$ ;  $0^{\circ}\text{C} < T_J < 125^{\circ}\text{C}$ ;  $4.5\text{ V} < V_{CC} < 13.2\text{ V}$ ;  $F_{sw} = 400\text{ KHz}$ )

Parameter	Test Conditions	Min	Typ	Max	Units
<b>Error Amplifier</b>					
Input Bias Current		-200	-50	-10	nA
Input Offset Voltage		-1.0		1.0	mV
Inverting Input Voltage	1.0 K $\Omega$ between V <sub>FB</sub> and COMP Pins	792	800	808	mV
Open Loop DC Gain	C <sub>L</sub> = 100 pF to GND, R <sub>L</sub> = 10 K $\Omega$ to GND		78		dB
Open Loop Unity Gain Bandwidth	C <sub>L</sub> = 100 pF to GND, R <sub>L</sub> = 10 K $\Omega$ to GND		15		MHz
Open Loop Phase Margin	C <sub>L</sub> = 100 pF to GND, R <sub>L</sub> = 10 K $\Omega$ to GND		65		deg
Slew Rate	$\Delta V_{in} = 100\text{ mV}$ , $G = -1\text{ V/V}$ , $\Delta V_{out} = 1.0\text{ V} - 2.0\text{ V}$ , C <sub>L</sub> = 10 pF to GND, Load = $\pm 125\text{ }\mu\text{A}$ to GND		5.0		V/ $\mu\text{s}$
Maximum Output Voltage	I <sub>SOURCE</sub> = 2.0 mA	3.0	3.3		V
Minimum Output Voltage	I <sub>SINK</sub> = 2.0 mA		0.9	1.05	V
Output Source Current (Note 1)	V <sub>out</sub> = 3.0 V		2.0		mA
Output Sink Current (Note 1)	V <sub>out</sub> = 1.0 V		2.0		mA

## Boost Current Supply Voltage

Input Voltage		4.5	12	18	V
V <sub>CCP</sub> Operating Voltage	V <sub>CCP</sub>	4.5	5.0	5.5	V

## V<sub>DRP</sub> Adaptive Voltage Positioning Amplifier

Current Sense Input to V <sub>DRP</sub> Gain		5.7	6.0	6.3	V/V
Current Sense Input to V <sub>DRP</sub> Output Unity Gain Bandwidth	C <sub>L</sub> = 330 pF to GND, R <sub>L</sub> = 10 K $\Omega$ to GND		7.2		MHz
Current Sense Input to V <sub>DRP</sub> Output Slew Rate	$\Delta V_{in} = 100\text{ mV}$ , $G = 6\text{ V/V}$ , $\Delta V_{out} = 1.3\text{ V} - 1.9\text{ V}$ , C <sub>L</sub> = 330 pF to GND, Load = $\pm 400\text{ }\mu\text{A}$ to GND		3.7		V/ $\mu\text{s}$
Current Summing Amp Output Offset Voltage	CSx - CSNx = 0, CSx = 1 V		10		mV
Maximum V <sub>DRP</sub> Output Voltage	CSx - CSNx = 0.12 V, I <sub>source</sub> = 1 mA	1.2			V
Minimum V <sub>DRP</sub> Output Voltage	CSx - CSNx = -0.12 V, I <sub>sink</sub> = 1 mA			0.5	V
Output Source Current (Note 1)	V <sub>out</sub> = 1.2 V		9.0		mA
Output Sink Current (Note 1)	V <sub>out</sub> = 1.0 V		2.0		mA

## Current Sense Amplifiers

Input Bias Current	CSx = CSxN = 1.4 V	-200	-50	-1.0	nA
Common Mode Input Voltage Range		-0.3		3.3	V
Differential Mode Input Voltage Range		-120		120	mV
Input Offset Voltage	CSx = CSxN = 1.00 V	-3.0		3.0	mV
Current Sense Input to PWM Gain	0 mV < (CSx - CSxN) < 25 mV T <sub>A</sub> = 25°C	5.7	6.0	6.3	V/V

1. Guaranteed by design, not tested in production.

# NCP5383

## ELECTRICAL CHARACTERISTICS

(Unless otherwise stated:  $0^{\circ}\text{C} < T_A < 70^{\circ}\text{C}$ ;  $0^{\circ}\text{C} < T_J < 125^{\circ}\text{C}$ ;  $4.5\text{ V} < V_{CC} < 13.2\text{ V}$ ;  $F_{sw} = 400\text{ KHz}$ )

Parameter	Test Conditions	Min	Typ	Max	Units
-----------	-----------------	-----	-----	-----	-------

### Oscillator

Switching Frequency Range		100		400	KHz
Switching Frequency Accuracy	ROSC = 100 K $\Omega$	90	100	110	KHz
Switching Frequency Accuracy	ROSC = 49.9 K $\Omega$	180	200	220	KHz
Switching Frequency Accuracy	ROSC = 24.9 K $\Omega$	360	400	440	KHz
ROSC Output Voltage		1.92	2.00	2.08	V

### Modulators (PWM Comparators)

Minimum Pulse Width (Note 1)	$F_s = 400\text{ KHz}$		30	40	ns
Propagation Delay			20		ns
Magnitude of the PWM Ramp			1.0		V
0% Duty Cycle	COMP voltage when the PWM outputs remain LO		1.3		V
100% Duty Cycle	COMP voltage when the PWM outputs remain HI		2.3		V
PWM Comparator Offset Mismatch				40	Mv
Phase Angle Error		-15		15	deg
PWM Linear Duty Cycle			90		%

### Gate Drivers

Upper Gate Source	$V_{bst} - V_{swn} = 5\text{ V}$ , $V_{TG} - V_{SWN} = 4\text{ V}$		1.8		$\Omega$
Upper Gate Sink	$V_{bst} - V_{swn} = 5\text{ V}$ , $V_{TG} - V_{SWN} = 1\text{ V}$		1.8		$\Omega$
Lower Gate Source	$V_{CCP} = 5\text{ V}$ , $V_{gs} = 4\text{ V}$		1.8		$\Omega$
Lower Gate Sink	$V_{CCP} = 5\text{ V}$ , $V_{gs} = 1\text{ V}$		0.9		$\Omega$
Upper gate transition times	$C_{load} = 3\text{ nF}$		16		ns
	$C_{load} = 3\text{ nF}$		16		ns
Lower gate transition times	$C_{load} = 3\text{ nF}$		16		ns
	$C_{load} = 3\text{ nF}$		7.0		ns
SWN falling to BG rising delay	$C_{load} = 3\text{ nF}$		18		ns
BG falling to TG rising delay	$C_{load} = 3\text{ nF}$		40		ns

### Soft-Start

Soft-Start Pin Source Current			5.0		$\mu\text{A}$
Soft-Start Pin Discharge Voltage	Fault = 1			50	mV
Soft-Start Pin Discharge Time	From EN = 0 to $V_{SS}$ pin < max discharge voltage, $C_{SS} = 0.01\text{ }\mu\text{F}$		5.0		$\mu\text{s}$

### Enable Input

Enable High Input Leakage Current	EN = 3.0 V			10	$\mu\text{A}$
Upper Threshold	$V_{UPPER}$	0.80	0.85	0.90	V
Total Hysteresis	$V_{UPPER} - V_{LOWER}$	50	100	150	mV

### Thermal Shutdown

Thermal Trip Point	TSD			160	C
--------------------	-----	--	--	-----	---

1. Guaranteed by design, not tested in production.

# NCP5383

## ELECTRICAL CHARACTERISTICS

(Unless otherwise stated:  $0^{\circ}\text{C} < T_A < 70^{\circ}\text{C}$ ;  $0^{\circ}\text{C} < T_J < 125^{\circ}\text{C}$ ;  $4.5\text{ V} < V_{CC} < 13.2\text{ V}$ ;  $F_{sw} = 400\text{ KHz}$ )

Parameter	Test Conditions	Min	Typ	Max	Units
-----------	-----------------	-----	-----	-----	-------

### Current Limit

Current Sense Amp to ILIM Gain	$20\text{ mV} < (CSx - CSxN) < 60\text{ mV}$ $T_A = 25^{\circ}\text{C}$	5.7	6.0	6.3	V/V
ILIM Pin Input Bias Current	$V_{ilim} = 2.0\text{ V}$		0.1	1.0	$\mu\text{A}$
ILIM Pin Working Voltage Range		0.3		2.0	V
ILIM Input Offset Voltage		-50		50	mV

### Undervoltage Protection

UVLO Start Threshold	$V_{CC} = 12\text{ V}$	8.2	9.0	9.5	V
UVLO Stop Threshold		7.2	8.0	8.5	
UVLO Hysteresis			1.0		V
UVLO	$V_{CCP} = 5\text{ V}$	3.7	4.0	4.3	V
Hysteresis			0.5		V

### Power Good

Output Saturation Voltage	$I_{PG} = 10\text{ mA}$ , $V_{CC} = 12\text{ Vdc}$			0.4	V
Rise Time	External pull-up of $1\text{ K}\Omega$ to $1.25\text{ V}$ , $C_{TOT} = 45\text{ pF}$ , $\Delta V_O = 10\%$ to $90\%$			150	ns
Output Voltage at Power-up	External PG pull-up resistor of $2\text{ K}\Omega$ to $5\text{ V}$ $t_{R\_VCC} \leq 3 \times t_{R\_5V}$ $100\ \mu\text{s} \leq t_{R\_VCC} \leq 20\text{ ms}$			1.0	V
High – Output Leakage Current	$PG = 5.5\text{ V}$ via $1\text{ K}$			0.1	$\mu\text{A}$
Upper Threshold Voltage			125		% of $V_{FB}$
Lower Threshold Voltage			75		% of $V_{FB}$
Rising Delay	$V_{CORE}$ increasing	0.3	1.40	2	ms
Falling Delay	$V_{CORE}$ decreasing		5		$\mu\text{s}$



TYPICAL CHARACTERISTICS

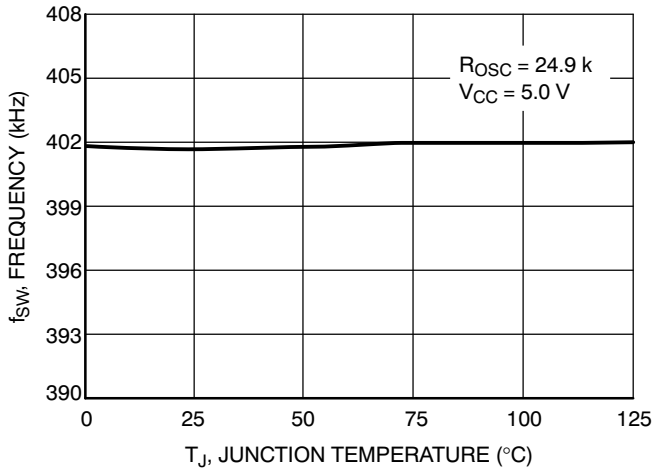


Figure 3. Oscillator Frequency vs. Temperature

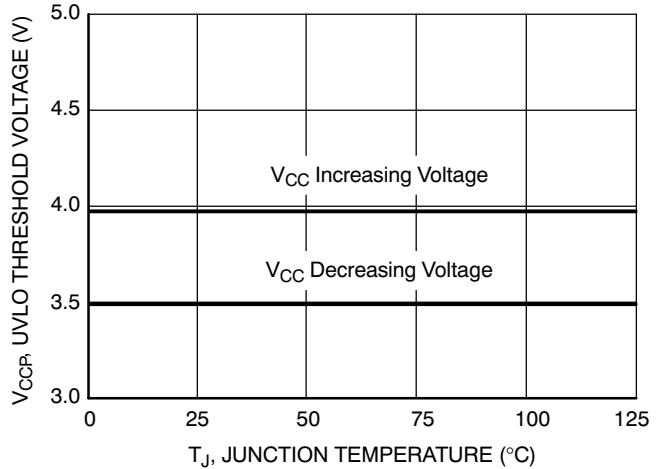


Figure 4. UVLO Threshold Voltage vs. Temperature

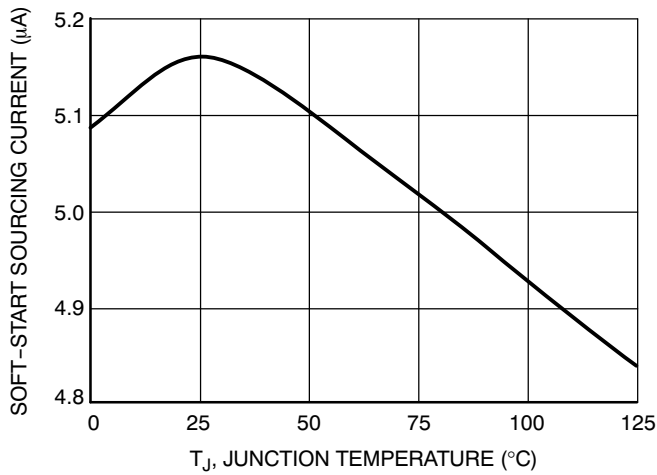


Figure 5. Soft-Start Sourcing Current vs. Temperature

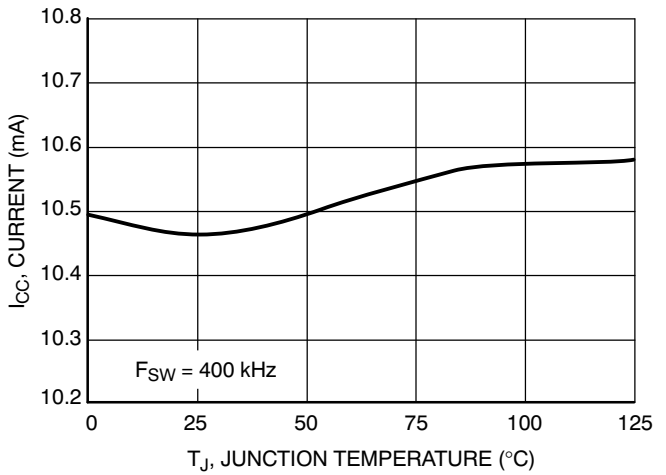


Figure 6. I<sub>CC</sub> Current vs. Temperature

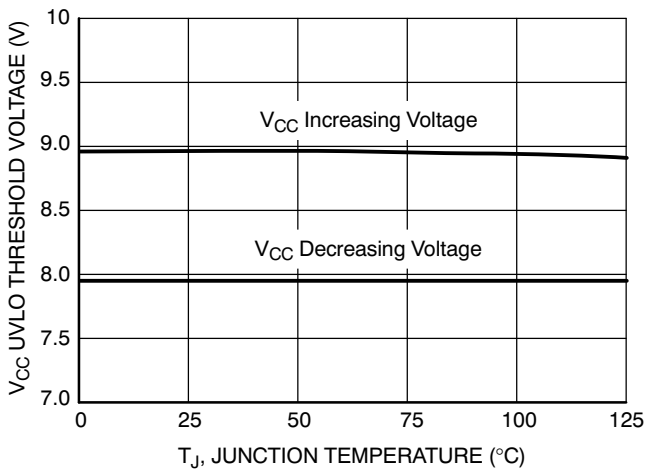


Figure 7. V<sub>CC</sub> UVLO Threshold Voltage vs. Temperature

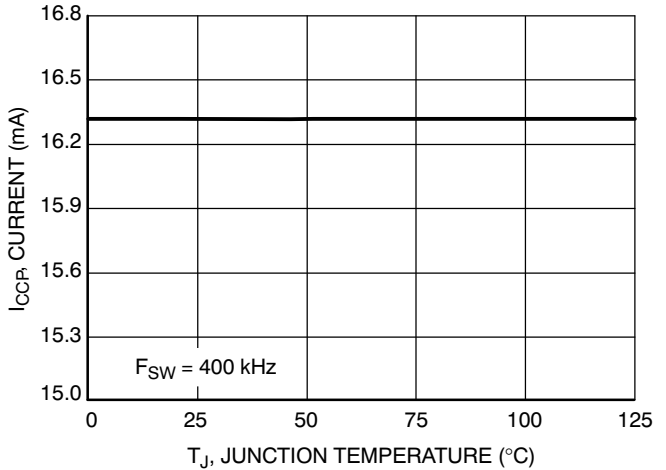


Figure 8. I<sub>CCP</sub> Current vs. Temperature

TYPICAL CHARACTERISTICS

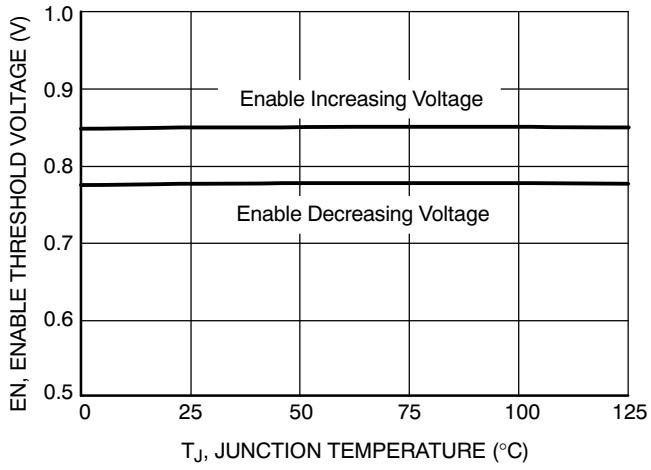


Figure 9. Enable Threshold Voltage vs. Temperature

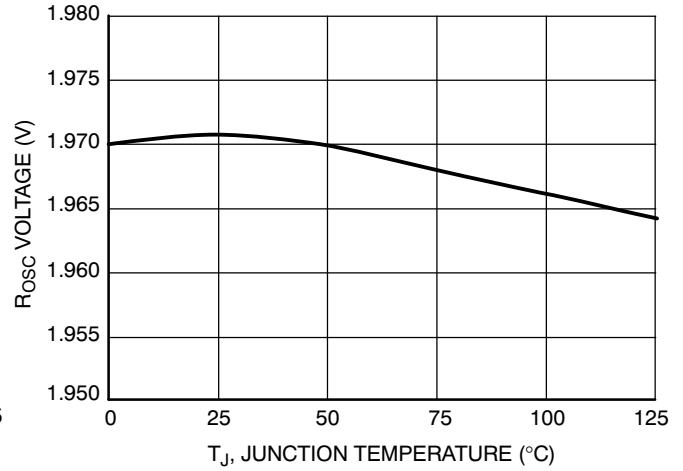


Figure 10.  $R_{OSC}$  Voltage vs. Temperature

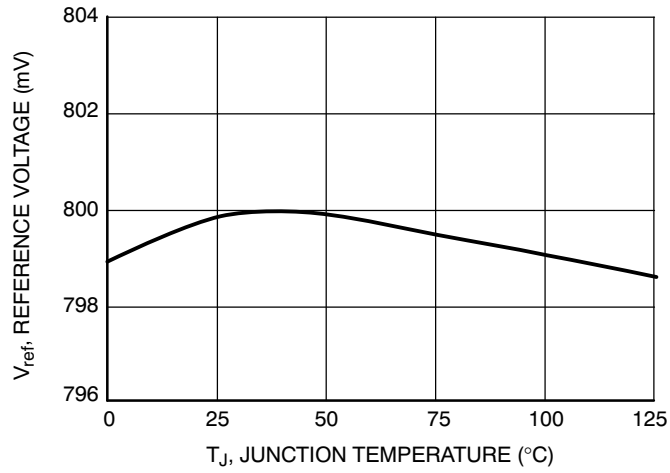


Figure 11. Reference Voltage vs. Temperature

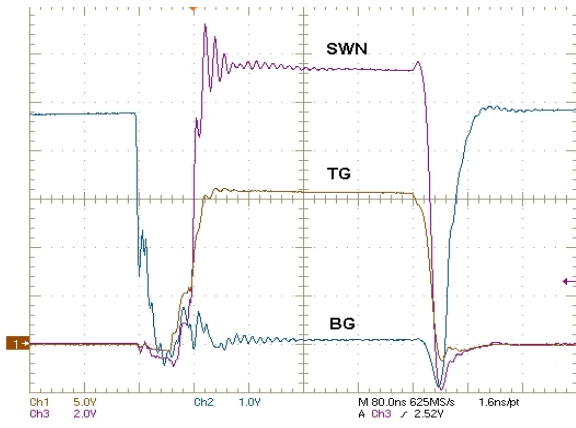


Figure 12. 20 A Sustaining Load

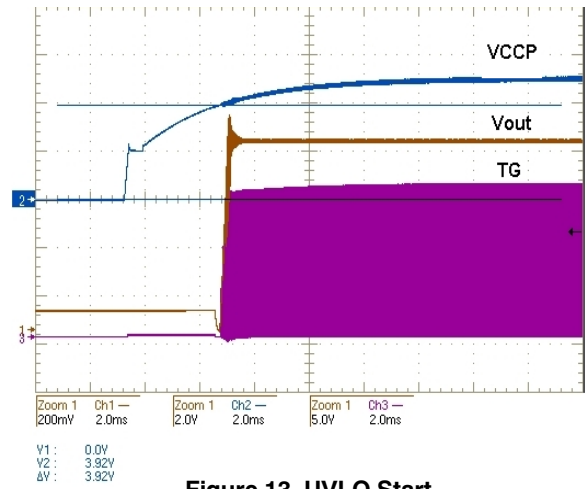


Figure 13. UVLO Start

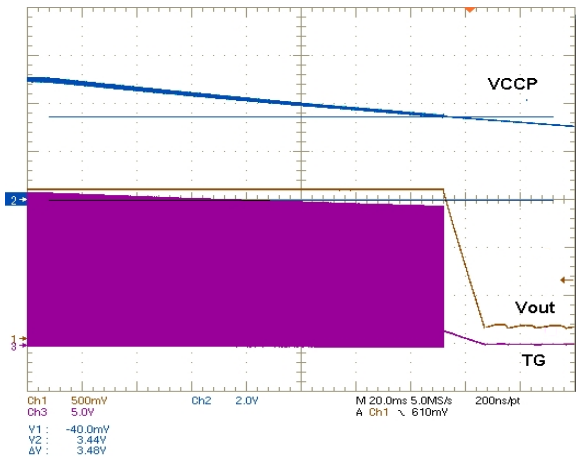


Figure 14. UVLO Stop

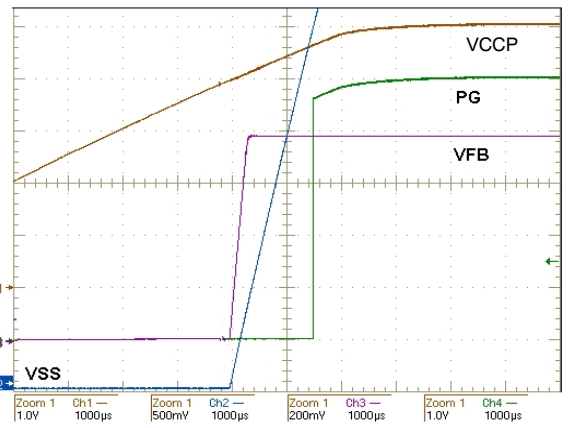


Figure 15. Power-up Waveforms

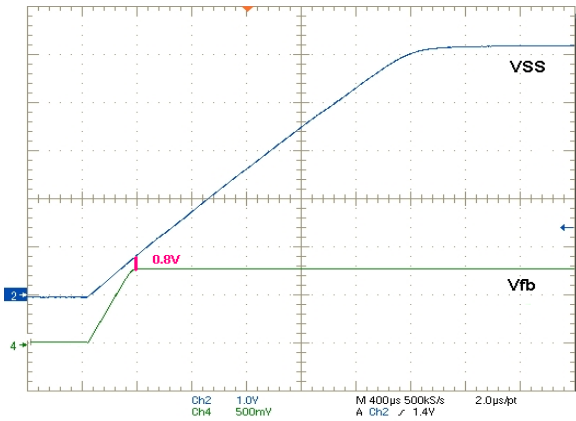


Figure 16. Soft Start Sequence

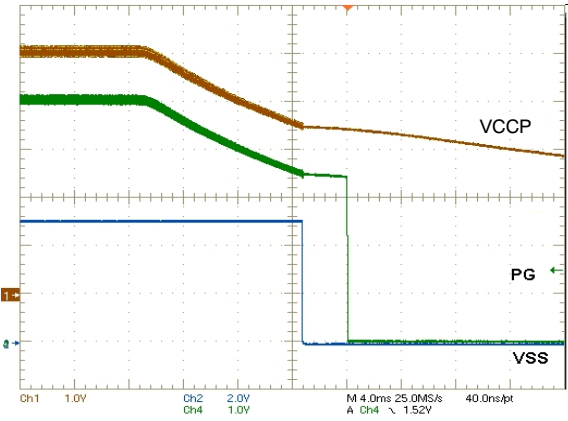


Figure 17. Power-down Waveforms

## APPLICATIONS INFORMATION

### General

The NCP5383 dual edge modulated multiphase PWM controller is specifically designed with the necessary features for a high current power system. The IC consists of the following blocks: High Performance Voltage Error Amplifier, Precision Oscillator and Triangle Wave Generators, and PWM Comparators. Protection features include Undervoltage Lockout, Soft-Start, Overcurrent Protection, Thermal Shutdown and Power Good Monitor.

### High Performance Voltage Error Amplifier

The error amplifier is designed to provide high slew rate and bandwidth. A capacitor from COMP to  $V_{FB}$  is required for stable unity gain test configurations.

### Oscillator and Triangle Wave Generator

A programmable precision oscillator is provided. The oscillator's frequency is programmed by the resistance connected from the  $R_{OSC}$  pin to ground. The user will usually form this resistance from two resistors in order to create a voltage divider that uses the  $R_{OSC}$  output voltage as the reference for creating the current limit setpoint voltage. The oscillator frequency range is 100 kHz/phase to 400 kHz/phase. The oscillator generates 2 triangle waveforms (symmetrical rising and falling slopes) between 1.3 V and 2.3 V. The triangle waves have a phase delay between them such that for 2 phase operation the PWM outputs are separated by 180 degrees.

### PWM Comparators with Hysteresis

Two PWM comparators receive the error amplifier output signal at their non inverting input. Each comparator receives one of the triangle waves offset by 1.3 V at its inverting input. During steady state operation, the duty cycle will center on the valley of the triangle waveform, with steady state duty cycle calculated by  $V_{out}/V_{in}$ . During a transient event, both high and low comparator output transitions shift phase to the points where the error amplifier output intersects the down and up ramp of the triangle wave.

## PROTECTION FEATURES

### Undervoltage Lockout

An undervoltage lockout (UVLO) senses the  $V_{CC}$  input. During powerup, the input voltage to the controller is monitored, and the PWM outputs and the soft-start circuit are disabled until the input voltage exceeds the threshold voltage of the UVLO comparator. The UVLO comparator incorporates hysteresis to avoid chattering, since  $V_{CC}$  is likely to decrease as soon as the converter initiates soft-start. There is a separate undervoltage lockout (UVLO) for the drivers that sense the  $V_{CCP}$  inputs.

### Overcurrent Shutdown

A programmable overcurrent function is incorporated within the IC. A comparator and latch makeup this function. The inverting input of the comparator is connected to the ILIM pin. The voltage at this pin sets the maximum output current the converter can produce. The ROSC pin provides a convenient and accurate reference voltage from which a resistor divider can create the overcurrent setpoint voltage. Although not actually disabled, tying the ILIM pin directly to the ROSC pin sets the limit above useful levels – effectively disabling overcurrent shutdown. The comparator non inverting input is the summed current information from the current sense amplifiers. The overcurrent latch is set when the current information exceeds the voltage at the ILIM pin. The outputs are immediately, and the soft-start is pulled low. The outputs will remain disabled until the  $V_{CC}$  voltage is removed and re-applied, or the ENABLE input is brought low and then high.

### Power Good Monitor

NCP5383 has a power good monitor set at 125% of  $V_{fb}$  or 75% of  $V_{fb}$  for upper and lower thresholds respectively. It is an open drain type output.

### Soft-Start

The NCP5383 incorporates an externally programmable soft-start. The soft-start circuit works by controlling the ramp-up of the  $V_{ref}$  voltage during powerup. The initial soft-start pin voltage is 0 V. The soft-start sequence ends when  $V_{SS} = 0.8$  V. The soft-start pin is pulled to 0 V if there is an overcurrent shutdown, if  $V_{CC}$  is below the UVLO threshold, or if  $V_{CCP}$  is below the UVLO threshold.

### Programming the Current Limit and Oscillator Frequency

The OSC pin provides a 2.0 V reference voltage which is divided down with a resistor divider and fed into the current limit pin ILIM. Calculate the total series resistance to set the frequency and then calculate the individual values for current limit divider. The series resistors RLIM1 and RLIM2 sink current to ground. This current is internally mirrored into a capacitor to create an oscillator. The period is proportional to the resistance and frequency is inversely proportional to the resistance.

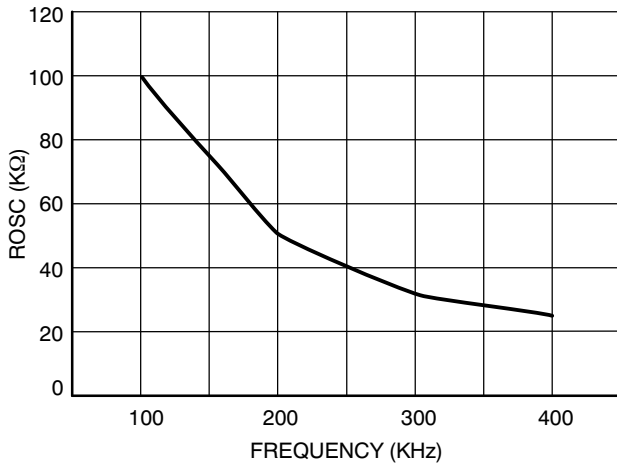


Figure 18. ROSC vs. Phase Frequency

$$V_{LIMIT} \cong 5.94 \cdot \left( I_{MIN\_OCP} \cdot DCRT_{max} + \frac{DCR_{50C} \cdot V_{out}}{2 \cdot V_{in} \cdot F_s} \cdot \left( \frac{V_{in}-V_{out}}{L} - (N-1) \cdot \frac{V_{out}}{L} \right) \right) - 0.02 \quad (eq. 2)$$

Solve for the individual resistors:

$$RLIM2 = \frac{V_{LIMIT} \cdot ROSC}{2 \cdot V}$$

$$RLIM1 = ROSC - RLIM2 \quad (eq. 3)$$

**Final Equation for the Current Limit Threshold**

$$I_{LIMIT}(T_{inductor}) \cong \frac{\left( \frac{2 \cdot V \cdot RLIM2}{RLIM1 + RLIM2} \right) + 0.02}{5.94 \cdot (DCR_{25C} \cdot (1 + 0.00393 \cdot C^{-1}(T_{Inductor}-25 \cdot C)))} - \frac{V_{out}}{2 \cdot V_{in} \cdot F_s} \cdot \left( \frac{V_{in}-V_{out}}{L} - 1 \cdot \frac{V_{out}}{L} \right) \quad (eq. 4)$$

Selecting the closest available values of 16.9 KΩ for RLIM1 and 15.8 KΩ yield a nominal operating frequency of 305 KHz and an approximate current limit of 180 A at 100C. The total sensed current can be observed at the VDRP pin added to a positive, no-load offset of approximately 0.8 V.

**Inductor Selection:**

When using the inductor current sensing it is recommended that the inductor does not saturate by more than 10% at the maximum load. The inductor also must not go into hard saturation before current limit trips. Small DCR values can be used, however current sharing accuracy and droop accuracy decrease as DCR decreases.

**Inductor Current Sense Compensation**

The NCP5383 uses the inductor current sensing method. This method uses an RC filter to cancel out the inductance of the inductor and recover the voltage that is the result of the current flowing through the inductor’s DCR. This is done by matching the RC time constant of the current sense filter to the L/DCR time constant. The first cut approach is to use a 0.47 μF capacitor for C and then solve for R.

$$R_{sense}(T) = \frac{L}{0.47 \cdot \mu F \cdot DCR_{25C} \cdot (1 + 0.00393 \cdot C^{-1} \cdot (T-25 \cdot C))} \quad (eq. 5)$$

Calculate the current limit voltage:

The current limit function is based on the total sensed current of two phases multiplied by a gain of 5.94. DCR sensed inductor current is function of the winding temperature. The best approach is to set the maximum current limit based on the expected average maximum temperature of the inductor windings.

$$DCRT_{max} = DCR_{25C} \cdot (1 + 0.00393 \cdot C^{-1}(T_{Tmax}-25 \cdot C)) \quad (eq. 1)$$

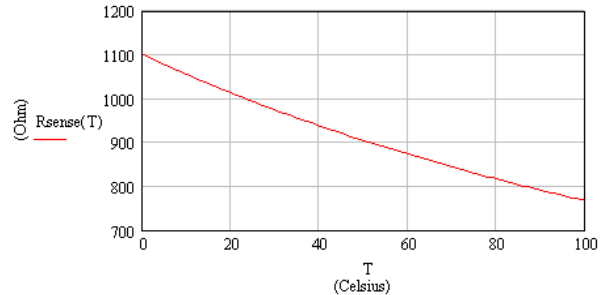


Figure 19.

The demoboard inductor measured 950 nH and 0.75 mΩ at room temp. The actual value used for Rsense matches the equation for Rsense at approximately 50C. Because the inductor value is a function of load and inductor temperature final selection of R is best done experimentally on the bench by monitoring the Vdroop pin and performing a step load test on the actual solution.

It is desirable to keep the Rsense resistor value below 1.0 k whenever possible by increasing the capacitor values in the inductor compensation network. The bias current flowing out of the current sense pins is approximately 100 nA. This current flows through the current sense resistor and creates an offset at the capacitor which will appear as a load current at the Vdroop pin. A 1.0 k resistor will keep this offset at the droop pin below 2.5 mV.

**Simple Average PSPICE Model**

A simple state average model shown in Figure 20 can be used to determine a stable solution and provide insight into the control system.

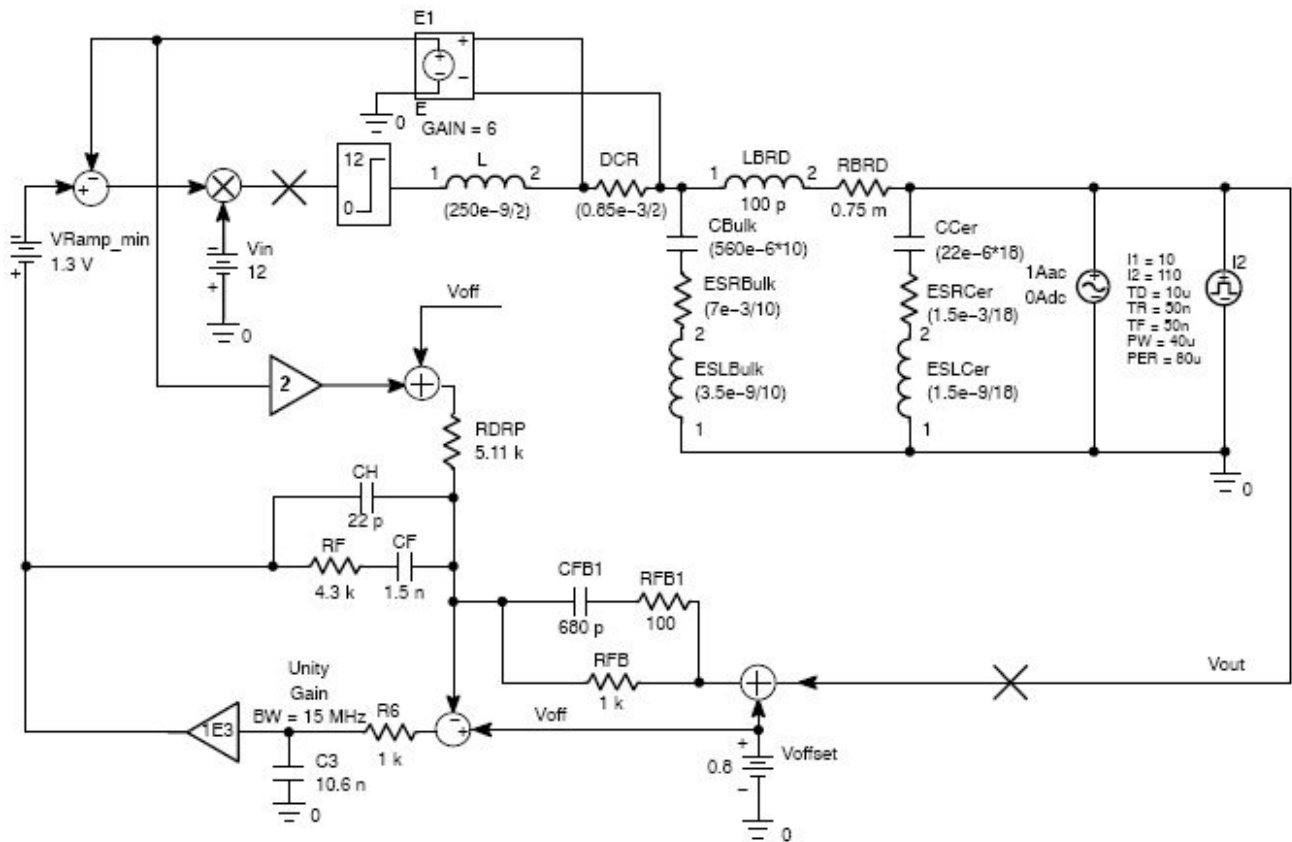


Figure 20.

**Droop Injection**

The VDRP signal is generated by summing the sensed output currents for each phase and applying a gain of approximately six. VDRP is externally summed into the feedback network by the resistor RDRP. This induces an offset which is proportional to the output current thereby forcing the controlled resistive output impedance.

RRDP determines the target output impedance by the basic equation:

$$\frac{V_{out}}{I_{out}} = Z_{out} = \frac{R_{FB} \cdot DCR \cdot 5.94}{RDRP} \quad (\text{eq. 6})$$

$$RDRP = \frac{R_{FB} \cdot DCR \cdot 5.94}{Z_{out}}$$

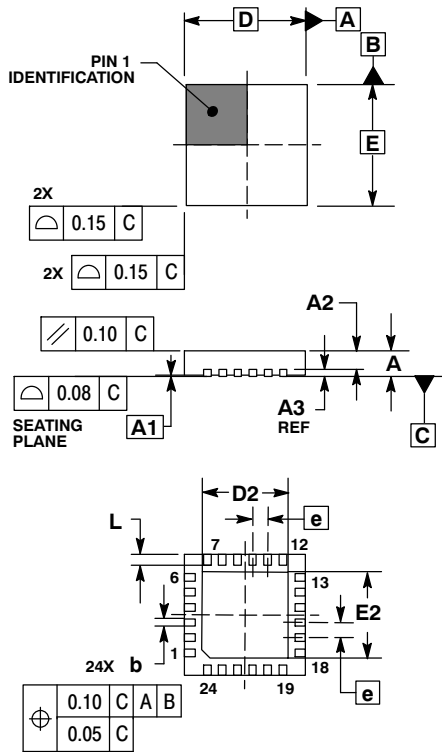
**Thermal Shutdown**

The NCP5383 also provides Thermal Shutdown (TSD) for added protection. The TSD circuit monitors the die temperature and turns off the top and bottom gate drivers if an over temperature condition is detected. The internal soft-start capacitor is also discharged. This is a latched state and requires a power cycle to reset.

# NCP5383

## PACKAGE DIMENSIONS

24 PIN QFN, 4x4  
CASE 485L-01  
ISSUE O



### NOTES:

1. DIMENSIONING AND TOLERANCING PER ASME Y14.5M, 1994.
2. CONTROLLING DIMENSION: MILLIMETERS.
3. DIMENSION b APPLIES TO PLATED TERMINAL AND IS MEASURED BETWEEN 0.25 AND 0.30 MM FROM TERMINAL.
4. COPLANARITY APPLIES TO THE EXPOSED PAD AS WELL AS THE TERMINALS.

DIM	MILLIMETERS	
	MIN	MAX
A	0.80	1.00
A1	0.00	0.05
A2	0.60	0.80
A3	0.20 REF	
b	0.23	0.28
D	4.00 BSC	
D2	2.70	2.90
E	4.00 BSC	
E2	2.70	2.90
e	0.50 BSC	
L	0.35	0.45

ON Semiconductor and are registered trademarks of Semiconductor Components Industries, LLC (SCILLC). SCILLC reserves the right to make changes without further notice to any products herein. SCILLC makes no warranty, representation or guarantee regarding the suitability of its products for any particular purpose, nor does SCILLC assume any liability arising out of the application or use of any product or circuit, and specifically disclaims any and all liability, including without limitation special, consequential or incidental damages. "Typical" parameters which may be provided in SCILLC data sheets and/or specifications can and do vary in different applications and actual performance may vary over time. All operating parameters, including "Typicals" must be validated for each customer application by customer's technical experts. SCILLC does not convey any license under its patent rights nor the rights of others. SCILLC products are not designed, intended, or authorized for use as components in systems intended for surgical implant into the body, or other applications intended to support or sustain life, or for any other application in which the failure of the SCILLC product could create a situation where personal injury or death may occur. Should Buyer purchase or use SCILLC products for any such unintended or unauthorized application, Buyer shall indemnify and hold SCILLC and its officers, employees, subsidiaries, affiliates, and distributors harmless against all claims, costs, damages, and expenses, and reasonable attorney fees arising out of, directly or indirectly, any claim of personal injury or death associated with such unintended or unauthorized use, even if such claim alleges that SCILLC was negligent regarding the design or manufacture of the part. SCILLC is an Equal Opportunity/Affirmative Action Employer. This literature is subject to all applicable copyright laws and is not for resale in any manner.

### PUBLICATION ORDERING INFORMATION

**LITERATURE FULFILLMENT:**  
Literature Distribution Center for ON Semiconductor  
P.O. Box 5163, Denver, Colorado 80217 USA  
**Phone:** 303-675-2175 or 800-344-3860 Toll Free USA/Canada  
**Fax:** 303-675-2176 or 800-344-3867 Toll Free USA/Canada  
**Email:** orderlit@onsemi.com

**N. American Technical Support:** 800-282-9855 Toll Free  
USA/Canada  
**Europe, Middle East and Africa Technical Support:**  
Phone: 421 33 790 2910  
**Japan Customer Focus Center**  
Phone: 81-3-5773-3850

**ON Semiconductor Website:** [www.onsemi.com](http://www.onsemi.com)

**Order Literature:** <http://www.onsemi.com/orderlit>

For additional information, please contact your local Sales Representative