

KK74LV241

OCTAL BUFFER/LINE DRIVE; 3-STATE

The KK74LV241 is a low-voltage Si-gate CMOS device and is pin and function compatible with KK74HC/HCT241.

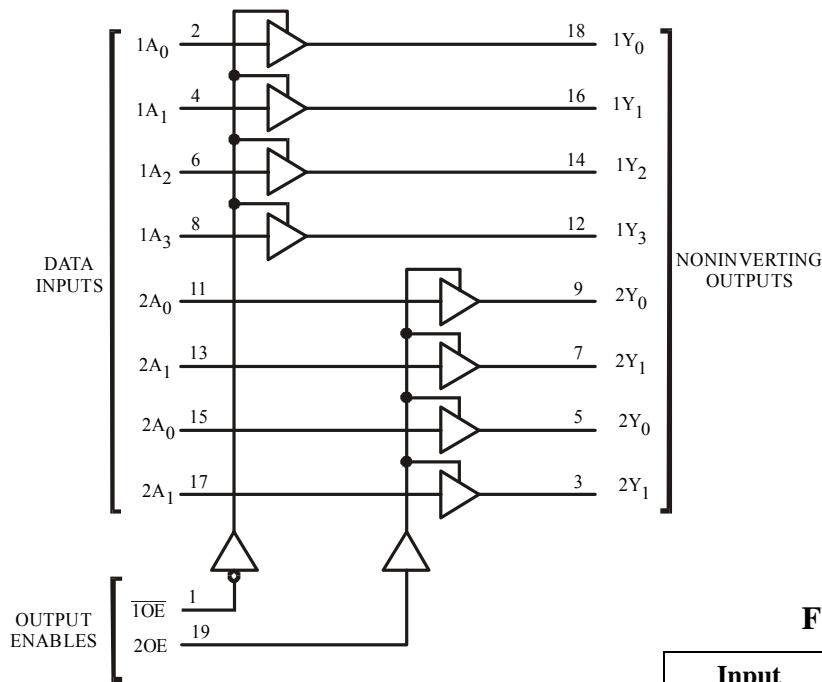
The KK74LV241 is an octal non-inverting buffer/line driver with 3-state outputs. The 3-state outputs are controlled by the output enable inputs 1OE and 2OE.

- Outputs Directly Interface to CMOS, NMOS, and TTL
- Operating Voltage Range: 1.2 to 3.6 V
- Low Input Current: 1.0 μ A, 0.1 μ A at T = 25 °C
- Output Current: 8 mA at V_{CC} = 3.0 V
- High Noise Immunity Characteristic of CMOS Devices

ORDERING INFORMATION

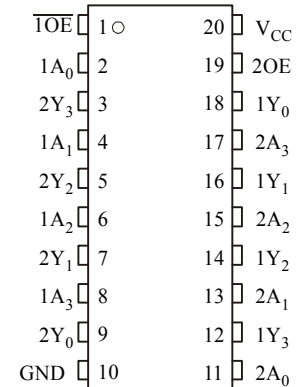
KK74LV241N Plastic DIP
KK74LV241DW SOIC
 T_A = -40° to 125° C for all packages

LOGIC DIAGRAM



PIN 20 = V_{CC}
 PIN 10 = GND

PIN ASSIGNMENT



FUNCTION TABLE

Input		Output	Input		Output
1OE	1A _n	1Y _n	2OE	2A _n	2Y _n
L	L	L	H	L	L
L	H	H	H	H	H
H	X	Z	L	X	Z

H= high level
 L = low level
 X = don't care
 Z = high impedance

MAXIMUM RATINGS*

Symbol	Parameter	Value	Unit
V_{CC}	DC supply voltage	-0.5 to +5.0	V
I_{IK}^{*1}	DC Input diode current	± 20	mA
I_{OK}^{*2}	DC Output diode current	± 50	mA
I_O^{*3}	DC Output source or sink current	± 35	mA
I_{CC}	DC V_{CC} current	± 70	mA
I_{GND}	DC GND current	± 70	mA
P_D	Power dissipation per package: * ⁴ Plastic DIP SO	750	mW
		500	
T_{stg}	Storage Temperature	-65 to +150	°C
T_L	Lead Temperature, 1.5 mm (Plastic DIP Package), 0.3 mm (SO Package) from Case for 4 Seconds	260	°C

*Maximum Ratings are those values beyond which damage to the device may occur. Functional operation should be restricted to the Recommended Operating Conditions.

*¹ $V_I < -0.5\text{ V}$ or $V_I > V_{CC} + 0.5\text{ V}$.

*² $V_O < -0.5\text{ V}$ or $V_O > V_{CC} + 0.5\text{ V}$.

*³ $-0.5\text{ V} < V_O < V_{CC} + 0.5\text{ V}$.

*⁴ Derating - Plastic DIP: - 12 mW/°C from 70° to 125°C
SO Package: - 8 mW/°C from 70° to 125°C

RECOMMENDED OPERATING CONDITIONS

Symbol	Parameter	Min	Max	Unit	
V_{CC}	DC Supply Voltage	1.2	3.6	V	
V_I	Input Voltage	0	V_{CC}	V	
V_O	Output Voltage	0	V_{CC}	V	
T_A	Operating Temperature, All Package Types	-40	+125	°C	
t_r, t_f	Input Rise and Fall Time (Figure 1)	$V_{CC} = 1.2\text{ V}$	0	1000	ns
		$V_{CC} = 2.0\text{ V}$	0	700	
		$V_{CC} = 3.0\text{ V}$	0	500	
		$V_{CC} = 3.6\text{ V}$	0	400	

This device contains protection circuitry to guard against damage due to high static voltages or electric fields. However, precautions must be taken to avoid applications of any voltage higher than maximum rated voltages to this high-impedance circuit. For proper operation, V_{IN} and V_{OUT} should be constrained to the range $GND \leq (V_{IN} \text{ or } V_{OUT}) \leq V_{CC}$.

Unused inputs must always be tied to an appropriate logic voltage level (e.g., either GND or V_{CC}). Unused outputs must be left open.

DC ELECTRICAL CHARACTERISTICS (Voltages Referenced to GND)

Symbol	Parameter	Test conditions	V _{CC} V	Guaranteed Limit						Unit
				25°C		-40°C to 85°C		125°C		
				min	max	min	max	min	max	
V _{IH}	HIGH level input voltage		1.2	0.9	-	0.9	-	0.9	-	V
			2.0	1.4	-	1.4	-	1.4	-	
			3.0	2.1	-	2.1	-	2.1	-	
			3.6	2.5	-	2.5	-	2.5	-	
V _{IL}	LOW level input voltage		1.2	-	0.3	-	0.3	-	0.3	V
			2.0	-	0.6	-	0.6	-	0.6	
			3.0	-	0.9	-	0.9	-	0.9	
			3.6	-	1.1	-	1.1	-	1.1	
V _{OH}	HIGH level output voltage	V _I = V _{IH} or V _{IL} I _O = -50 μA	1.2	1.1	-	1.0	-	1.0	-	V
			2.0	1.92	-	1.9	-	1.9	-	
			3.0	2.92	-	2.9	-	2.9	-	
			3.6	3.52	-	3.5	-	3.5	-	
			V _I = V _{IH} or V _{IL} I _O = -8 mA	3.0	2.48	-	2.34	-	2.20	-
V _{OL}	LOW level output voltage	V _I = V _{IH} or V _{IL} I _O = 50 μA	1.2	-	0.09	-	0.1	-	0.1	V
			2.0	-	0.09	-	0.1	-	0.1	
			3.0	-	0.09	-	0.1	-	0.1	
			3.6	-	0.09	-	0.1	-	0.1	
			V _I = V _{IH} or V _{IL} I _O = 8 mA	3.0	-	0.33	-	0.4	-	0.5
I _I	Input current	V _I = V _{CC} or 0 V	*	-	±0.1	-	±1.0	-	±1.0	μA
I _{OZ}	Three state leakage current	3-state outputs V _I (01, 19) = V _{IH} V _O = V _{CC} or 0 V	1.2 *	-	±0.5	-	±5	-	±10	μA
I _{CC}	Supply current	V _I = V _{CC} or 0 V I _O = 0 μA	*	-	8.0	-	80	-	160	μA

* V_{CC} = 3.3 ± 0.3 V

AC ELECTRICAL CHARACTERISTICS ($C_L=50\text{ pF}$, $t_r=t_f=6.0\text{ ns}$)

Symbol	Parameter	Test conditions	V_{CC} V	Guaranteed Limit						Unit
				25°C		-40°C to 85°C		125°C		
				min	max	min	max	min	max	
t_{PHL} , t_{PLH}	Propagation delay, 1An to 1Yn, 2An to 2Yn	$V_I = 0\text{ V}$ or V_{CC} Figure 1 and 3	1.2 2.0 *	- 100 24 15	- - - -	125 30 19	- - -	150 36 23	ns	
t_{PHZ} , t_{PLZ}	Propagation delay, $\overline{1OE}$ to 1Yn, 2OE to 2Yn	$V_I = 0\text{ V}$ or V_{CC} Figure 2 and 4	1.2 2.0 *	- 140 30 20	- - -	175 35 24	- - -	210 41 28	ns	
t_{PZH} , t_{PZL}	Propagation delay, $\overline{1OE}$ to 1Yn, 2OE to 2Yn	$V_I = 0\text{ V}$ or V_{CC} Figure 2 and 4	1.2 2.0 *	- 140 32 20	- - -	175 40 25	- - -	210 48 30	ns	
t_{THL} , t_{TLH}	Output Transition Time, Any Output	$V_I = 0\text{ V}$ or V_{CC} Figure 1 and 3	1.2 2.0 *	- 60 16 10	- - -	75 20 13	- - -	90 24 15	ns	
C_I	Input capacitance		3.0	-	7.0	-	7.0	-	7.0	pF
C_{PD}	Power dissipation capacitance (per one channel)	$V_I = 0\text{ V}$ or V_{CC}		-	70	-	-	-	-	pF

* $V_{CC} = 3.3 \pm 0.3\text{ V}$

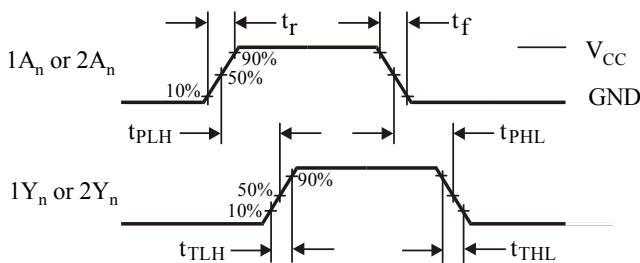


Figure 1. Switching Waveforms

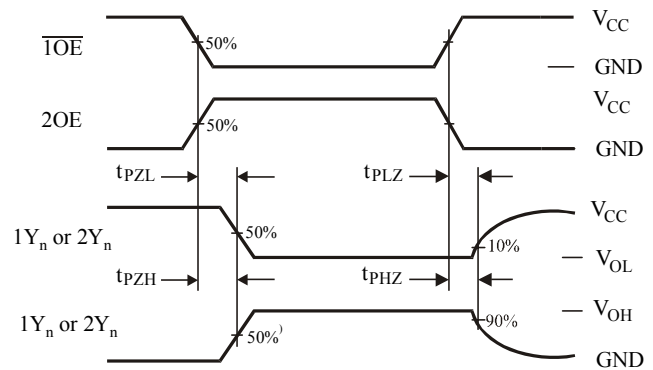
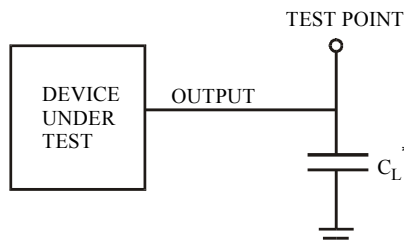
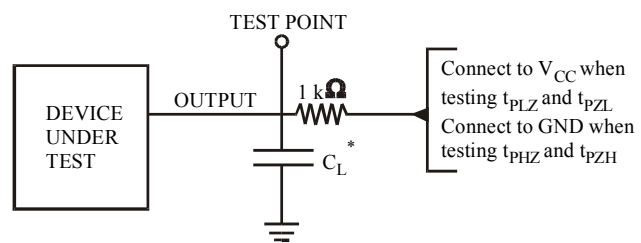


Figure 2. Switching Waveforms



* Includes all probe and jig capacitance

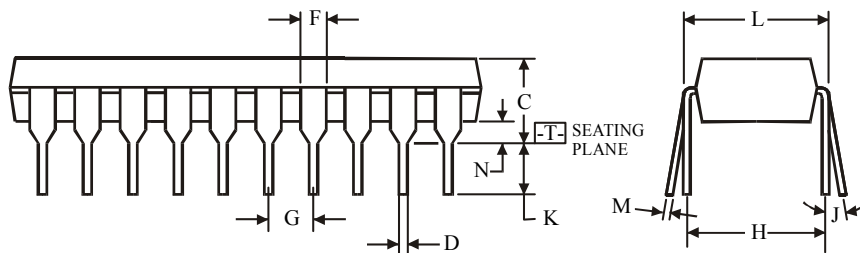
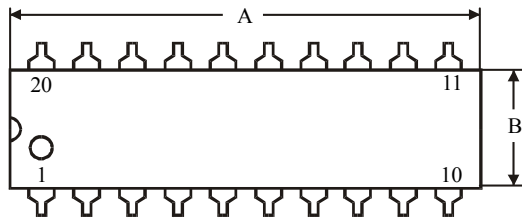
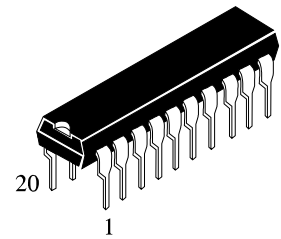
Figure 3. Test Circuit



* Includes all probe and jig capacitance

Figure 4. Test Circuit

N SUFFIX PLASTIC DIP (MS - 001AD)



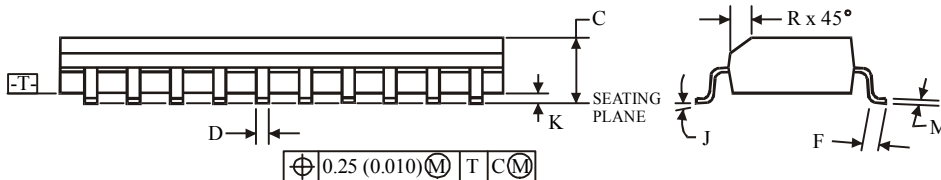
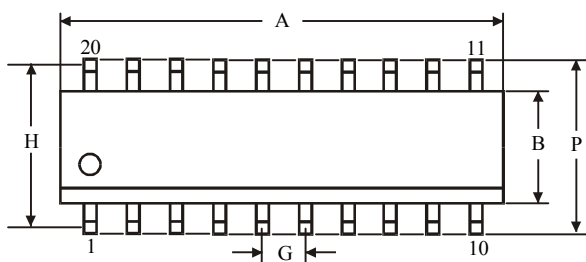
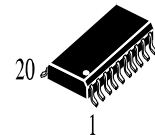
$\oplus 0.25 (0.010) \text{M} \text{T}$

NOTES:

- Dimensions "A", "B" do not include mold flash or protrusions.
Maximum mold flash or protrusions 0.25 mm (0.010) per side.

Symbol	Dimension, mm	
	MIN	MAX
A	24.89	26.92
B	6.1	7.11
C		5.33
D	0.36	0.56
F	1.14	1.78
G	2.54	
H	7.62	
J	0°	10°
K	2.92	3.81
L	7.62	8.26
M	0.2	0.36
N	0.38	

D SUFFIX SOIC (MS - 013AC)



$\oplus 0.25 (0.010) \text{M} \text{T} \text{C} \text{M}$

NOTES:

- Dimensions A and B do not include mold flash or protrusion.
- Maximum mold flash or protrusion 0.15 mm (0.006) per side for A; for B - 0.25 mm (0.010) per side.

Symbol	Dimension, mm	
	MIN	MAX
A	12.6	13
B	7.4	7.6
C	2.35	2.65
D	0.33	0.51
F	0.4	1.27
G	1.27	
H	9.53	
J	0°	8°
K	0.1	0.3
M	0.23	0.32
P	10	10.65
R	0.25	0.75