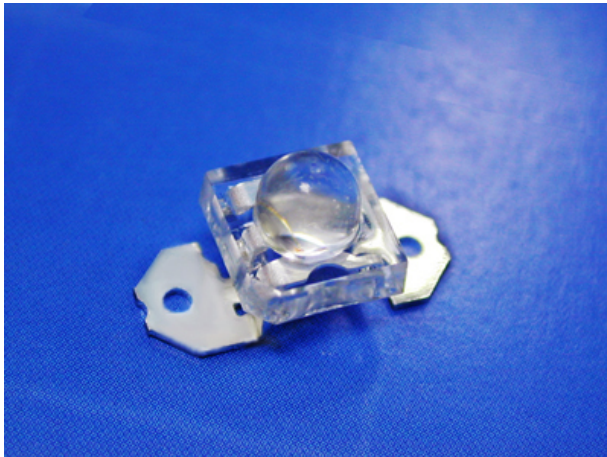


PRELIMINARY SPEC

Part Number: WP7700C4PBC/Z



Features:

- *HIGH LUMINANCE OUTPUT.
- *DESIGN FOR HIGH CURRENT OPERATION.
- *SOLDERLESS MOUNTING TECHNIQUE.
- *LOW POWER CONSUMPTION.
- *LOW THERMAL RESISTANCE.
- *LOW PROFILE.
- *PACKAGE IN TUBES FOR USE WITH AUTOMATIC INSERTION EQUIPMENT.
- *RoHS COMPLIANT.

Technical Data



ATTENTION
OBSERVE PRECAUTIONS
FOR HANDLING
ELECTROSTATIC
DISCHARGE
SENSITIVE
DEVICES

Description

Static electricity and surge damage the LEDs. It is recommended to use a wrist band or anti-electrostatic glove when handling the LEDs.

All devices, equipment and machinery must be electrically grounded.

Benefits:

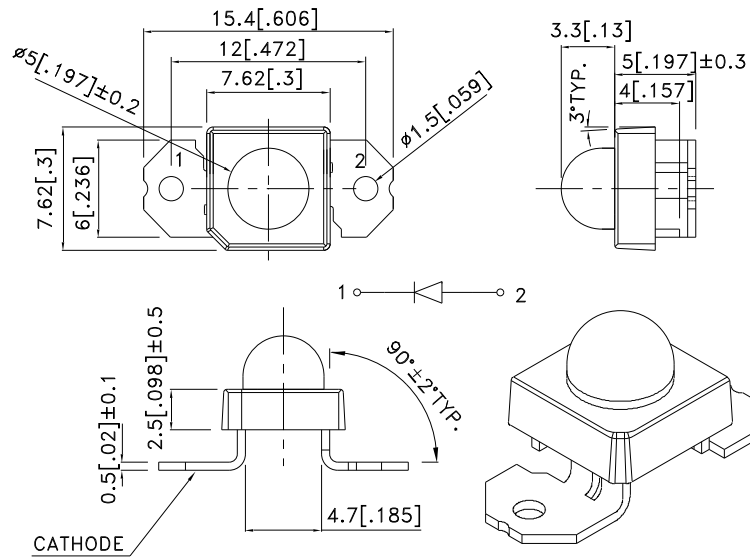
- *Rugged Lighting Products.
- *Electricity savings.
- *Maintenance savings.
- *Environmental Conformance.

Typical Applications:

- *Automotive Exterior Lighting.
- *Solid State Lighting and Signaling.

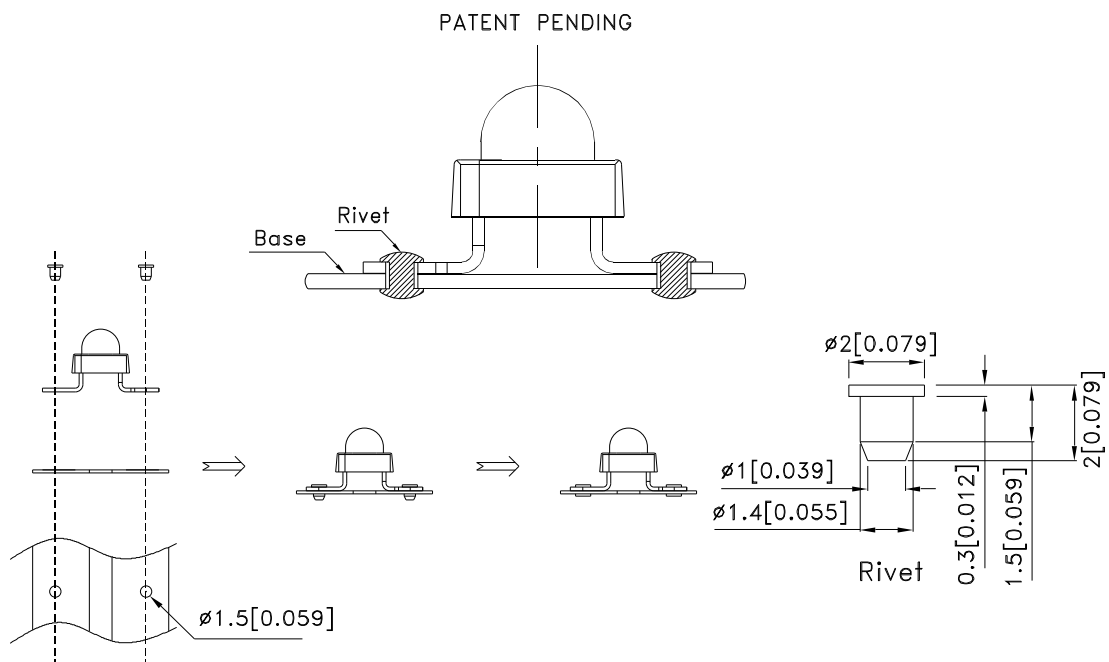


Outline Drawings



Notes:

1. All dimensions are in millimeters (inches).
2. Tolerance is ± 0.25 (0.01") unless otherwise noted.
3. Lead spacing is measured where the leads emerge from the package.
4. Specifications are subject to change without notice.



Absolute Maximum Ratings at TA=25°C

PARAMETER	PB/Z	UNITS
DC Forward Current	50	mA
Power dissipation	210	mW
Reverse Voltage	5	V
Operating Temperature	-40 To +85	°C
Storage Temperature	-55 To +85	°C

Selection Guide

Part No.	LED COLOR	Iv(cd)[1] @50mA		Φv(lm)[1] @50mA	Viewing Angle[2] 2θ1/2
		Min.	Typ.	Typ.	Typ.
WP7700C4PBC/Z	Blue (InGaN)	3.8	8	2.3	25°

Notes:

- Luminous intensity is measured with an integrating sphere after the device has stabilized; Luminous Intensity / luminous flux: +/-15%.
- θ1/2 is the angle from optical centerline where the luminous intensity is 1/2 the optical centerline value.

Optical Characteristics at TA=25°C If=50mA Rθj-a=200°C/W

DEVICE TYPE	PEAK WAVELENGTH λPEAK (nm) TYP.	DOMINANT[1] WAVELENGTH λDOM (nm) TYP.	SPECTRAL LINE WAVELENGTH Δλ1/2(nm) TYP.
PB/Z	458	465	22

Note:

- The dominant wavelength is derived from the CIE Chromaticity Diagram and represents the perceived color of the device; Wavelength: +/-1nm.

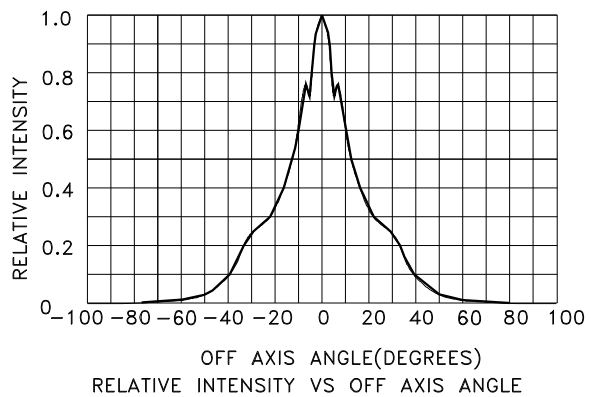
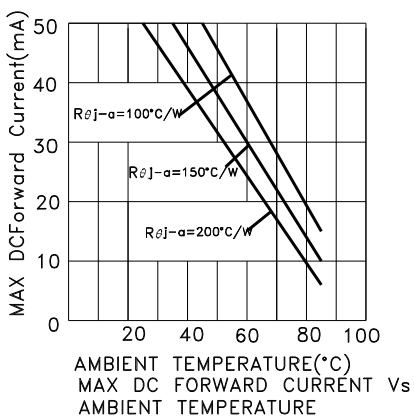
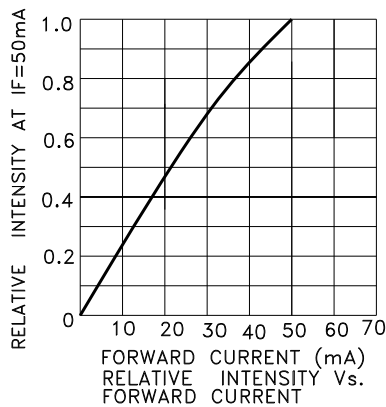
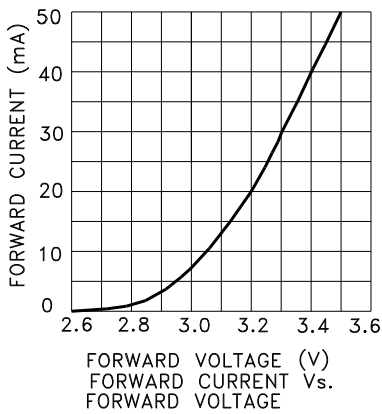
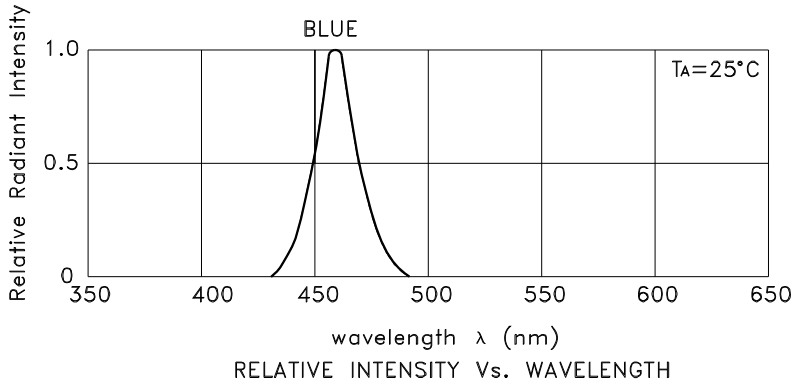
Electrical Characteristics at TA=25°C

DEVICE TYPE	FORWARD VOLTAGE [1] Vf (VOLTS) @ If=50mA		REVERSE CURRENT Ir (uA) @ VR=5V	CAPACITANCE C (pF) @ VF=0V F=1MHZ	THERMAL RESISTANCE Rθj -pin °C/W
	TYP.	MAX.	MAX.	TYP.	TYP.
PB/Z	3.5	4.2	10	110	130

Note:

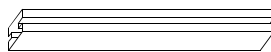
- Forward Voltage: +/-0.1V.

Figures

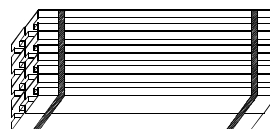


PACKING & LABEL SPECIFICATIONS

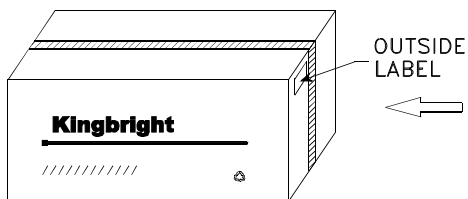
WP7700C4PBC/Z



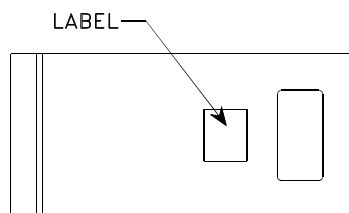
65PCS / IC TUBE



520pcs / 8pcs IC TUBE



5.2K / 6# BOX



8pcs IC TUBE / Bag

Kingbright

P/NO: WP7700C4xxx

QTY: 520 pcs

Q.C.



S/N: XXXX

CODE: XXX

LOT NO:



RoHS Compliant