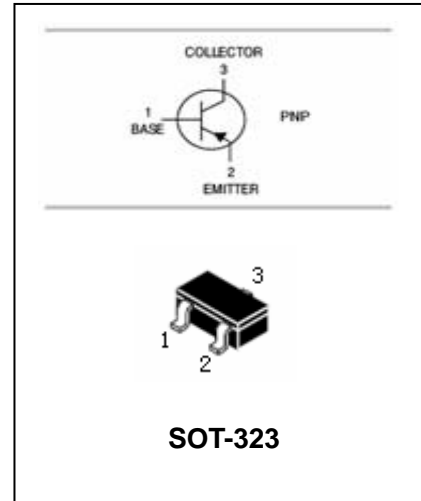


PNP Silicon Epitaxial Planar Transistor

MMST2907A

FEATURES

- Power dissipation.($P_C=200\text{mW}$)
- Epitaxial planar die construction.
- Complements the MMST2222A.



APPLICATIONS

- General purpose application.

ORDERING INFORMATION

Type No.	Marking	Package Code
MMST2907A	K3F	SOT-323

MAXIMUM RATING @ $T_a=25^\circ\text{C}$ unless otherwise specified

Symbol	Parameter	Value	Units
V_{CBO}	Collector-Base Voltage	-60	V
V_{CEO}	Collector-Emitter Voltage	-60	V
V_{EBO}	Emitter-Base Voltage	-5	V
I_C	Collector Current -Continuous	-600	mA
P_C	Collector Dissipation	200	mW
T_j, T_{stg}	Junction and Storage Temperature	-55~150	$^\circ\text{C}$

PNP Silicon Epitaxial Planar Transistor

MMST2907A

ELECTRICAL CHARACTERISTICS @ Ta=25°C unless otherwise specified

Parameter	Symbol	Test conditions	MIN	MAX	UNIT
Collector-base breakdown voltage	$V_{(BR)CBO}$	$I_C = -10\mu A, I_E = 0$	-60		V
Collector-emitter breakdown voltage	$V_{(BR)CEO}$	$I_C = -10mA, I_B = 0$	-50		V
Emitter-base breakdown voltage	$V_{(BR)EBO}$	$I_E = -10\mu A, I_C = 0$	-5		V
Collector cut-off current	I_{CBO}	$V_{CB} = -50V, I_E = 0$		-10	nA
DC current gain	h_{FE}	$V_{CE} = -10V, I_C = -0.1mA$ $V_{CE} = -10V, I_C = -1.0mA$ $V_{CE} = -10V, I_C = -10mA$ $V_{CE} = -10V, I_C = -150mA$ $V_{CE} = -10V, I_C = -500mA$	75 100 100 100 50	300	
Collector-emitter saturation voltage	$V_{CE(sat)}$	$I_C = -150mA, I_B = -15mA$ $I_C = -500mA, I_B = -50mA$		-0.4 -1.6	V
Base-emitter saturation voltage	$V_{BE(sat)}$	$I_C = -150mA, I_B = -15mA$ $I_C = -150mA, I_B = -15mA$		-1.3 -2.6	V
Transition frequency	f_T	$V_{CE} = -12V, I_C = -2mA$ $f = 30MHz$	140		MHz
Collector output capacitance	C_{obo}	$V_{CB} = -10V, I_E = 0, f = 1MHz$		8	pF
Collector input capacitance	C_{ibo}	$V_{EB} = -2.0V, I_C = 0, f = 1MHz$		30	pF
Turn-on time	t_{on}				
Delay time	t_d	$V_{CC} = -30V, I_C = -150mA,$ $I_{B1} = -15mA$			
Rise time	t_r				
Turn-off time	t_{off}				
Storage time	t_s	$V_{CC} = -6.0V, I_C = -150mA,$ $I_{B1} = I_{B2} = -15mA$			
Fall time	t_f				

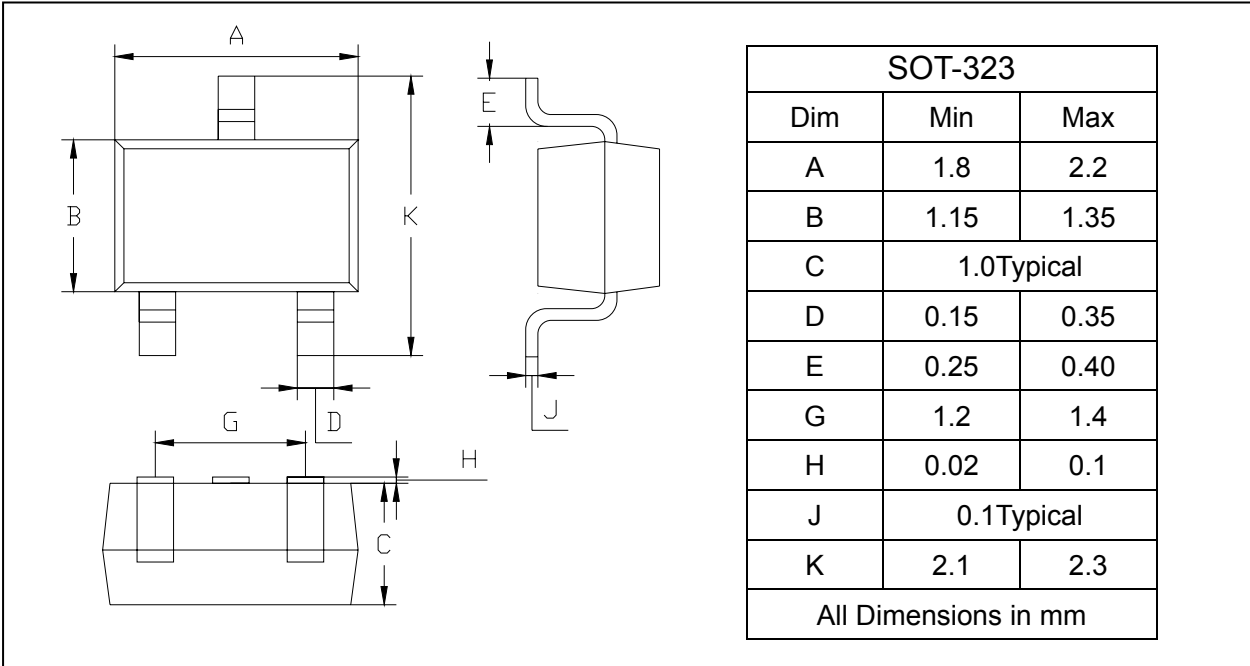
PNP Silicon Epitaxial Planar Transistor

MMST2907A

PACKAGE OUTLINE

Plastic surface mounted package

SOT-323



PACKAGE INFORMATION

Device	Package	Shipping
MMST2907A	SOT-323	3000/Tape&Reel