

DATA SHEET

ZMM55-C2V4 SERIES

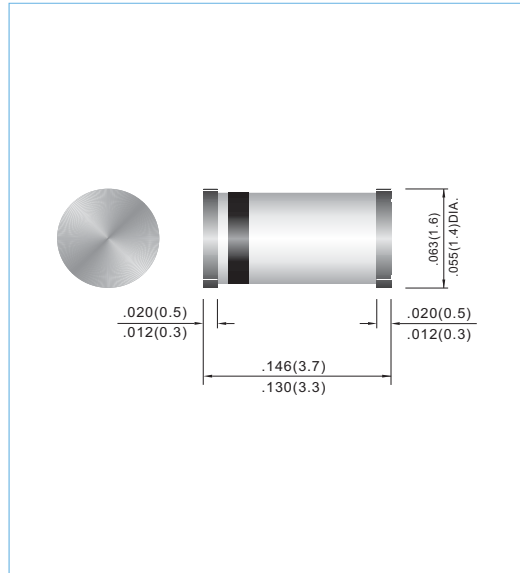
SURFACE MOUNT ZENER DIODES

VOLTAGE 2.4 to 100 Volts **POWER** 500 mWatts

MINI-MELF/LL-34 Unit : inch (mm)

FEATURES

- Planar Die construction
- 500mW Power Dissipation
- Ideally Suited for Automated Assembly Processes
- In compliance with EU RoHS 2002/95/EC directives



MECHANICAL DATA

- Case: Molded Glass MINI-MELF
- Terminals: Solderable per MIL-STD-750, Method 2026
- Polarity: See Diagram Below
- Approx. Weight: 0.03 grams
- Mounting Position: Any
- Packing information

T/R - 2.5K per 7" plastic Reel

MAXIMUM RATINGS AND ELECTRICAL CHARACTERISTICS

Parameter	Symbol	Value	Units
Power Dissipation at Tamb = 25 °C	P _{TOT}	500	mW
Junction Temperature	T _J	175	°C
Storage Temperature Range	T _S	-55 to +175	°C

Valid provided that leads at a distance of 8mm from case are kept at ambient temperature.

Parameter	Symbol	Min.	Typ.	Max.	Units
Thermal Resistance Junction to Ambient Air	R _{thA}	—	—	0.3	K/W
Forward Voltage at I _F = 100mA	V _F	—	—	1	V

Valid provided that leads at a distance of 8mm from case are kept at ambient temperature.

Part Number	Nominal Zener Voltage			Max. Zener Impedance				Max Reverse Leakage Current		Marking code
	Vz @ IzT			ZzT @ IzT		Zzk @ Izk		IR @ VR		
	Nom. V	Min. V	Max. V	Ω	mA	Ω	mA	uA	V	
ZMM55-C2V4	2.4	2.28	2.56	85	5	600	1.0	50	1.0	C2V4
ZMM55-C2V7	2.7	2.5	2.9	85	5	600	1.0	10	1.0	C2V7
ZMM55-C3V0	3.0	2.8	3.2	85	5	600	1.0	4	1.0	C3V0
ZMM55-C3V3	3.3	3.1	3.5	85	5	600	1.0	2	1.0	C3V3
ZMM55-C3V6	3.6	3.4	3.8	85	5	600	1.0	2	1.0	C3V6
ZMM55-C3V9	3.9	3.7	4.1	85	5	600	1.0	2	1.0	C3V9
ZMM55-C4V3	4.3	4.0	4.6	75	5	600	1.0	1	1.0	C4V3
ZMM55-C4V7	4.7	4.4	5.0	60	5	600	1.0	0.5	1.0	C4V7
ZMM55-C5V1	5.1	4.8	5.4	35	5	550	1.0	0.1	1.0	C5V1
ZMM55-C5V6	5.6	5.2	6.0	25	5	450	1.0	0.1	1.0	C5V6
ZMM55-C6V2	6.2	5.8	6.6	10	5	200	1.0	0.1	2.0	C6V2
ZMM55-C6V8	6.8	6.4	7.2	8	5	150	1.0	0.1	3.0	C6V8
ZMM55-C7V5	7.5	7.0	7.9	7	5	50	1.0	0.1	5.0	C7V5
ZMM55-C8V2	8.2	7.7	8.7	7	5	50	1.0	0.1	6.0	C8V2
ZMM55-C9V1	9.1	8.5	9.6	10	5	50	1.0	0.1	7.0	C9V1
ZMM55-C10	10	9.4	10.6	15	5	70	1.0	0.1	7.5	C10V
ZMM55-C11	11	10.4	11.6	20	5	70	1.0	0.1	8.5	C11V
ZMM55-C12	12	11.4	12.7	20	5	90	1.0	0.1	9.0	C12V
ZMM55-C13	13	12.4	14.1	26	5	110	1.0	0.1	10	C13V
ZMM55-C15	15	13.8	15.6	30	5	110	1.0	0.1	11	C15V
ZMM55-C16	16	15.3	17.1	40	5	170	1.0	0.1	12	C16V
ZMM55-C18	18	16.8	19.1	50	5	170	1.0	0.1	14	C18V
ZMM55-C20	20	18.8	21.2	55	5	220	1.0	0.1	15	C20V
ZMM55-C22	22	20.8	23.3	55	5	220	1.0	0.1	17	C22V
ZMM55-C24	24	22.8	25.6	80	5	220	1.0	0.1	18	C24V
ZMM55-C27	27	25.1	28.9	80	5	220	1.0	0.1	20	C27V
ZMM55-C30	30	28	32	80	5	220	1.0	0.1	22	C30V
ZMM55-C33	33	31	35	80	5	220	1.0	0.1	24	C33V
ZMM55-C36	36	34	38	80	5	220	1.0	0.1	27	C36V
ZMM55-C39	39	37	41	90	2.5	500	1.0	0.1	30	C39V
ZMM55-C43	43	40	46	90	2.5	600	1.0	0.1	33	C43V
ZMM55-C47	47	44	50	110	2.5	700	1.0	0.1	36	C47V
ZMM55-C51	51	48	54	125	2.5	700	0.5	0.1	39	C51V
ZMM55-C56	56	52	60	135	2.5	1000	0.5	0.1	43	C56V
ZMM55-C62	62	58	66	150	2.5	1000	0.5	0.1	47	C62V
ZMM55-C68	68	64	72	200	2.5	1000	0.5	0.1	51	C68V
ZMM55-C75	75	70	79	250	2.5	1500	0.5	0.1	56	C75V
ZMM55-C82	82	77	87	300	2.5	2000	0.5	0.1	62	C82V
ZMM55-C91	91	85	96	450	1.0	5000	0.1	0.1	68	C91V
ZMM55-C100	100	94	106	450	1.0	5000	0.1	0.1	75	C100

RATING AND CHARACTERISTIC CURVES

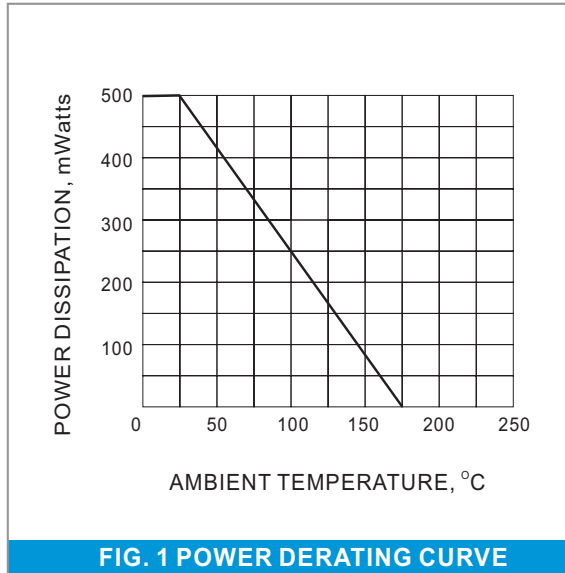


FIG. 1 POWER DERATING CURVE

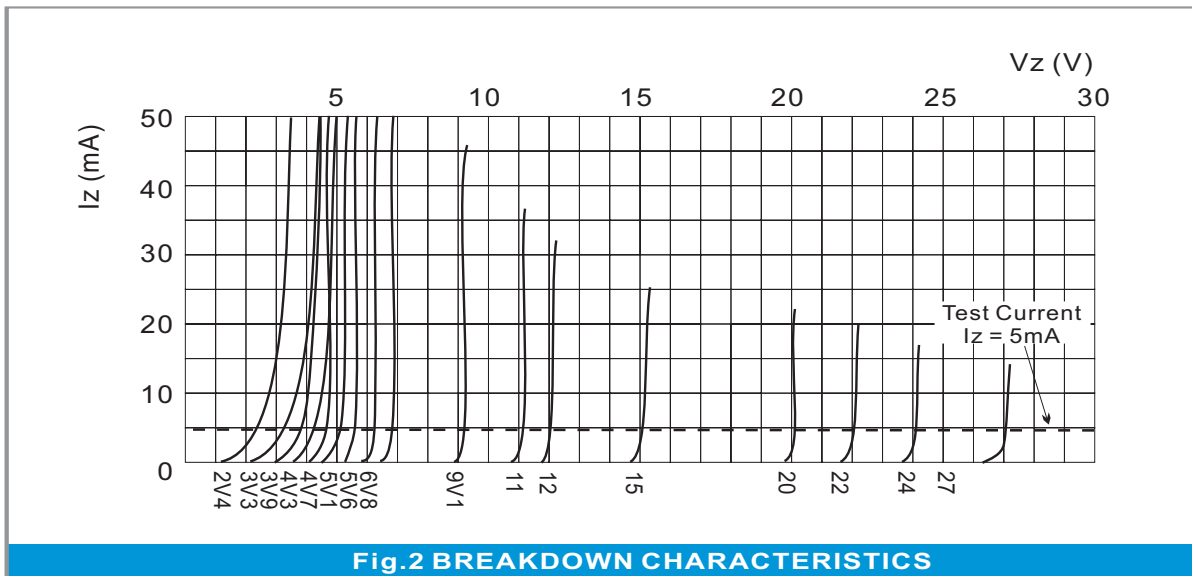
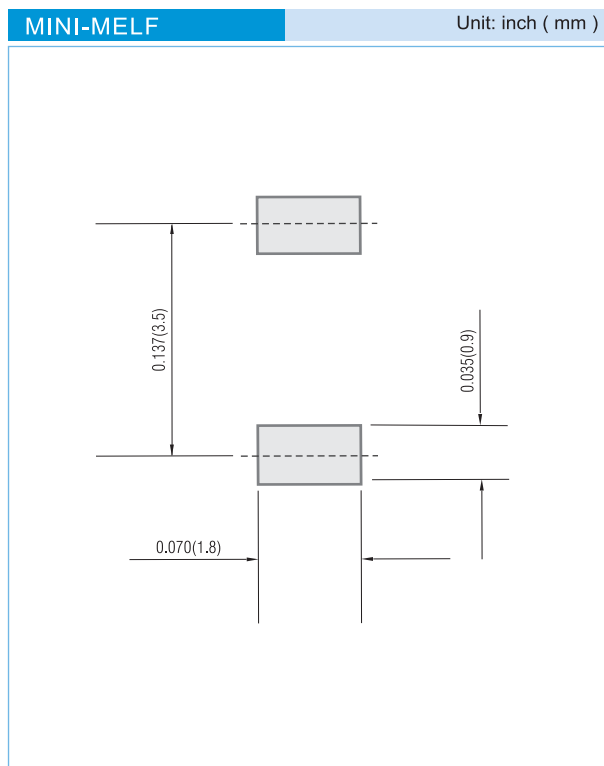


Fig.2 BREAKDOWN CHARACTERISTICS

MOUNTING PAD LAYOUT



ORDER INFORMATION

- Packing information
 - T/R - 10K per 13" plastic Reel
 - T/R - 2.5K per 7" plastic Reel

LEGAL STATEMENT

Copyright PanJit International, Inc 2007

The information presented in this document is believed to be accurate and reliable. The specifications and information herein are subject to change without notice. Pan Jit makes no warranty, representation or guarantee regarding the suitability of its products for any particular purpose. Pan Jit products are not authorized for use in life support devices or systems. Pan Jit does not convey any license under its patent rights or rights of others.