

Type: FB-7LG

Product Description

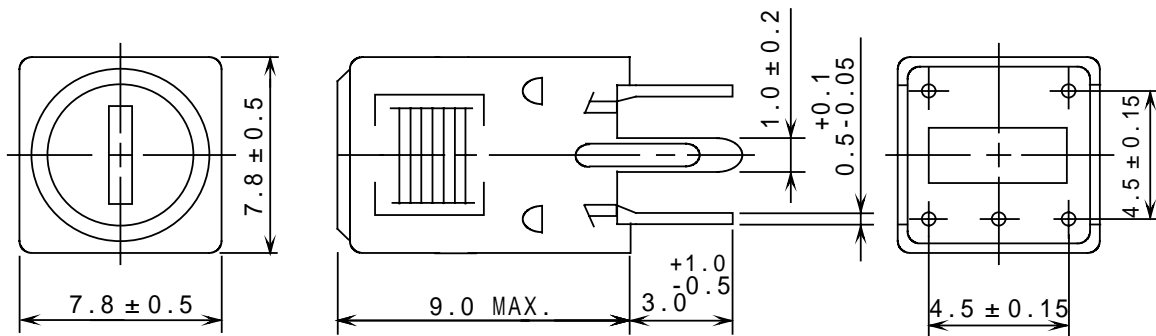
- 8.3 × 8.3mm Max.(L × W), 9.0mm Max. Height.
- Operating frequency:250kHz Max.
- In addition to the reference versions of parameters shown here, custom designs are available to meet your exact requirements.



Feature

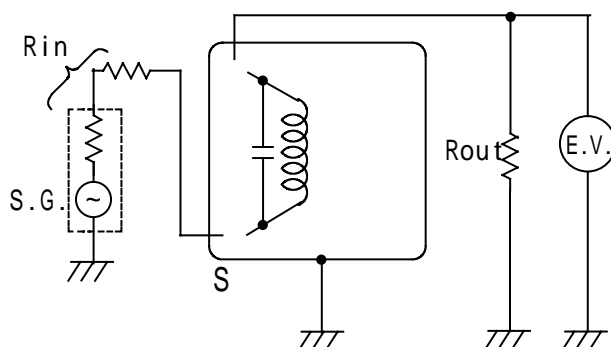
- Variable shielded type.
- Two capacitors can be internally mounted in one section.
- Ideally used as Audio Filters(LPF, BPF, Delay Line)
- RoHS Compliance

Dimensions (mm)



- * Dimension does not include solder used on coil.
- * Pin pitch should be measured at the root of terminal.

Testing Circuit



$$R_{in} = R_g + R_1 = 600\Omega$$

$$R_{out} = 600\Omega$$

Type: FB-7LG
Specification (part number: 5326-T039)

Item		Specification
Input impedance	(R in)	600Ω
Output impedance	(Rout)	600Ω
Attenuation	31.5KHz	MIN.22dB

