

DUAL SCHOTTKY RECTIFIERS

VOLTAGE RANGE: 70 - 100 V
CURRENT: 20 A

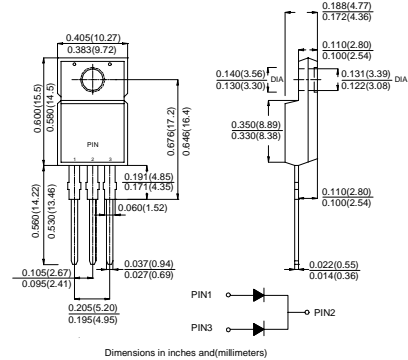
FEATURES

- ◇ High surge capacity.
- ◇ For use in low voltage, high frequency inverters, free wheeling, and polarity protection applications.
- ◇ Metal silicon junction, majority carrier conduction.
- ◇ High current capacity, low forward voltage drop.
- ◇ Guard ring for over voltage protection.

MECHANICAL DATA

- ◇ Case: JEDEC ITO-220AB, molded plastic body
- ◇ Terminals: Leads, solderable per MIL-STD-750, Method 2026
- ◇ Polarity: As marked
- ◇ Weight: 0.08 ounce, 2.24 grams
- ◇ Position: Any

ITO-220AB



inch(mm)

MAXIMUM RATINGS AND ELECTRICAL CHARACTERISTICS

Ratings at 25°C ambient temperature unless otherwise specified.

		MBRF2070CT	MBRF2080CT	MBRF2090CT	MBRF20100CT	UNITS
Maximum recurrent peak reverse voltage	V_{RRM}	70	80	90	100	V
Maximum working peak reverse voltage	V_{RWM}	49	56	63	70	V
Maximum DC blocking voltage	V_{DC}	70	80	90	100	V
Maximum average forward total device rectified current @ $T_C = 133^\circ\text{C}$	$I_{F(AV)}$	20.0				A
Peak forward surge current 8.3 ms single half sine-wave superimposed on rated load	I_{FSM}	150.0				A
Maximum forward voltage per leg (NOTE 1)	V_F		0.85 0.70 0.95 0.85			V
Maximum reverse current at rated DC blocking voltage	I_R		0.1 6.0			mA
Maximum junction capacitance (NOTE2)	C_T		400			pF
Operating junction temperature range	T_J		- 55 --- + 150			°C
Storage temperature range	T_{STG}		- 55 --- + 175			°C

NOTE: 1. Pulse test: 300µs pulse width, 1% duty cycle.

2. $V_R = 5V_{DC}$, (test signal range 100kHz to 1MHz)

www.galaxycn.com

FIG.1 – FORWARD CURRENT DERATING CURVE

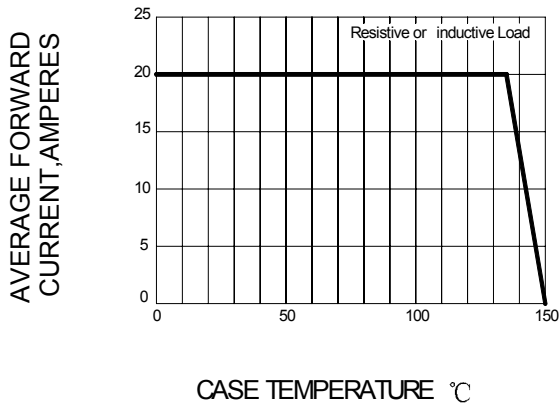


FIG.2 – MAXIMUM NON-REPETITIVE PEAK FORWARD SURGE CURRENT PER LEG

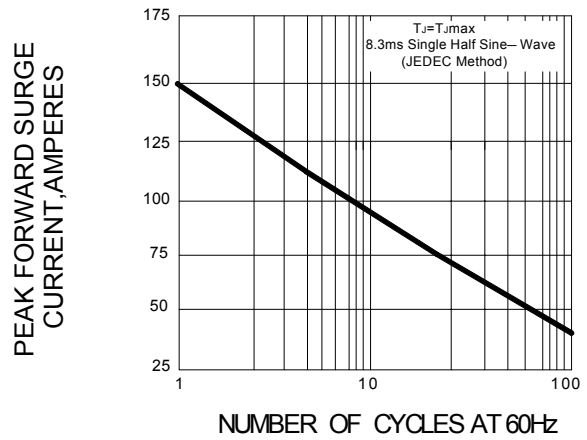


FIG.3 – TYPICAL INSTANTANEOUS FORWARD CHARACTERISTICS PER LEG

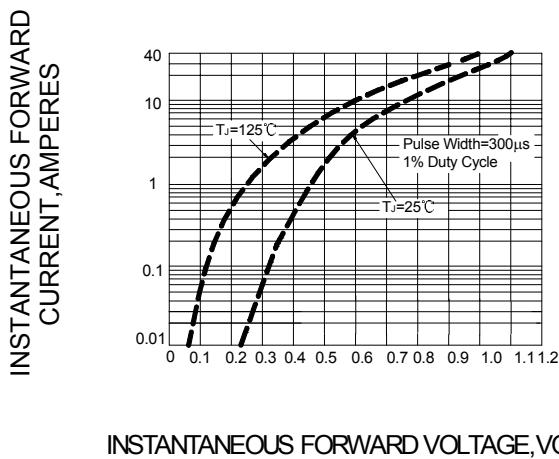


FIG.4 – TYPICAL REVERSE CHARACTERISTICS PER LEG

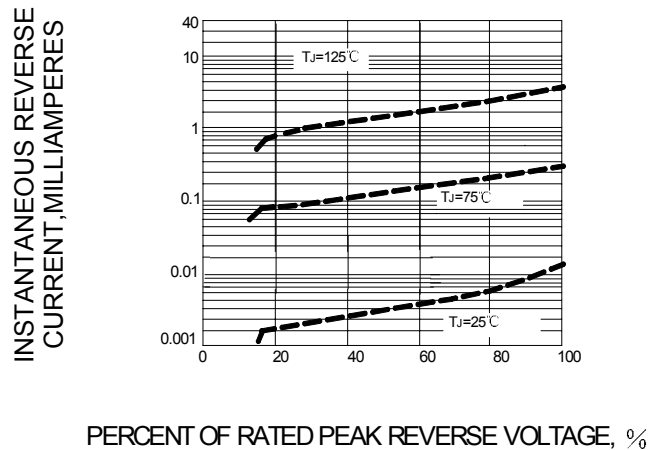


FIG.5-TYPICAL JUNCTION CAPACITANCE PER LEG

