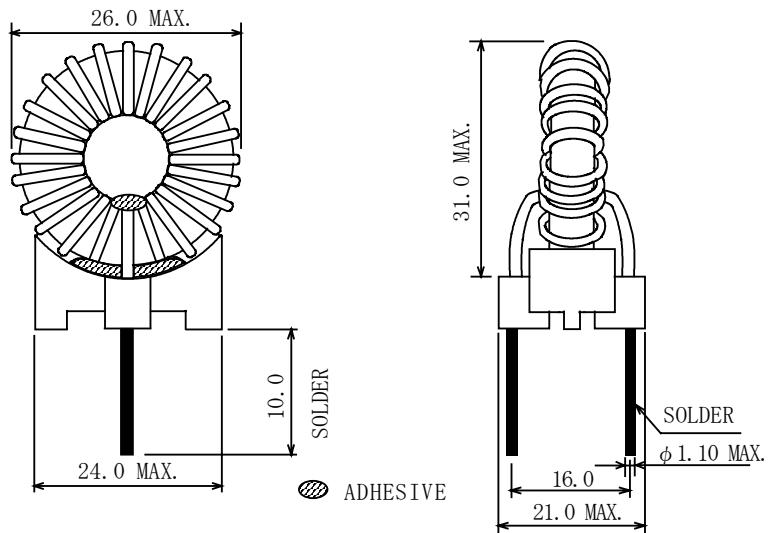


Type: PFN2028
◆ Product Description

- ϕ 26.0mm \times 31.0mm.MAX.
- Custom design is available.


◆ Feature

- Iron dust core is used to realize better DC saturation characteristics and higher noise absorption effect and less leakage magnetic flux by using toroidal core.
- Ideally used as EMI choke in power line and signal line or switching power supply for noise prevention.
- Ideally used as Power Factor Correction choke.
- RoHS Compliance.

◆ Dimensions (mm)

◆ Specification (For EMC application)

PART NO.	Inductance (μ H) [MIN.] At 1kHz	D.C.R.(m Ω) [MAX.] (at20 $^{\circ}$ C)	Rated Current (A) \times 1
PFN2028NP-NM42A	52	20(15)	6.4
PFN2028NP-NM53A	83	26(20)	5.4

※ Rated current: The DC current at which the temperature rise is $\Delta t=40^{\circ}\text{C}$. ($T_a=20^{\circ}\text{C}$).

◆ Specification (For PFC application)

Sample No.	Inductance(μ H) At 1kHz	D.C.R. (m Ω) [MAX.] (at20 $^{\circ}$ C)	Rated Current (A) \times 1
5341-T088	18.0 \pm 20%	44.0	7.0

※ Rated current: The DC current at which the inductance decreases to 90 % of it's initial value or when $\Delta t=40^{\circ}\text{C}$, whichever is lower($T_a=20^{\circ}\text{C}$).