

Type: EE1916

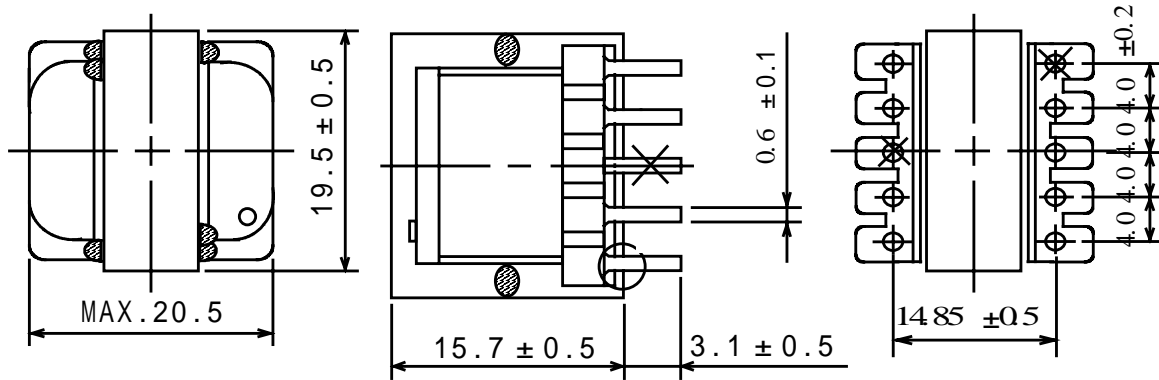
Product Description

- 20.5 × 19.5mm Max.(L × W), 16.2mm Max. Height.
- In addition to the typical versions of parameters shown here, custom designs are available to meet your exact requirements

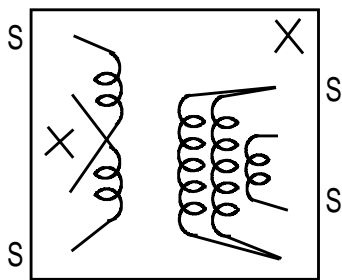
Feature

- Max. Operating frequency 300KHz.
- Ideally used in EL inverter, camera. Switching regulator.
- RoHS Compliance

Dimensions (mm)



Schematics (Bottom)



"S" is winding start

Specification

Sample No.	Inductance (4-5) 1kHz/1V	Impulse voltage (7-10)	Hi-pot (1,2,4,5,6-7,8,9,10)(50/60Hz)
1309-T001	45µH ± 10%	AC 2500Vp-p	AC 800Vrms/2sec.