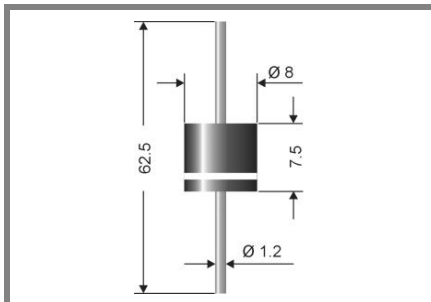


UF 600A...UF 600M



Axial lead diode

Ultrafast silicon rectifier diodes

UF 600A...UF 600M

Forward Current: 6 A

Reverse Voltage: 50 to 1000 V

Features

- Max. solder temperature: 260 °C
- Plastic material has UL classification 94V-0

Mechanical Data

- Plastic case 8 x 7,5 [mm]
- Weight approx.: 1,5 g
- Terminals: plated terminals solderable per MIL-STD-750
- Mounting position: any
- Standard packaging: 500 pieces per ammo

1) Valid, if leads are kept at ambient temperature at a distance of 10 mm from case

2) $I_F = 5 \text{ A}$, $T_J = 25 \text{ °C}$

3) $T_A = 25 \text{ °C}$

Type	Repetitive peak reverse voltage V_{RRM} V	Surge peak reverse voltage V_{RSM} V	Max. reverse recovery time $I_F = 0,5 \text{ A}$ $I_R = 1 \text{ A}$ $I_{RR} = 0,25 \text{ A}$ t_{rr} ns	Max. forward voltage $V_F^{2)}$
UF 600A	50	50	75	1,0
UF 600B	100	100	75	1,0
UF 600D	200	200	75	1,0
UF 600G	400	400	75	1,25
UF 600J	600	600	100	1,7
UF 600K	800	800	100	1,7
UF 600M	1000	1000	100	1,7

Absolute Maximum Ratings

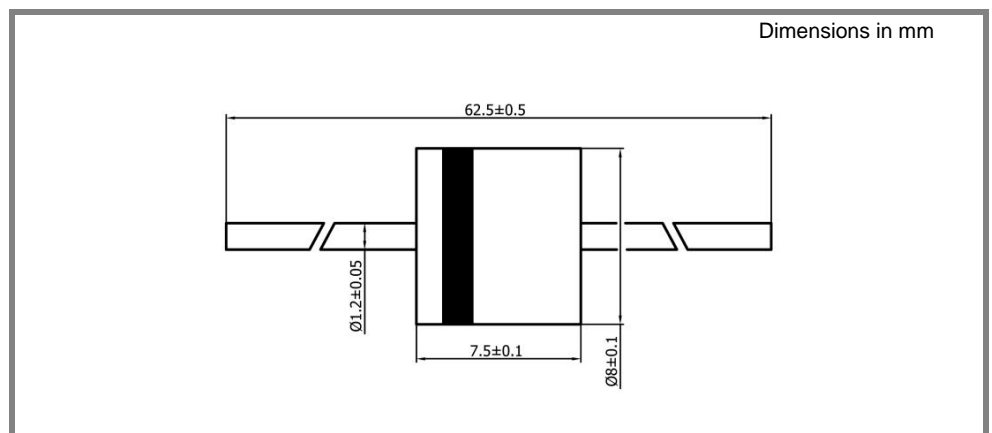
$T_A = 25 \text{ °C}$, unless otherwise specified

Symbol	Conditions	Values	Units
I_{FAV}	Max. averaged fwd. current, R-load, $T_A = 50 \text{ °C}^1)$	6	A
I_{FRM}	Repetitive peak forward current $f > 15 \text{ Hz}^1)$	60	A
I_{FSM}	Peak forward surge current 50 Hz half sinus-wave $^3)$	270	A
i^2t	Rating for fusing, $t < 10 \text{ ms}^3)$	370	A ² s
R_{thA}	Max. thermal resistance junction to ambient $^1)$	20	K/W
R_{thT}	Max. thermal resistance junction to terminals $^1)$	4	K/W
T_J	Operating junction temperature	-50...+150	°C
T_S	Storage temperature	-50...+175	°C

Characteristics

$T_A = 25 \text{ °C}$, unless otherwise specified

Symbol	Conditions	Values	Units
I_R	Maximum leakage current, $T_J = 25 \text{ °C}$; $V_R = V_{RRM}$	<25	μA
	$T_J = \text{°C}$; $V_R = V_{RRM}$		
C_J	Typical junction capacitance (at MHz and applied reverse voltage of V)	-	pF
Q_{rr}	Reverse recovery charge ($U_R = V$; $I_F = A$; $dI_F/dt = A/ms$)	-	μC
E_{RSM}	Non repetitive peak reverse avalanche energy ($I_R = mA$; $T_J = \text{°C}$; inductive load switched off)	-	mJ



case: 8 x 7,5 [mm]

