

TMX AT06

SAW Bandpass Filter – Telecom - IF
Preliminary Specification (Rev 1)

▣ Features.....	P01
▣ Package Drawing & Pin out.....	P01
▣ Technical Characteristics	P02
▣ Matching Network	P02
▣ Nominal Response.....	P03
▣ Maximum Ratings.....	P04
▣ Marking & Packaging	P04

TMX AT06

SAW Bandpass Filter – Telecom - IF

Preliminary Specification (Rev.1)- IF

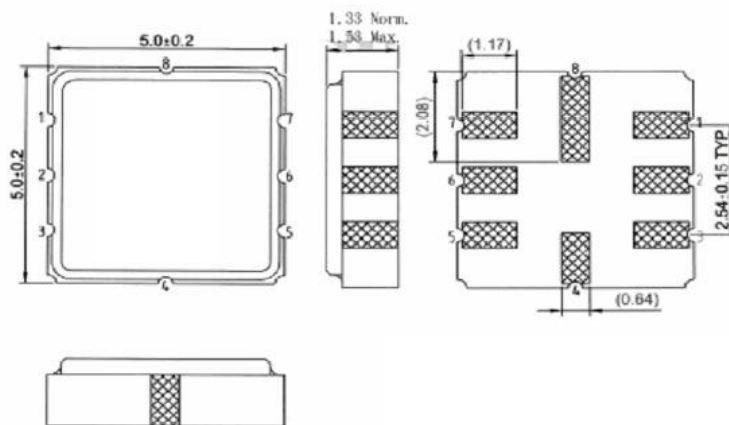
February 17th, 2006

Features

- ❑ IFSAW Filter for Telecom
- ❑ 190 MHz Center Frequency
- ❑ 10 MHz useable Passband at 1dB
- ❑ 50 Ohms Single or Balance Configuration with external matching network
- ❑ Ceramic package for Surface Mounted Technology

Package Drawing & Pin out

The product is in conformance with the European RoHs Regulation 2002/95.



Pin Configuration	
Input	3, 2
Input return	2
Output	7, 6
Output return	6
To be ground	1, 4, 5, 8

TMX AT06

SAW Bandpass Filter – Telecom - IF

Preliminary Specification (Rev.1)- IF

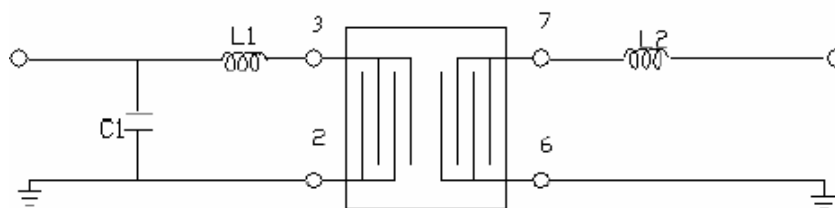
February 17th, 2006

Technical Characteristics

Reference Temperature : +25°C

Electrical Parameters	Unit	Minimum	Typical ⁽¹⁾	Maximum
Source Impedance (single)	Ohms	-	50	-
Load Impedance (single)	Ohms	-	50	-
Center Frequency f_c	MHz	-	190	-
Bandwidth at 1dB	MHz	10	15	-
Bandwidth at 3dB	MHz	-	18	-
Relative Attenuation from minimum insertion loss				
DC to 100 MHz	dB	45	55	-
100 MHz to 149 MHz	dB	30	35	-
231 MHz to 250 MHz	dB	30	35	-
250 MHz to 300 MHz	dB	45	50	-
Maximum Insertion Loss within 185MHz~195MHz	dB	-	8	10
Ripple within 185MHz~195MHz	dB	-	0.8	1
Group Delay within 185MHz~195MHz	ns	-	46	100

Matching Network



L1=100nH C1=18pF L2=47nH

TMX AT06

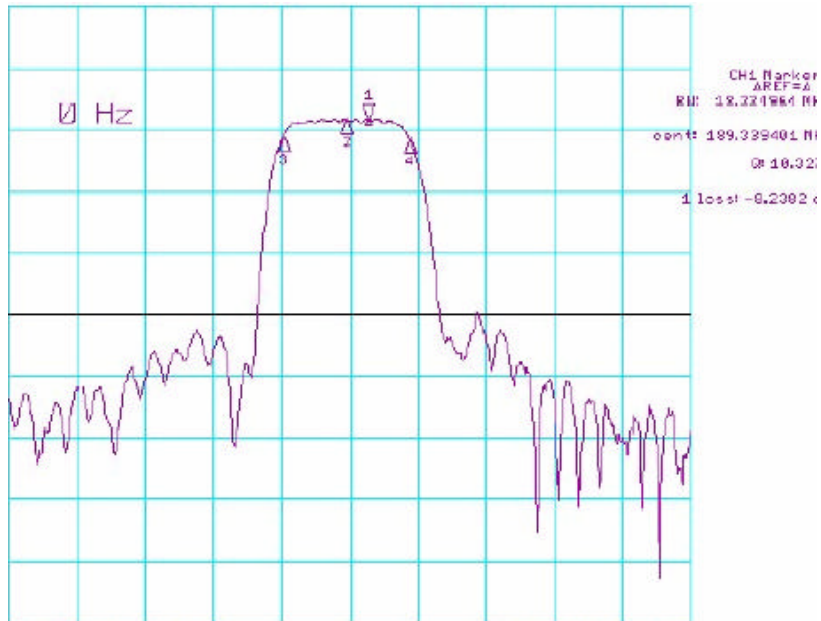
SAW Bandpass Filter – Telecom - IF

Preliminary Specification (Rev.1)- IF

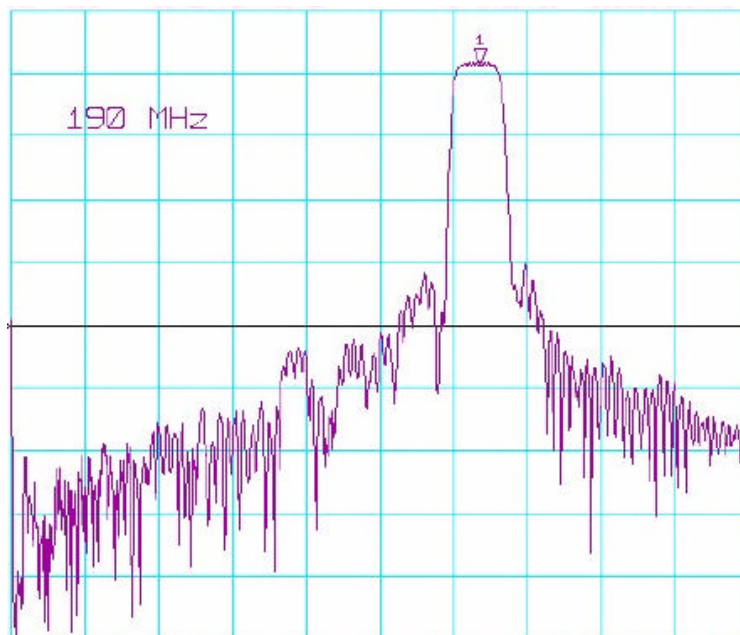
February 17th, 2006

Nominal Frequency Response

Frequency Response



Frequency Response



TMX AT06

SAW Bandpass Filter – Telecom - IF

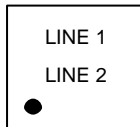
Preliminary Specification (Rev.1)- IF

February 17th, 2006

Maximum Ratings

Storage Temperature Range	°C	[-40°C ; +85°C]
Operable temperature Range	°C	[-40°C ; +85°C]

Marking



Line 1: "NNNN" is the reference to Temex Part number with only the last 4 digits

Line 2: RYWWZZ is the date code as:

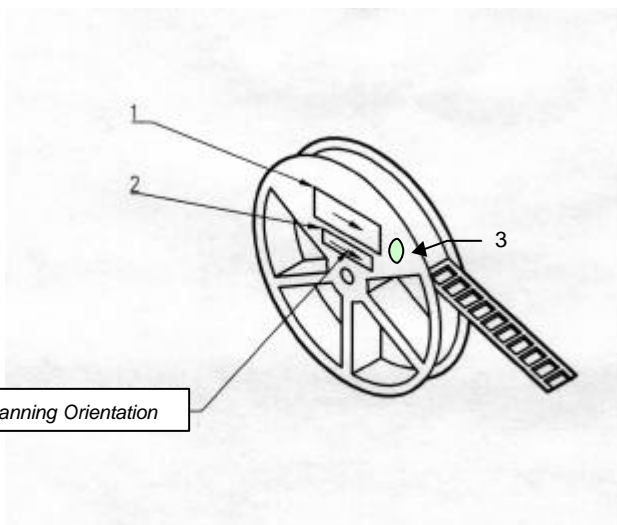
R: Partner identifier.

Y: last digit of the year.

WW: number of week in the year

ZZ: Lot number in the week (from AA to ZZ).

Packaging



- 1 – Temex Label
- 2 – ESD Prevention Label
- 3 – Pb Free Label