

PRELIMINARY SPEC

Part Number: WP7701C4SURC/G

Technical Data



Features:

- *HIGH LUMINANCE OUTPUT.
- *DESIGN FOR HIGH CURRENT OPERATION.
- *SOLDERLESS MOUNTING TECHNIQUE.
- *LOW POWER CONSUMPTION.
- *LOW THERMAL RESISTANCE.
- *LOW PROFILE.
- *PACKAGED IN TUBES FOR USE WITH AUTOMATIC INSERTION EQUIPMENT.
- *RoHS COMPLIANT.

Benefits:

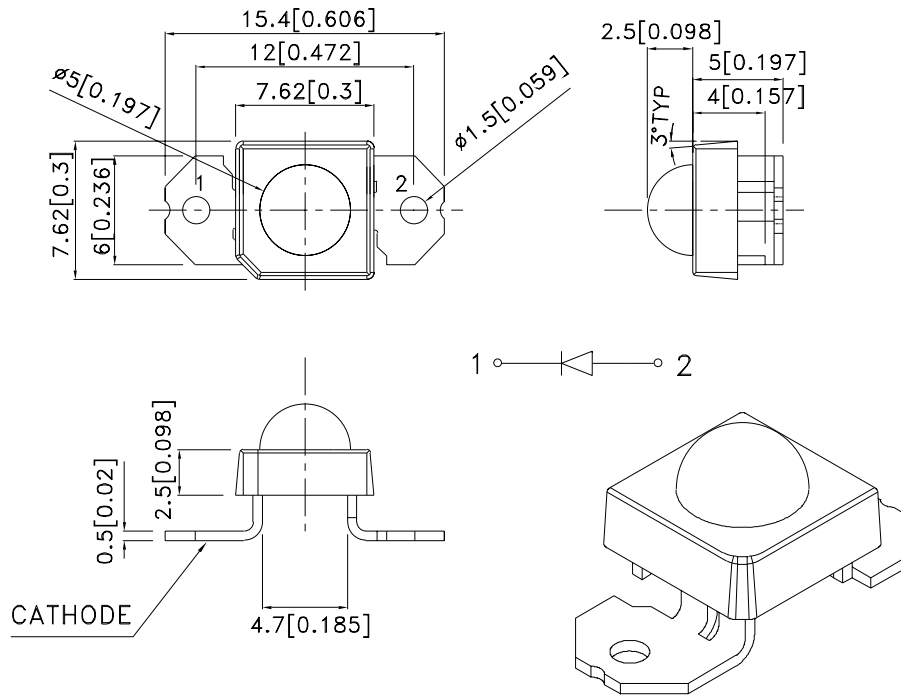
- *Rugged Lighting Products.
- *Electricity savings.
- *Maintenance savings.
- *Environmental Conformance.

Typical Applications:

- *Automotive Exterior Lighting.
- *Solid State Lighting and Signaling.

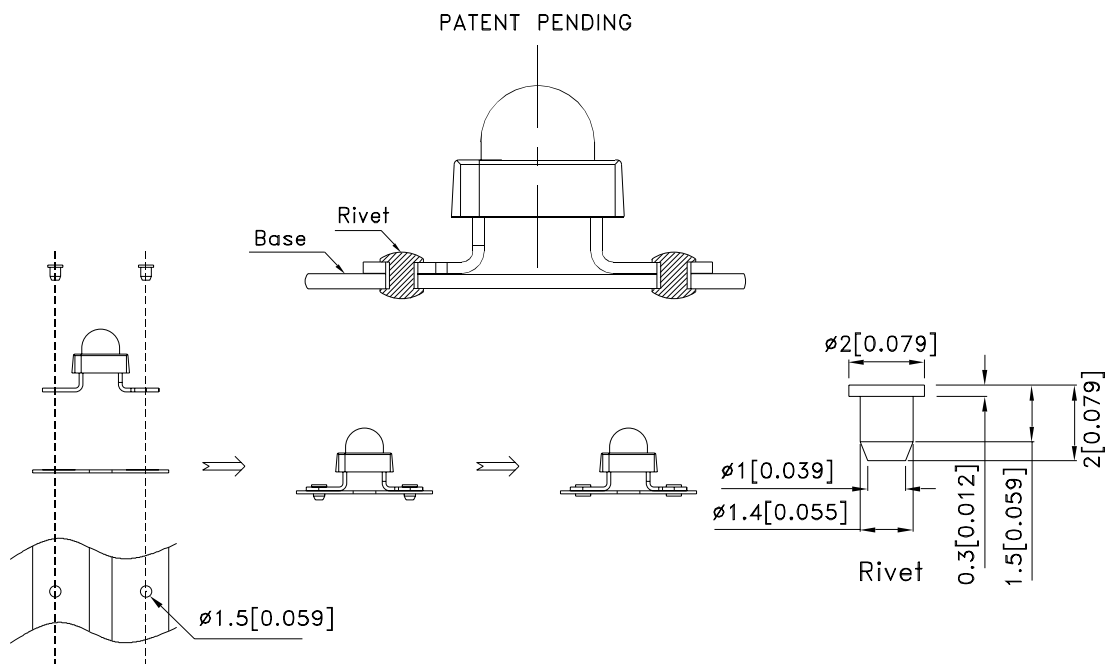


Outline Drawings



Notes:

1. All dimensions are in millimeters (inches).
2. Tolerance is $\pm 0.25(0.01)$ unless otherwise noted.
3. Lead spacing is measured where the leads emerge from the package.
4. Specifications are subject to change without notice.



Absolute Maximum Ratings at TA=25°C

PARAMETER	SUR/G	UNITS
DC Forward Current	70	mA
Power dissipation	182	mW
Reverse Voltage	5	V
Operating Temperature	-40 To +85	°C
Storage Temperature	-55 To +85	°C

Selection Guide

Part No.	LED COLOR	Iv(cd)[1] @70mA		Viewing Angle[2]
		Min.	Typ.	2θ1/2 Typ.
WP7701C4SURC/G	Hyper Red (InGaAlP)	2.8	4.1	50°

Notes:

- Luminous intensity is measured with an integrating sphere after the device has stabilized; Luminous Intensity / luminous flux: +/-15%.
- θ1/2 is the angle from optical centerline where the luminous intensity is 1/2 the optical centerline value.

Optical Characteristics at TA=25°C If=70mA Rθj-a=200°C/W

DEVICE TYPE	PEAK WAVELENGTH λPEAK (nm) TYP.	DOMINANT[1] WAVELENGTH λDOM (nm) TYP.	SPECTRAL LINE WAVELENGTH Δλ1/2(nm) TYP.
SUR/G	640	630	22

Note:

- The dominant wavelength is derived from the CIE Chromaticity Diagram and represents the perceived color of the device; Wavelength: +/-1nm.

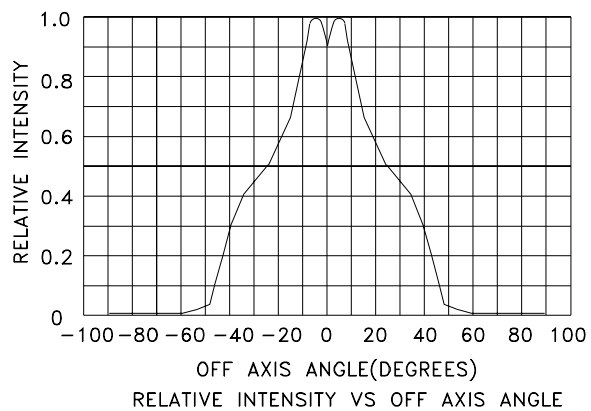
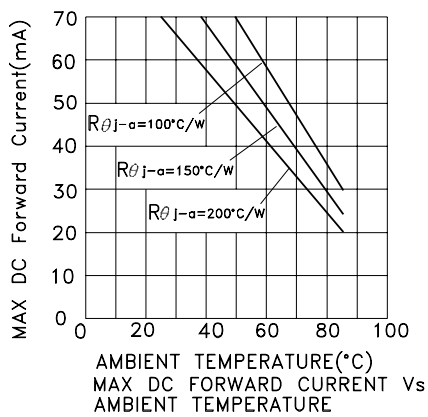
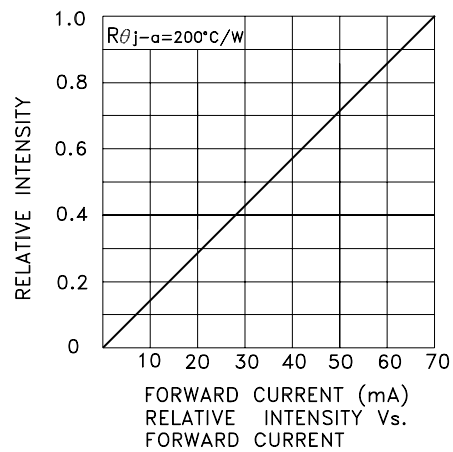
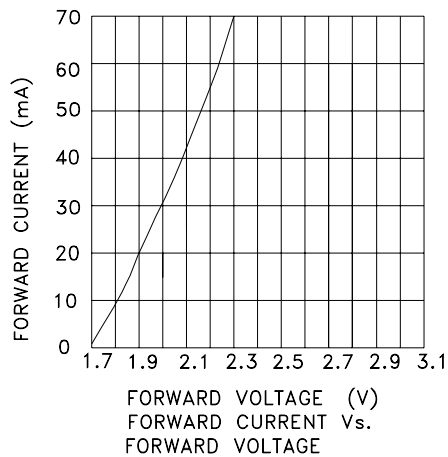
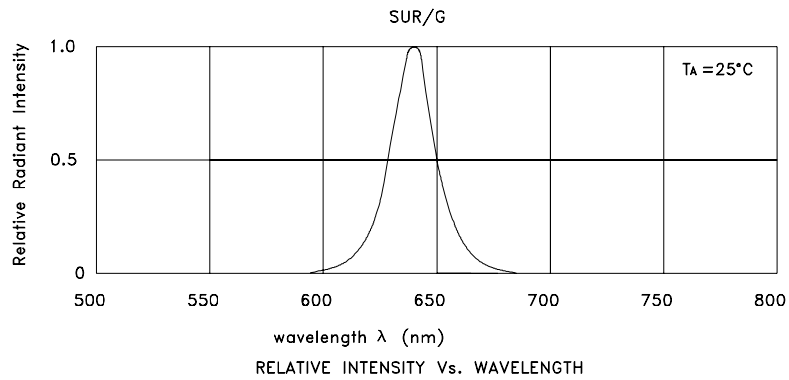
Electrical Characteristics at TA=25°C

DEVICE TYPE	FORWARD VOLTAGE [1] VF (VOLTS) @ If=70mA			REVERSE CURRENT IR (uA) @ VR=5V	CAPACITANCE C (pF) @ VF=0V F=1MHZ	THERMAL RESISTANCE Rθj -pin °C/W
	MIN.	TYP.	MAX.	MAX.	TYP.	TYP.
SUR/G	2.1	2.3	2.6	10	45	125

Note:

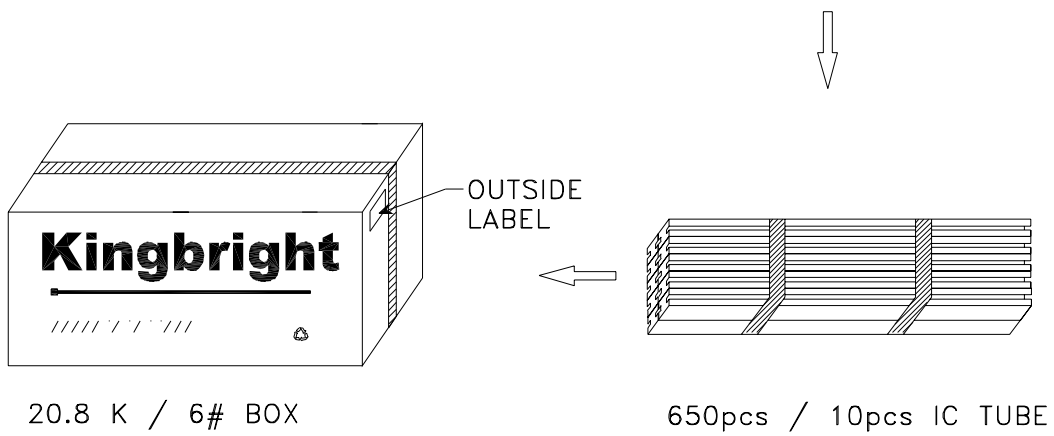
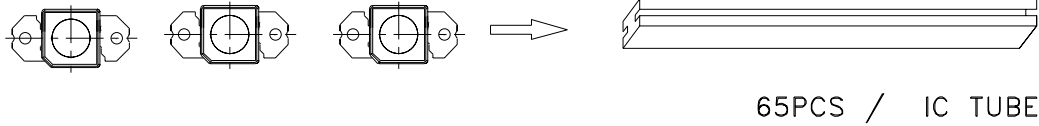
- Forward Voltage: +/-0.1V.

Figures



PACKING & LABEL SPECIFICATIONS

WP7701C4SURC/G



<h1>Kingbright</h1>				
Q.C.	<table border="1"> <tr> <td style="text-align: center;">QC</td> </tr> <tr> <td style="text-align: center;">xxx xx. xxxx</td> </tr> <tr> <td style="text-align: center;">PASSED</td> </tr> </table>	QC	xxx xx. xxxx	PASSED
QC				
xxx xx. xxxx				
PASSED				
TYPE NO : WP7701C4XXX				
QUANTITY : 650 pcs				
S/N : xxx	CODE: xxxx			
LOT NO:  <small>xx-xxxxxx</small>				
MADE IN CHINA	RoHS Compliant			