

# TC9250F, TC9250P

## 16 BITS RESISTER STRINGS DA CONVERTER

TC9250F, TC9250P is 16 bits resister strings DA converter for digital audio. Data input accepts 1fs~8fs. It is possible to construct the DA converter unit at a low price.

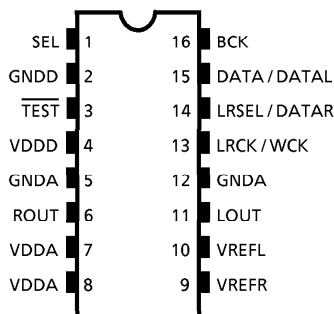
### FEATURES

- Data input accepts 1fs~8fs.
- Built-in twin DA converter.
- Simultaneous outputs to L-ch and R-ch.
- Built-in output buffer.
- DA converter characteristics is as follows.

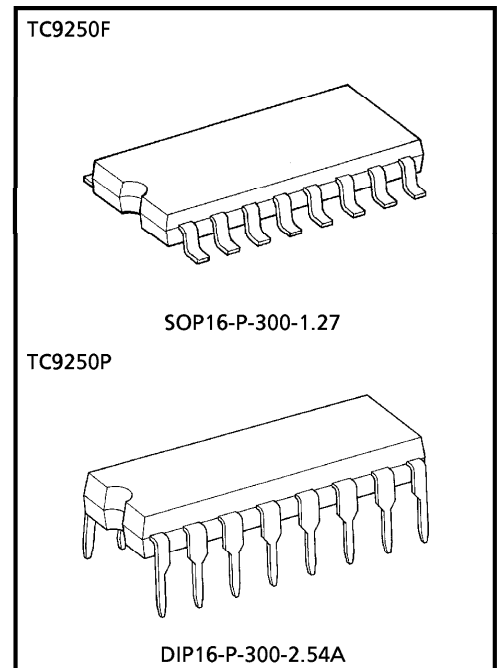
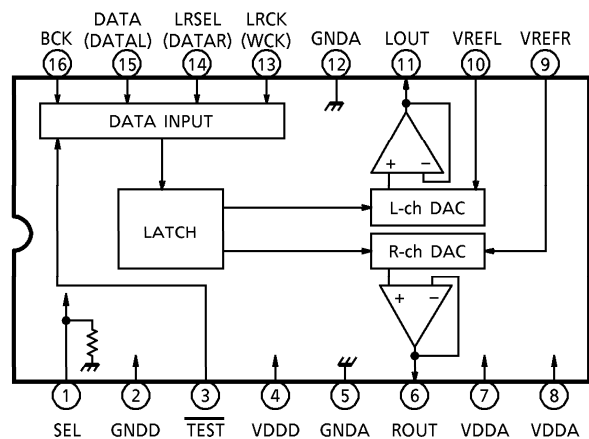
THD + N	S / N	D-RANGE
-65dB (Typ.)	100dB (Typ.)	93dB (Typ.)

- 2 kinds of package, 16 pin flat package and 16 pin DIP.

### PIN CONNECTION



### BLOCK DIAGRAM

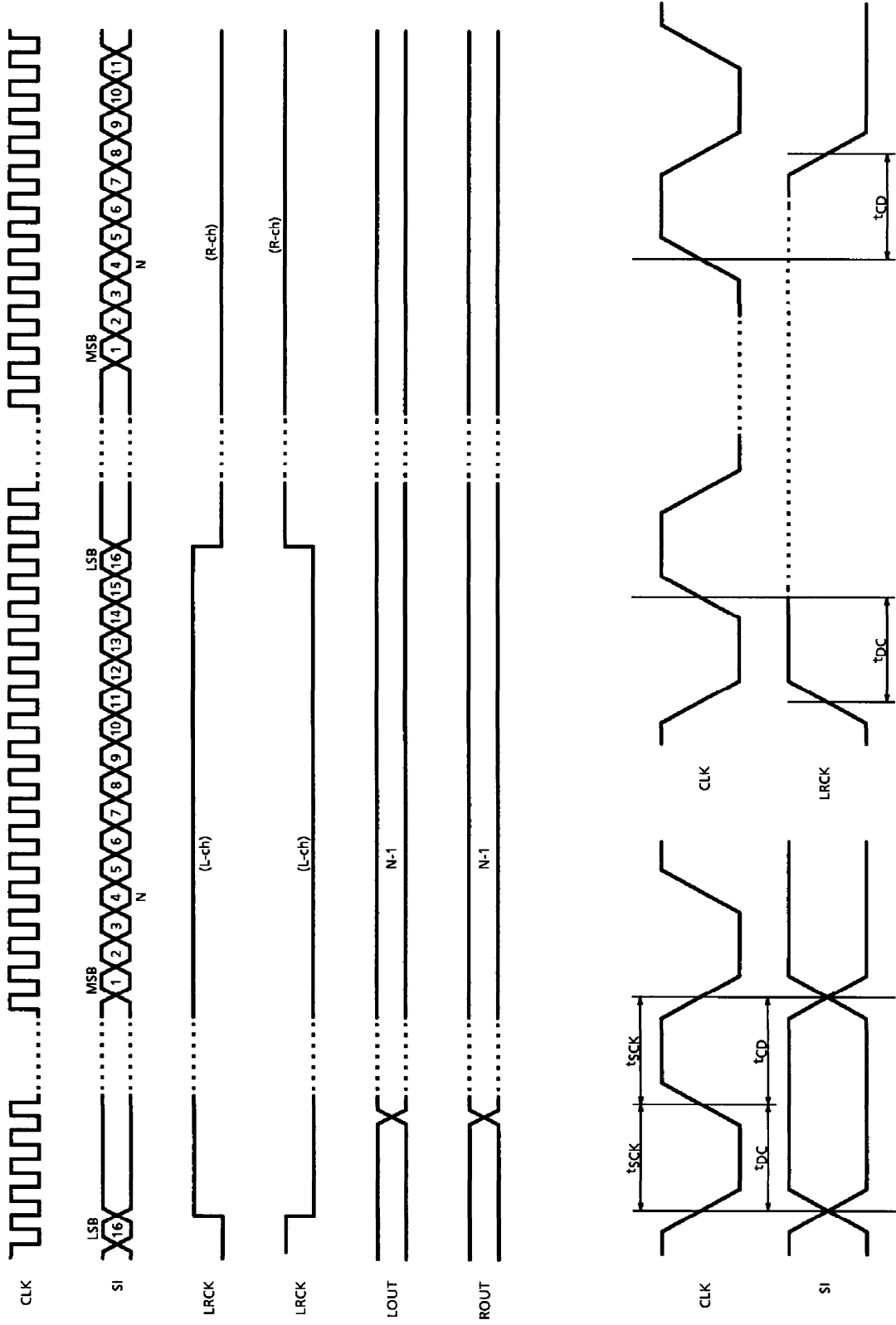


Weight  
 SOP16-P-300-1.27 : 0.16g (Typ.)  
 DIP16-P-300-2.54A : 1.00g (Typ.)

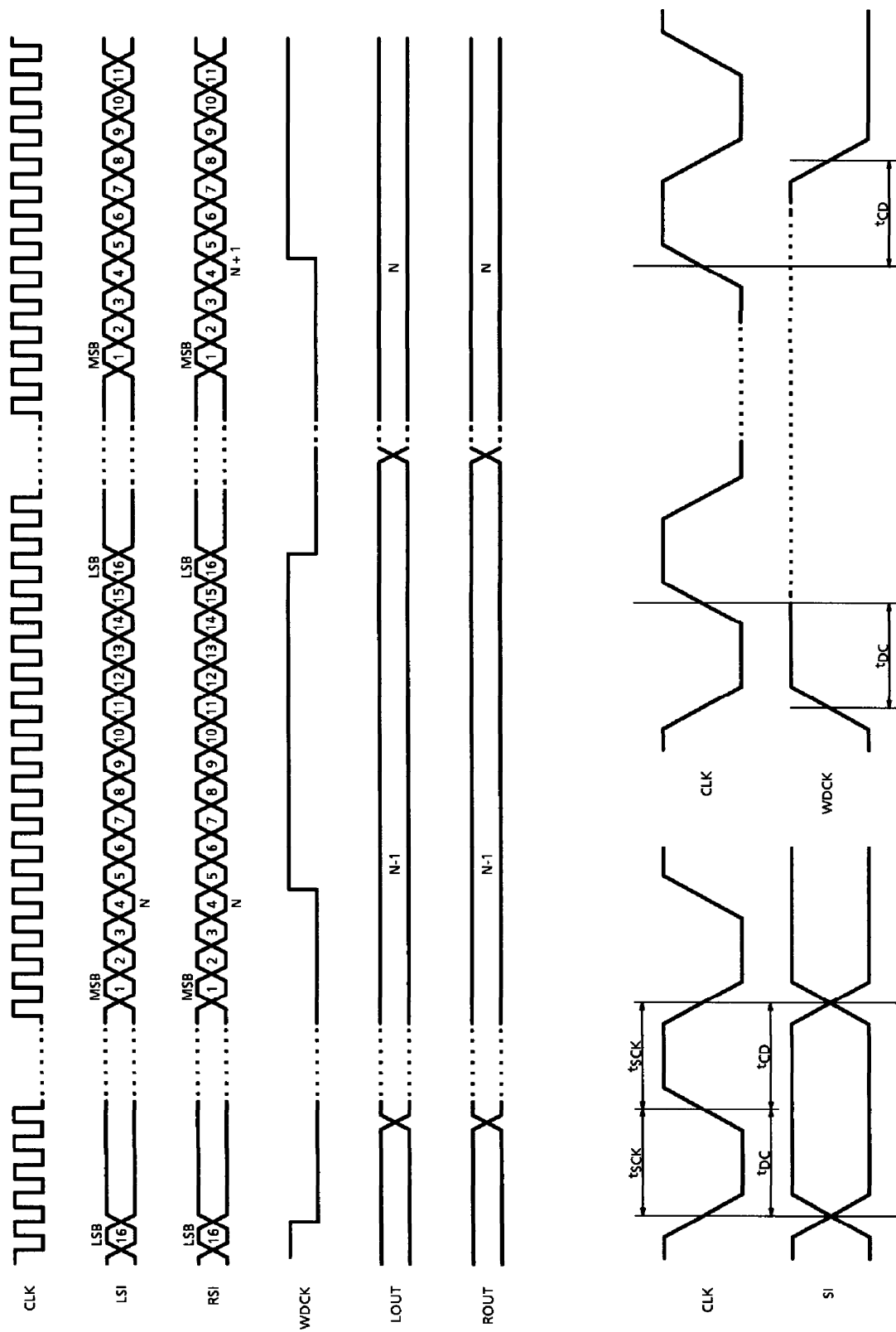
**PIN FUNCTION**

PIN No.	SYMBOL	I/O	FUNCTION/OPERATION	REMARKS											
1	SEL	I	Input data selection terminal. At "L" or open, L-ch and R-ch serial data input pin15. At "H", L-ch data input pin15 and R-ch data input pin14.	Pull-down Resistance											
2	GNDD	—	Logic grand terminal.												
3	TEST	I	Test terminal. Normally, use at "L".												
4	VDDD	—	Logic power supply terminal.												
5	GNDA	—	Analog grand terminal.												
6	ROUT	O	R-ch analog output terminal.												
7	VDDA	—	Analog power supply terminal.												
8	VDDA														
9	VREFR	—	R-ch reference voltage terminal.												
10	VREFL	—	L-ch reference voltage terminal.												
11	LOUT	O	L-ch analog output terminal.												
12	GNDA	—	Analog grand terminal.												
13	LRCK/WCK	I	At pin1 "H" or "OPEN", LR clock input terminal. At pin1 "L", word clock input terminal.												
14	LRSEL/DATAR	I	At pin1 "L", LR channel data selection terminal. <table border="1" style="margin: 10px auto;"> <thead> <tr> <th rowspan="2">LRSEL INPUT</th> <th colspan="2">LRCK</th> </tr> <tr> <th>"L"</th> <th>"H"</th> </tr> </thead> <tbody> <tr> <td>"L"</td> <td>R-ch data input</td> <td>L-ch data input</td> </tr> <tr> <td>"H"</td> <td>L-ch data input</td> <td>R-ch data input</td> </tr> </tbody> </table> At pin1 "H", R-ch data input terminal.	LRSEL INPUT	LRCK		"L"	"H"	"L"	R-ch data input	L-ch data input	"H"	L-ch data input	R-ch data input	
LRSEL INPUT	LRCK														
	"L"	"H"													
"L"	R-ch data input	L-ch data input													
"H"	L-ch data input	R-ch data input													
15	DATA/DATAL	I	At pin1 "L", L-ch and R-ch data input terminal. At pin1 "H", L-ch data input terminal.												
16	BCK	I	Bit clock input terminal.												

1-1 DATA INPUT TIMING (SEL = "L")



1-2 DATA INPUT TIMING (SEL = "H")



## MAXIMUM RATINGS (Ta = 25°C)

CHARACTERISTIC	SYMBOL	RATING	UNIT
Supply Voltage	V <sub>DD</sub>	-0.3~6.0	V
Input Voltage	V <sub>IN</sub>	-0.3~V <sub>DD</sub> + 0.3	V
Power Dissipation	TC9250F	P <sub>D</sub>	mW
	TC9250P		
Operating Temperature	T <sub>opr</sub>	-20~85	°C
Storage Temperature	T <sub>stg</sub>	-40~125	°C

ELECTRICAL CHARACTERISTICS (Unless otherwise specified, Ta = 25°C, V<sub>DD</sub> = 5V)

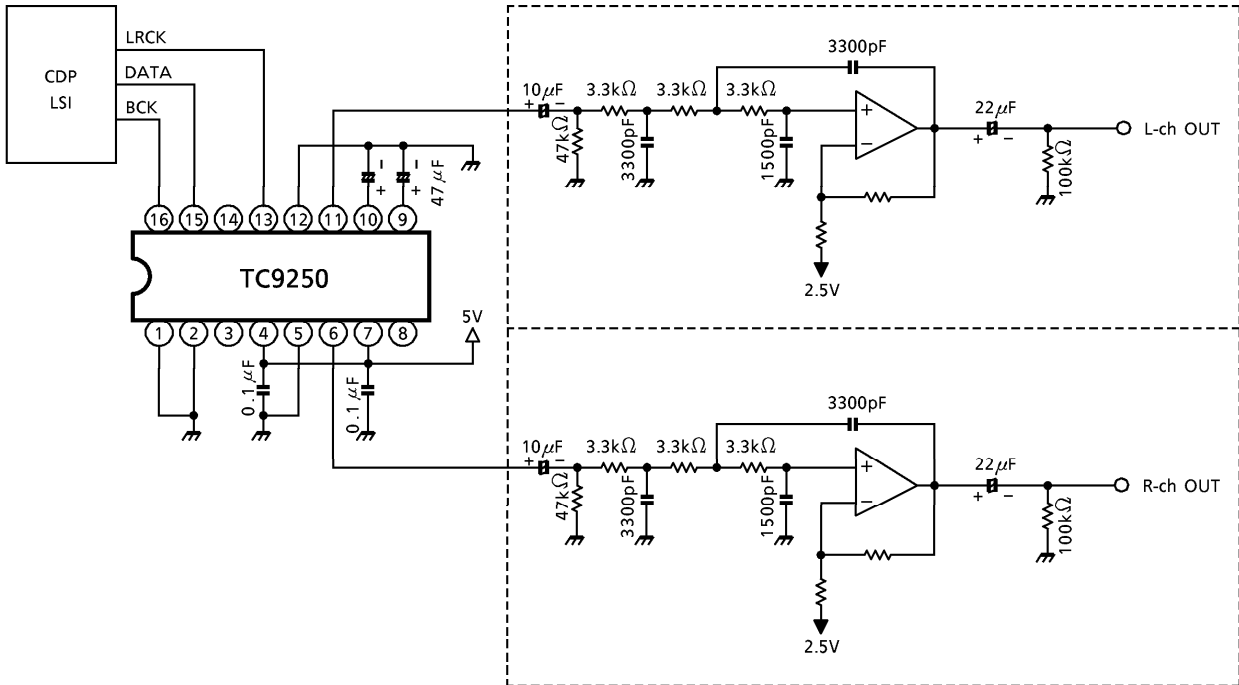
## DC characteristic

CHARACTERISTIC	SYMBOL	TEST CIR-CUIT	TEST CONDITION	MIN.	TYP.	MAX.	UNIT
Operating Voltage	V <sub>DD</sub>	1	Ta = -35~85°C	4.5	5.0	5.5	V
Power Dissipation	I <sub>DD</sub>	1	f <sub>s</sub> = 44.1kHz, 8 times data input	—	2.0	6.0	mA
Input Voltage	V <sub>IH</sub>	1		V <sub>DD</sub> × 0.7	—	V <sub>DD</sub>	V
	V <sub>IL</sub>			0	—	V <sub>DD</sub> × 0.3	
Output Resister	R <sub>L</sub>	—	ROUT, LOU <sub>T</sub> terminal	5	—	—	kΩ
Convert Frequency	f <sub>s</sub>	1		—	—	400	kHz
Clock Frequency	f <sub>CLK</sub>	1		—	—	10	MHz
Clock Pulse Width	f <sub>SCK</sub>	1		40	—	—	ns
SI, LRCK Setuptime	t <sub>DC</sub>	1		12	—	—	ns
SI, LRCK Holdtime	t <sub>CD</sub>	1		12	—	—	ns

## AC characteristic

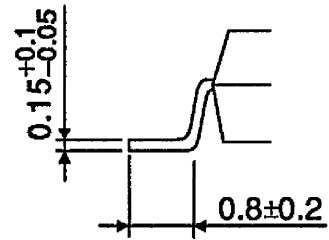
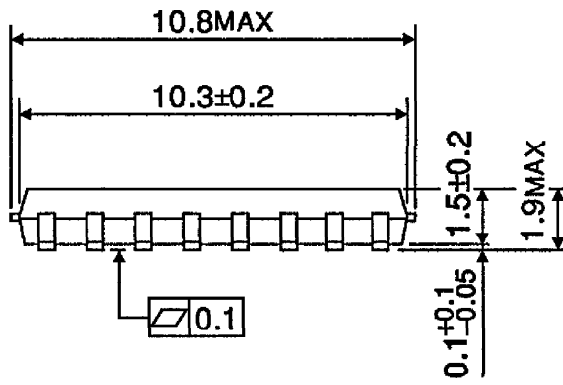
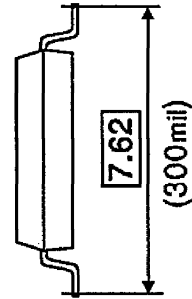
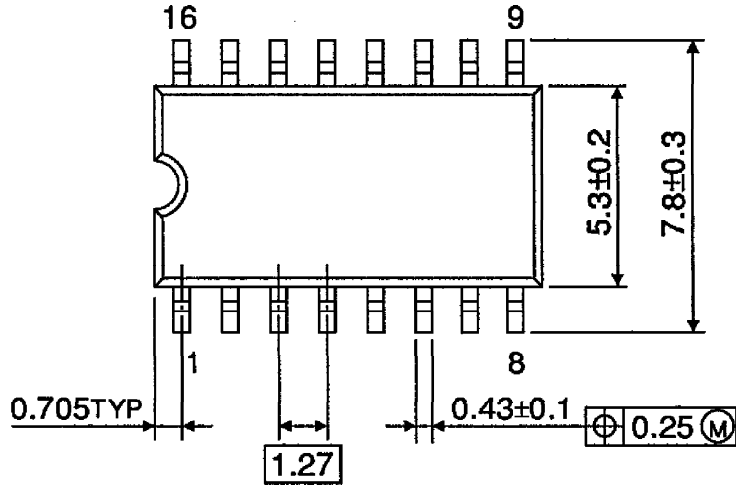
CHARACTERISTIC	SYMBOL	TEST CIR-CUIT	TEST CONDITION	MIN.	TYP.	MAX.	UNIT
Resolution	RES	—		—	16	—	bit
Noise Distortion	THD + N	1	f <sub>IN</sub> = 1kHz, 0dB 20kHz LPF ON	—	-65	-60	dB
S / N	S / N	—	JIS-A	96	100	—	dB
Dynamic Range	DR	—	f <sub>IN</sub> = 1kHz, -60dB, JIS-A ON	90	93	—	dB
Cross-Talk	CT	—	One channel 1kHz 0dB input	85	95	—	dB
Full Scale Output Voltage	V <sub>FS</sub>	—	1kHz 0dB output	—	2.0	2.3	V <sub>p-p</sub>

APPLICATION CIRCUIT (Test circuit 1)



**PACKAGE DIMENSIONS**  
SOP16-P-300-1.27

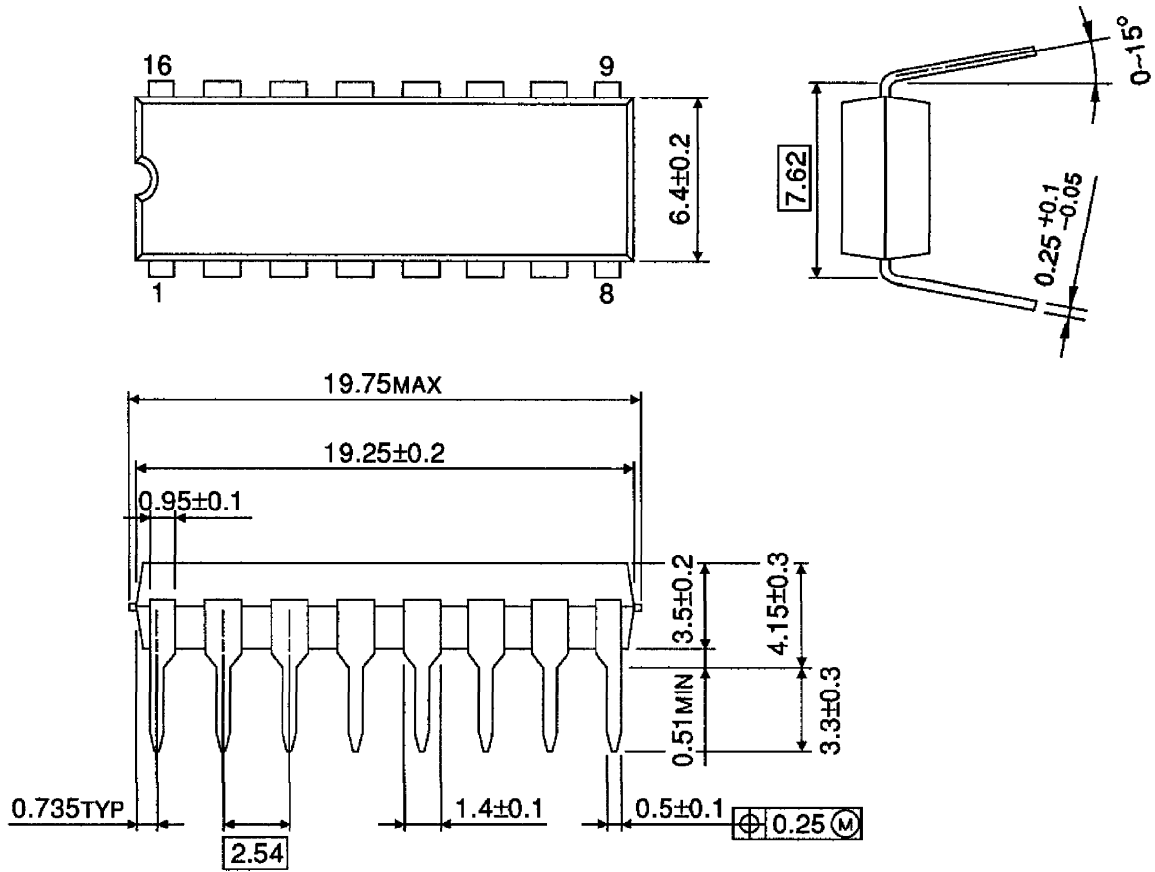
Unit : mm



Weight : 0.16g (Typ.)

**PACKAGE DIMENSIONS**  
DIP16-P-300-2.54A

Unit : mm



Weight : 1.00g (Typ.)



**RESTRICTIONS ON PRODUCT USE**

000707EBA

- TOSHIBA is continually working to improve the quality and reliability of its products. Nevertheless, semiconductor devices in general can malfunction or fail due to their inherent electrical sensitivity and vulnerability to physical stress. It is the responsibility of the buyer, when utilizing TOSHIBA products, to comply with the standards of safety in making a safe design for the entire system, and to avoid situations in which a malfunction or failure of such TOSHIBA products could cause loss of human life, bodily injury or damage to property. In developing your designs, please ensure that TOSHIBA products are used within specified operating ranges as set forth in the most recent TOSHIBA products specifications. Also, please keep in mind the precautions and conditions set forth in the "Handling Guide for Semiconductor Devices," or "TOSHIBA Semiconductor Reliability Handbook" etc..
- The TOSHIBA products listed in this document are intended for usage in general electronics applications (computer, personal equipment, office equipment, measuring equipment, industrial robotics, domestic appliances, etc.). These TOSHIBA products are neither intended nor warranted for usage in equipment that requires extraordinarily high quality and/or reliability or a malfunction or failure of which may cause loss of human life or bodily injury ("Unintended Usage"). Unintended Usage include atomic energy control instruments, airplane or spaceship instruments, transportation instruments, traffic signal instruments, combustion control instruments, medical instruments, all types of safety devices, etc.. Unintended Usage of TOSHIBA products listed in this document shall be made at the customer's own risk.
- The products described in this document are subject to the foreign exchange and foreign trade laws.
- The information contained herein is presented only as a guide for the applications of our products. No responsibility is assumed by TOSHIBA CORPORATION for any infringements of intellectual property or other rights of the third parties which may result from its use. No license is granted by implication or otherwise under any intellectual property or other rights of TOSHIBA CORPORATION or others.
- The information contained herein is subject to change without notice.