

---

## 11. Schematic Diagrams

---

	Page
◆ Block Identification of Main PCB .....	11-2
11-1 S.M.P.S/Power .....	11-3
11-2 System Control/Servo .....	11-4
11-3 Audio/Video .....	11-5
11-4 Hi-Fi Audio .....	11-6
11-5 IF .....	11-7
11-6 I/O .....	11-8
11-7 Sub .....	11-9
11-8 Function-Timer (SV-A130B) .....	11-10
11-9 Function-Timer (SV-A140B) .....	11-11
11-10 Remote-Control (SV-A130B) .....	11-12
11-11 Remote-Control (SV-A140B) .....	11-12

**Note**

For schematic Diagram  
 - Resistors are in ohms, 1/8W unless otherwise noted.  
 - Circled numbers refer to waveforms.


**Special note :**

Most semiconductor devices are electrostatically sensitive and therefore require the special handling techniques described under the "electrostatically sensitive (ES) devices" section of this service manual.

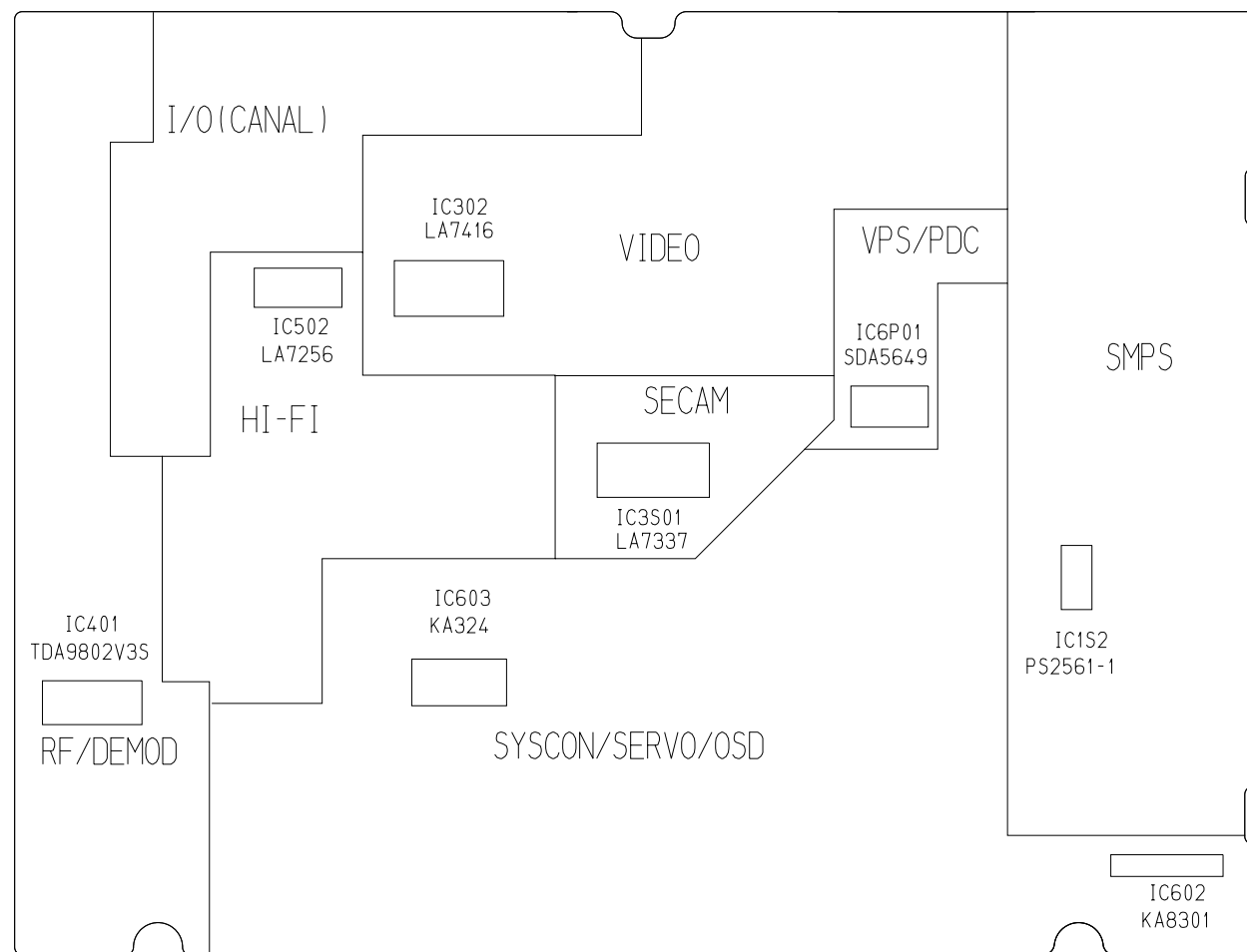
**Note :**

Do not use the part number shown on this drawing for ordering. The correct part number is shown in the parts list (may be slightly different or amended since this drawing was prepared).

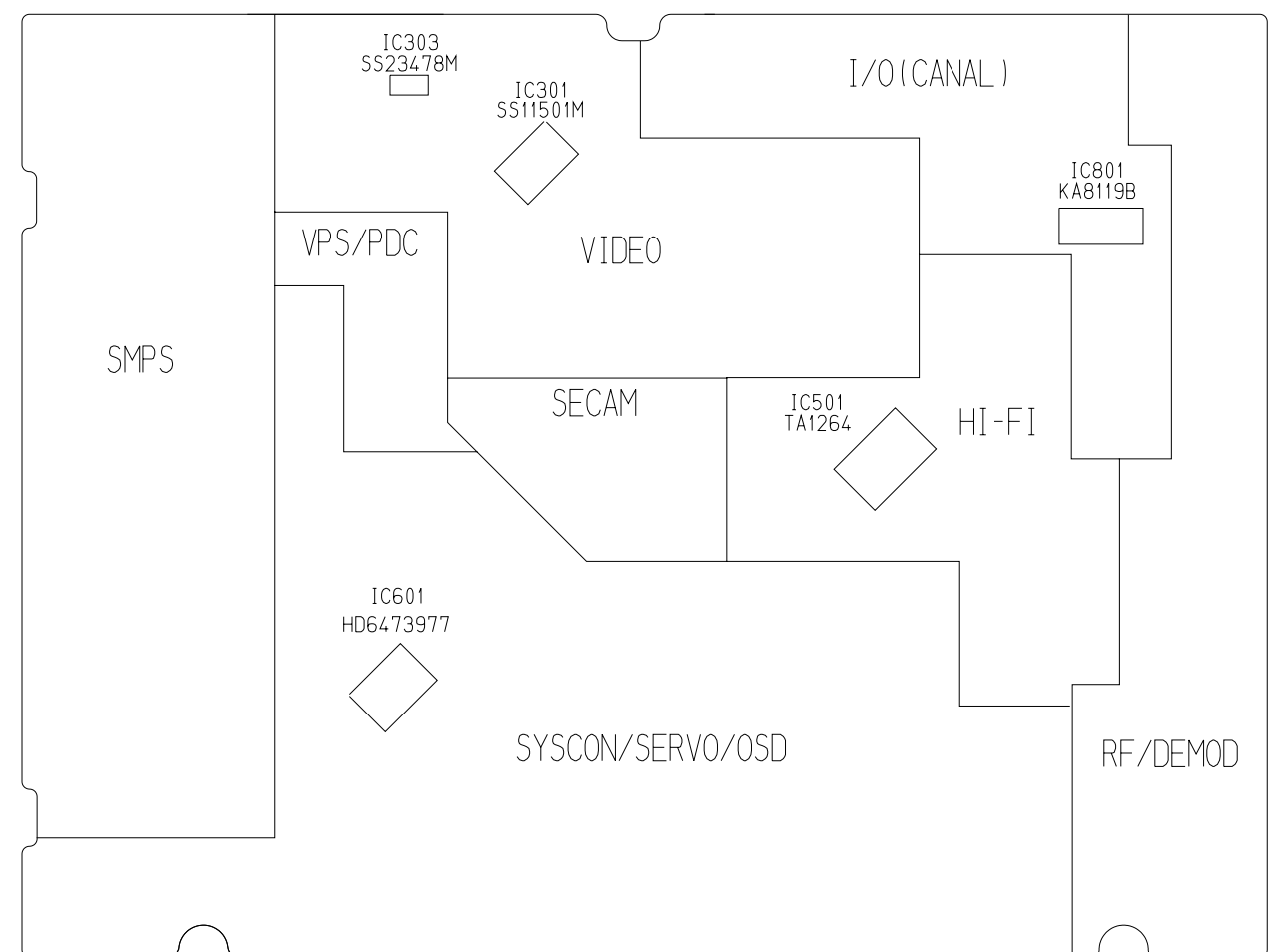
**Important safety notices :**

Components identified with the mark  have the special characteristics for safety. When replacing any of these components. Use only the same type.

◆ **Block Identification of Main PCB**

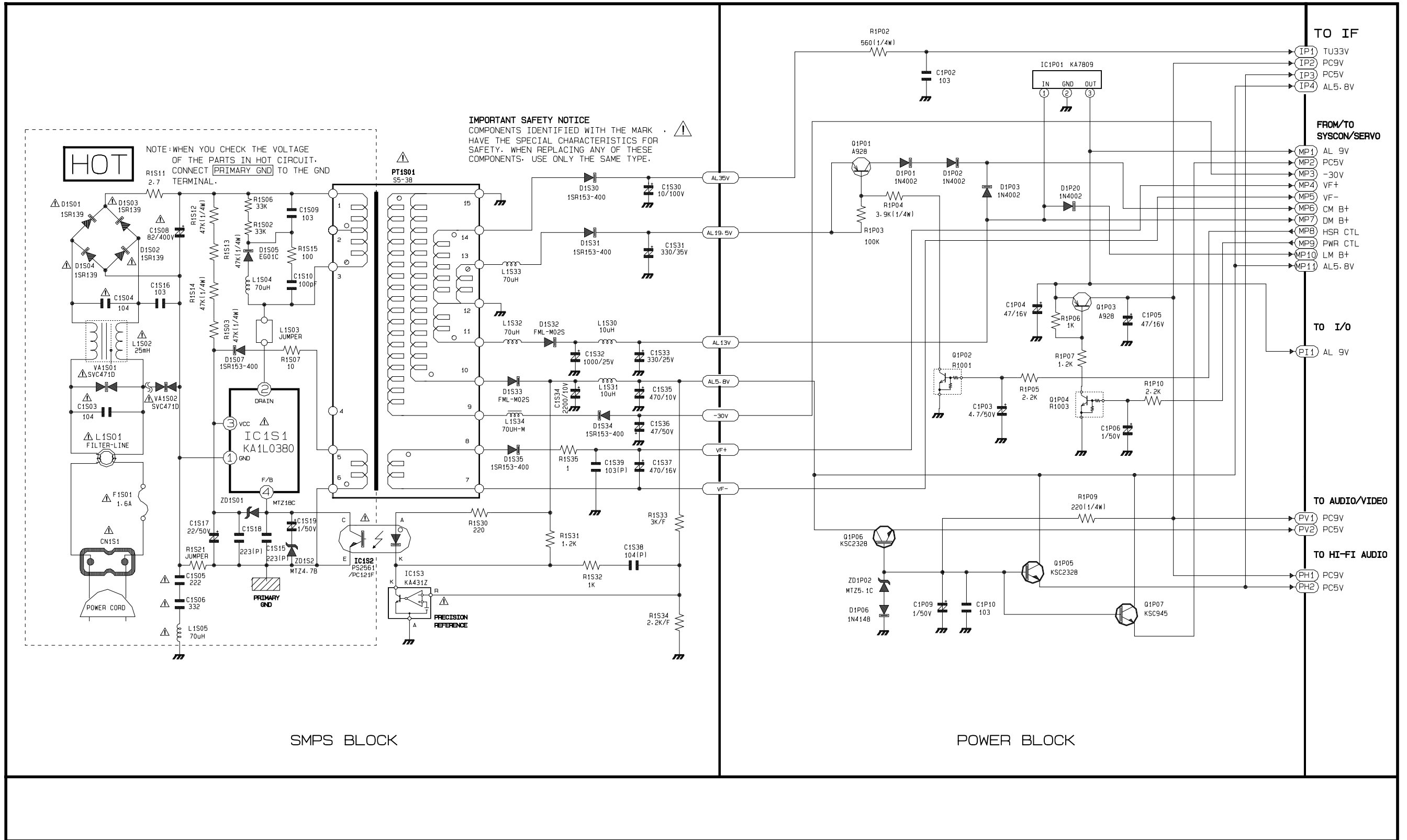


(Component Side)



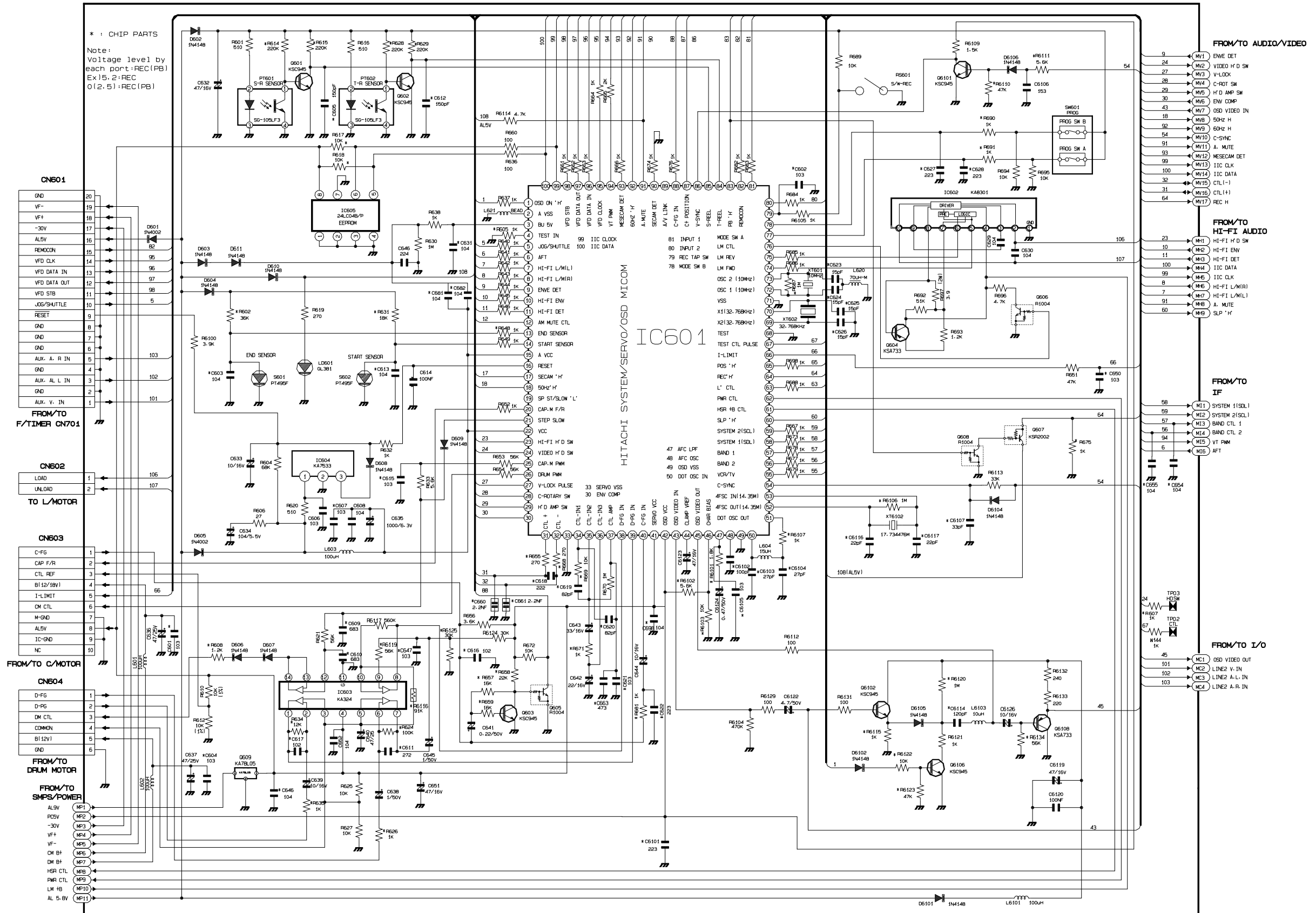
(Conductor Side)

# 11-1 S.M.P.S./POWER

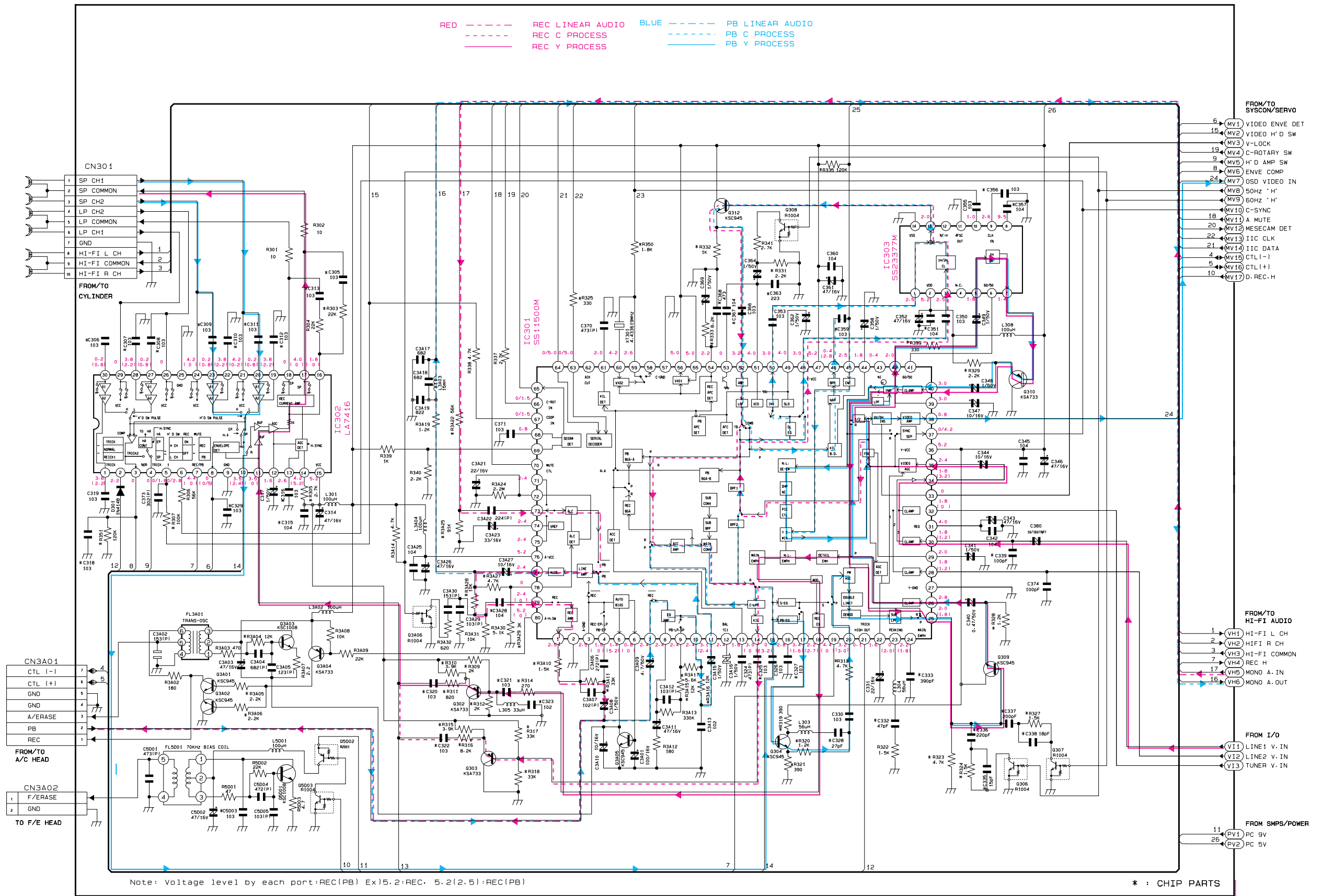


# 11-2 System Control/Servo

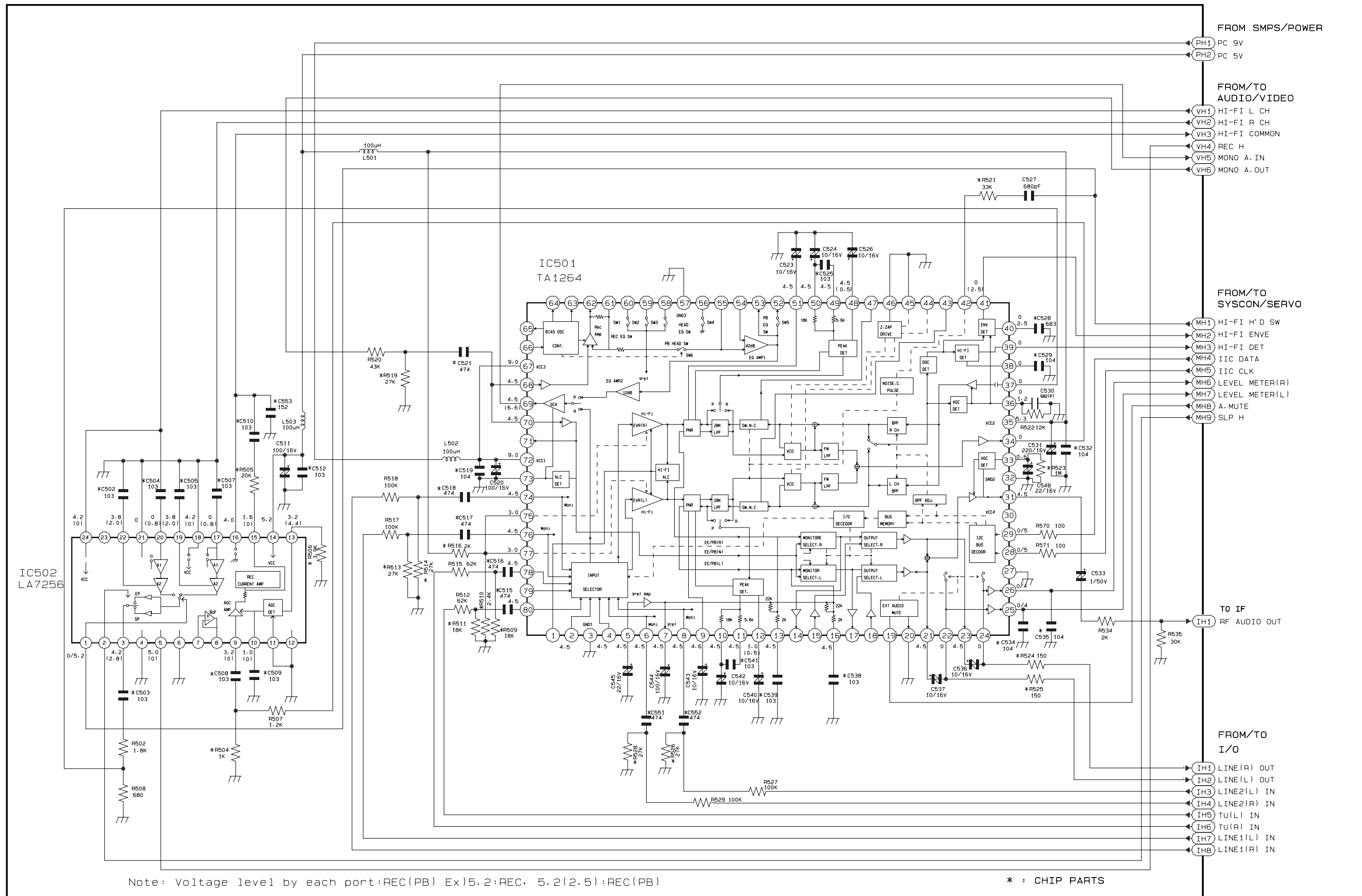
SV-A140B SYSCON 97.06.24



11-3 Audio/Video

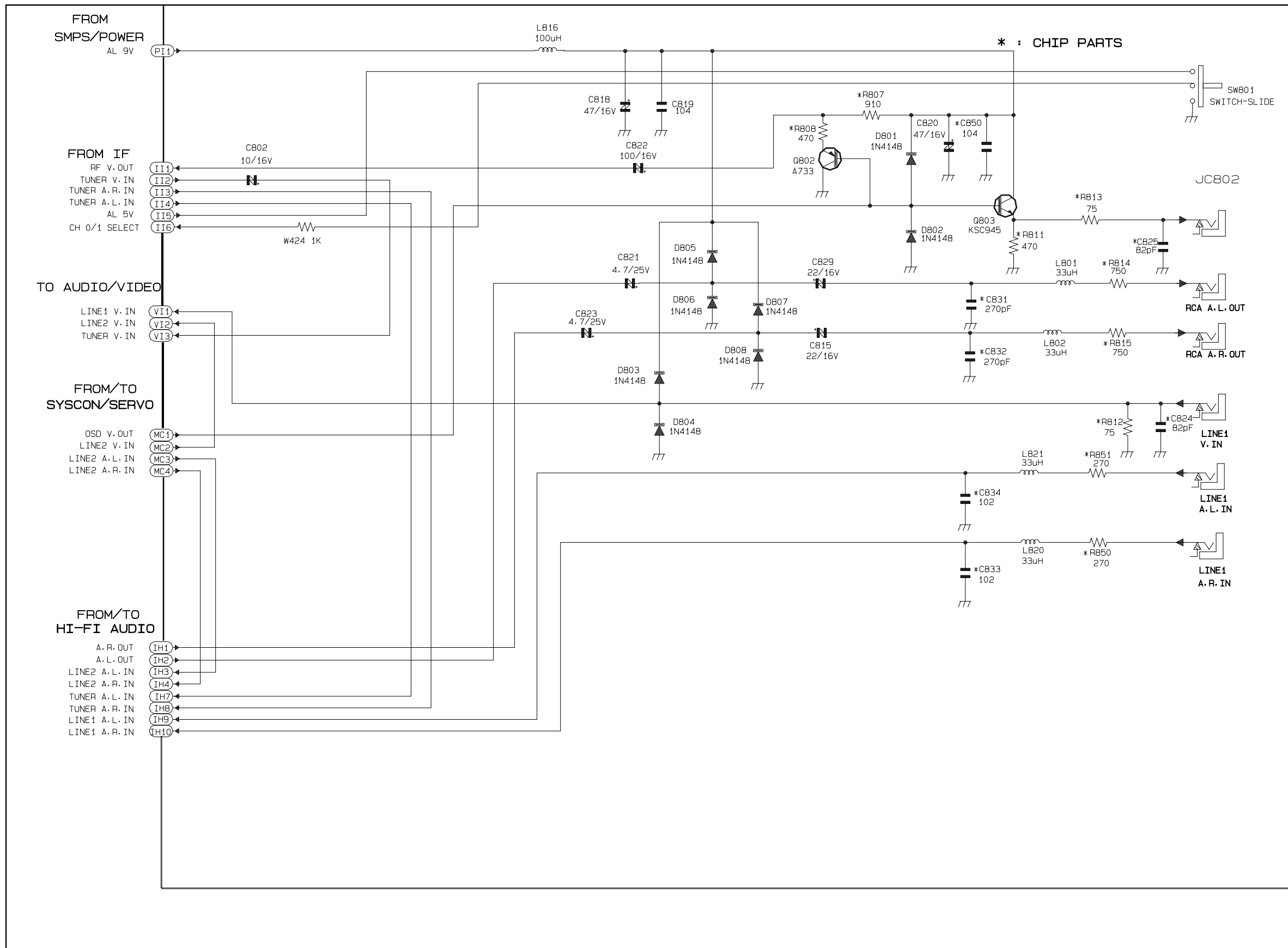


### 11-4 Hi-Fi Audio



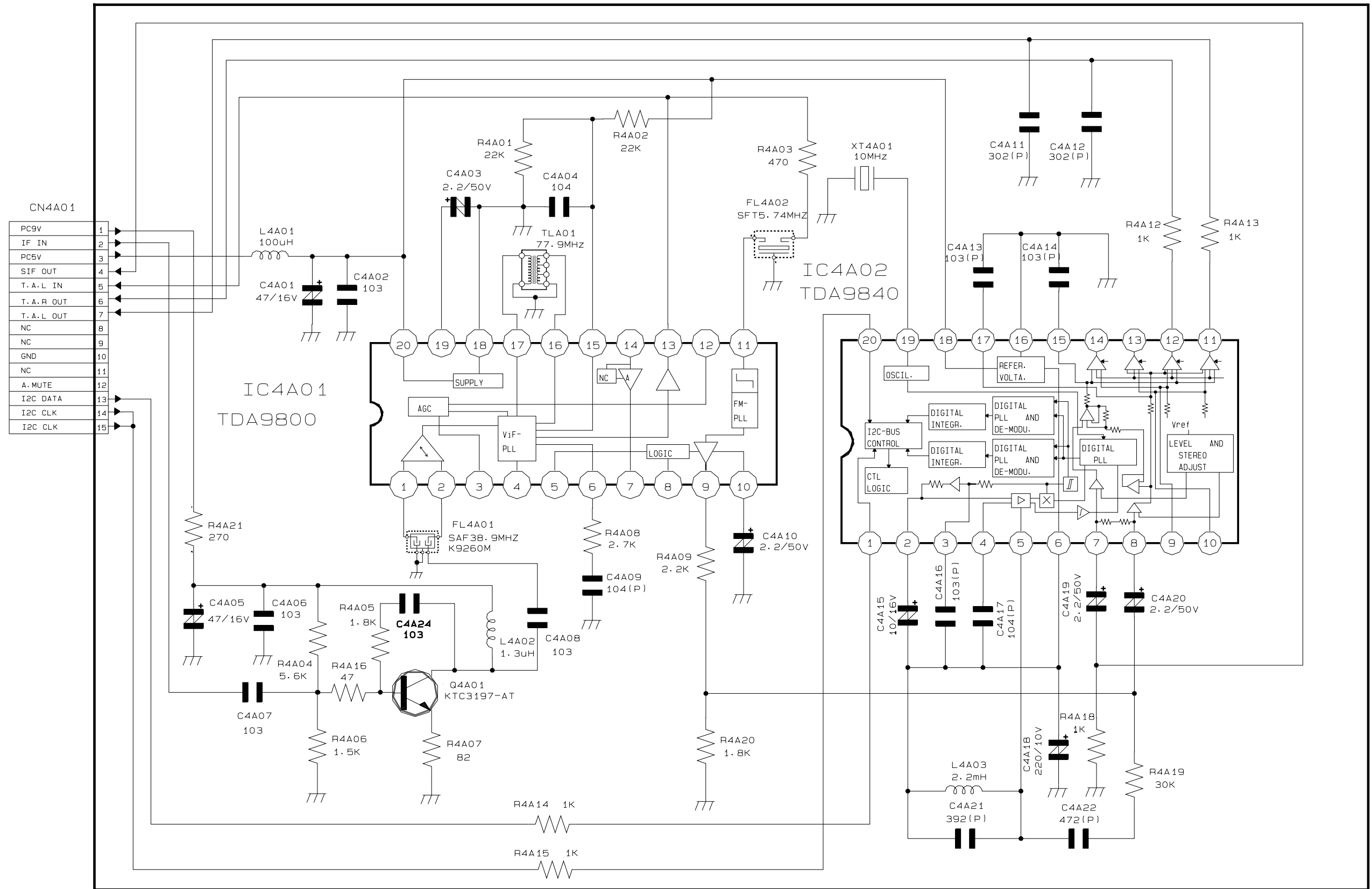


11-6 I/O

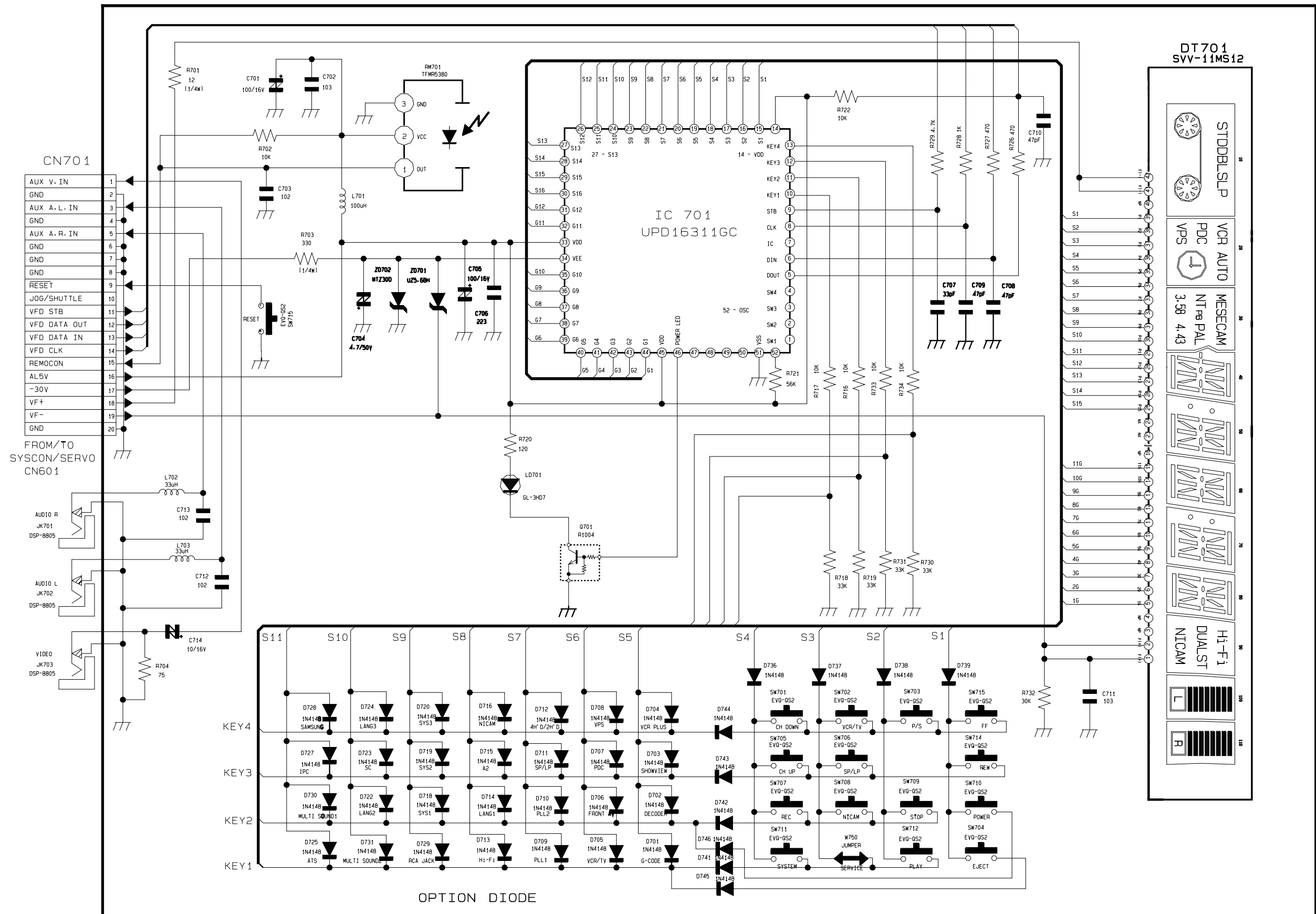




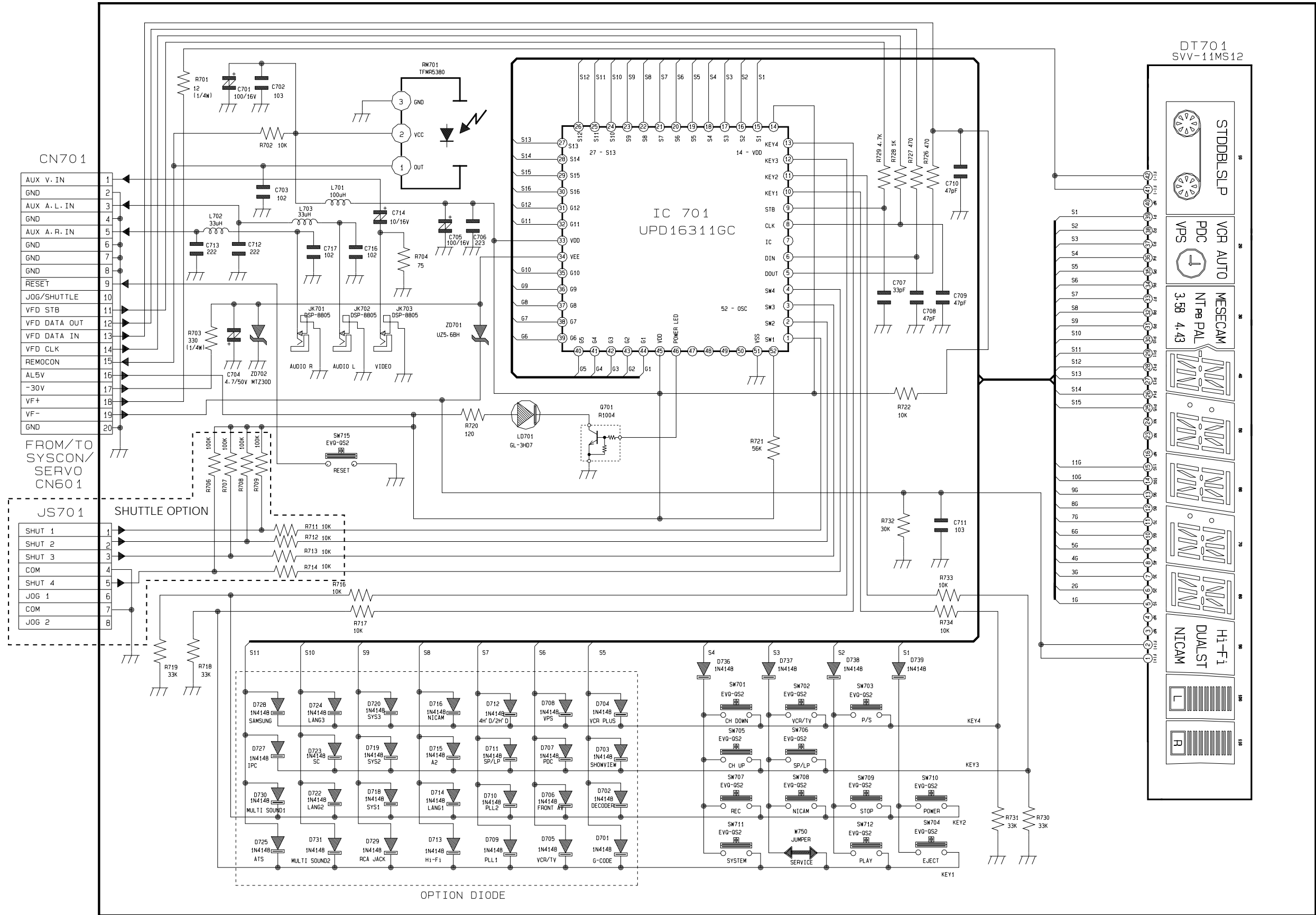
11-7 Sub



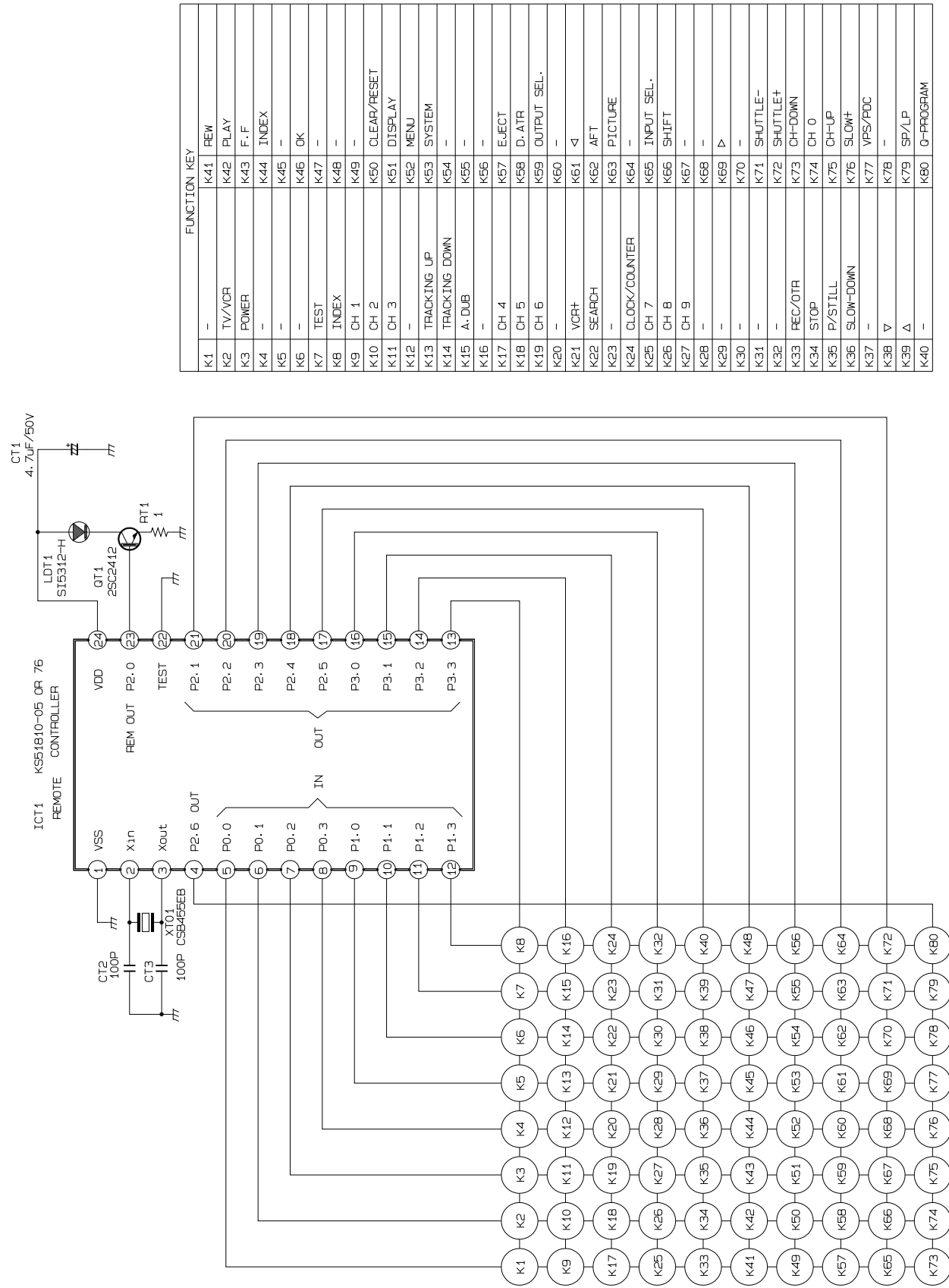
### 11-8 Function-Timer(SV-130B)



11-9 Function-Timer(SV-140B)



### 11-10 Remote-Control (SV-A130B)



FUNCTION KEY	
K41	REW
K42	PLAY
K43	F.F
K44	INDEX
K45	-
K46	OK
K47	-
K48	-
K49	-
K50	CLEAR/RESET
K51	DISPLAY
K52	MENU
K53	SYSTEM
K54	-
K55	-
K56	-
K57	EJECT
K58	D.ATR
K59	OUTPUT SEL.
K60	-
K61	◀
K62	AFT
K63	PICTURE
K64	-
K65	INPUT SEL.
K66	SHIFT
K67	-
K68	-
K69	▶
K70	-
K71	SHUTTLE-
K72	SHUTTLE+
K73	CH-DOWN
K74	CH 0
K75	CH-UP
K76	SLOW+
K77	VPS/PDC
K78	-
K79	SP/LP
K80	0-PROGRAM

### 11-11 Remote-Control (SV-A140B)

