

Coaxial

Adapter, SMA-F to SMA-F

NEW!
SF-SF50

50Ω DC to 18 GHz



CASE STYLE: DJ952

Features

- flat response
- excellent VSWR, 1.10: typ. up to 12.4 GHz and 1.15:1 typ. up to 18 GHz
- low cost adapters, available from stock
- rugged stainless steel body, gold plated

Applications

- interconnection of RF cables and equipment

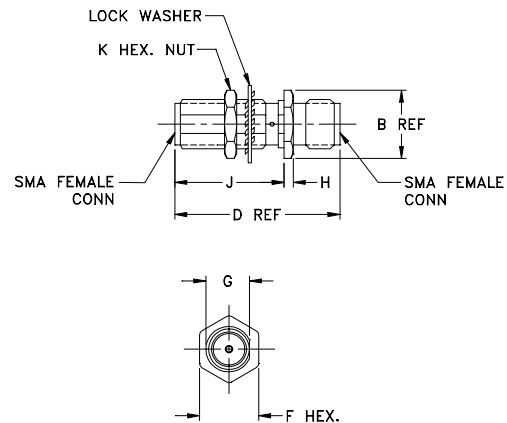
Electrical Specifications $T_{AMB}=25^{\circ}C$

MODEL NO.	CONNECTOR TYPE		FREQUENCY (GHz) f_L - f_U	VSWR (:1) Max.			PRICE \$ Qty. (1-49)
	CONN 1	CONN 2		DC-8 GHz	DC-12.4 GHz	DC-18 GHz	
SF-SF50	SMA-FEMALE	SMA-FEMALE	DC-18	1.15	1.25	1.40	4.95

Maximum Ratings

Operating Temperature	-55°C to 100°C
Storage Temperature	-55°C to 100°C

Outline Drawing



Outline Dimensions (inch/mm)

B	D	F	G	H	J	K	wt.
.36	.87	.312	.230	.050	.575	.312	grams
9.14	22.10	7.92	5.84	1.27	14.61	7.92	3.6



Distribution Centers NORTH AMERICA 800-654-7949 • 417-335-5935 • Fax 417-335-5945 • EUROPE 44-1252-832600 • Fax 44-1252-837010

INTERNET <http://www.minicircuits.com>

P.O. Box 350166, Brooklyn, New York 11235-0003 (718) 934-4500 Fax (718) 332-4661

ISO 9001 CERTIFIED

REV. A
M90500
SF-SF50
ED-10311
YB/CP
040109