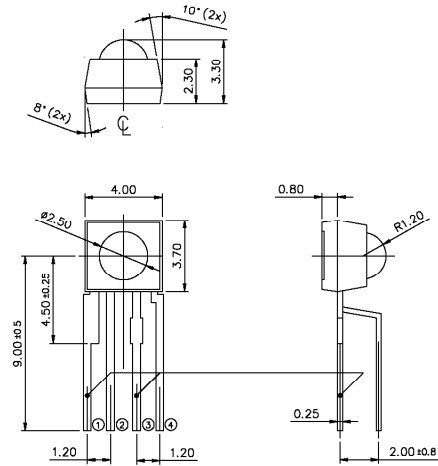


Applications:

- 1. Mouse
- 2. Knob

Outside Dimension : Unit (mm)



Notes
 1) All dimensions are in millimeters.
 2) Tolerance is ±0.25mm unless otherwise note.
 3) Protuded resin under flange 0.5 mm Max.
 Lead spacing measured where the leads emerge from the package.

Pin 1: NC
 Pin 2: Cathode
 Pin 3: NC
 Pin 4: Anode

Electro-optical Characteristics

(Ta=25°C, unless otherwise specified)

Parameter	Symbol	Condition	Min.	Typ.	Max.	Unit
Forward voltage	V_f	I_f = 20mA		1.25	1.45	V
		I_f = 100mA		1.50		
Reverse voltage	V_r	I_r = 10 μA	5			V
Radiated output power	P_u	I_f = 20mA	0.40			Mw
Spectrum width of half value	$\Delta \lambda$	I_f = 20mA		50		nm
Wavelength	λ_p	I_f = 20mA		940		nm