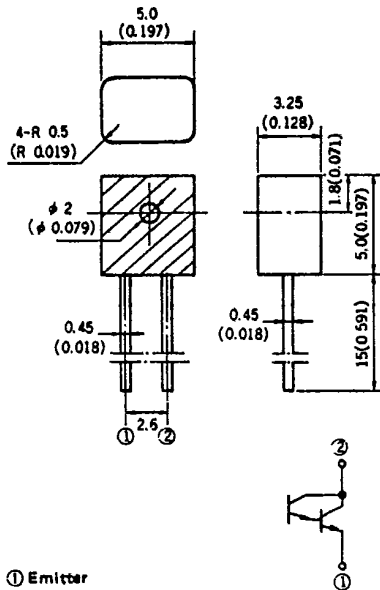


PHOTO TRANSISTOR PH103

DARLINGTON PHOTO TRANSISTOR

PACKAGE DIMENSIONS in millimeters (inches)



① Emitter
② Collector

The PH103 is a darlington photo transistor in a plastic molded package, and very suitable for a detector of a photo interrupter.

ABSOLUTE MAXIMUM RATINGS (Ta = 25 °C)

Collector to Emitter Voltage	V _{CEO}	30	V
Collector Current	I _C	50	mA
Power Dissipation	P _D	100	mW
Junction Temperature	T _j	100	°C
Storage Temperature	T _{stg}	-40 to +100	°C

ELECTRICAL CHARACTERISTICS (Ta = 25 °C)

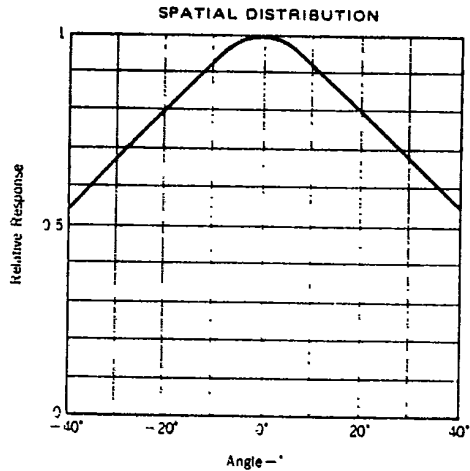
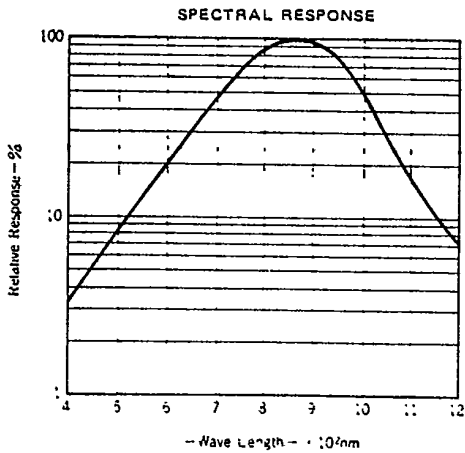
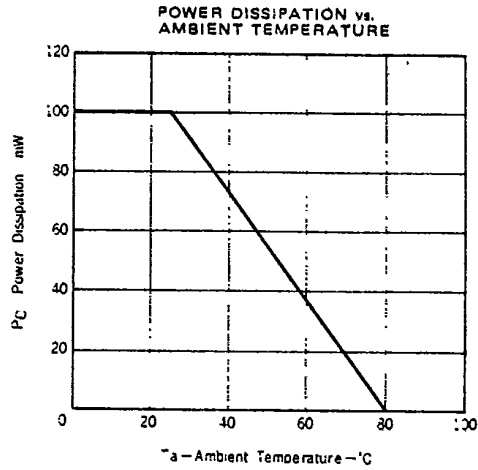
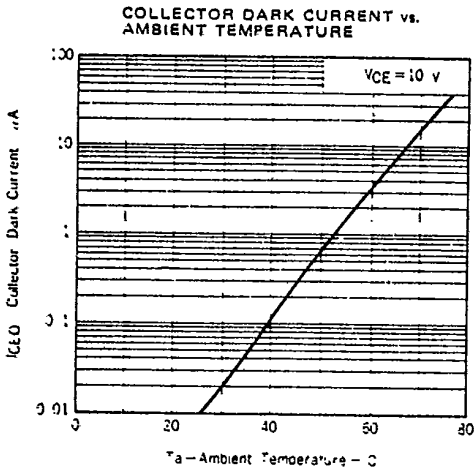
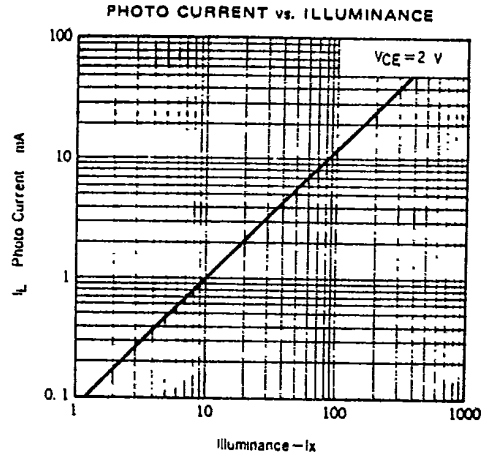
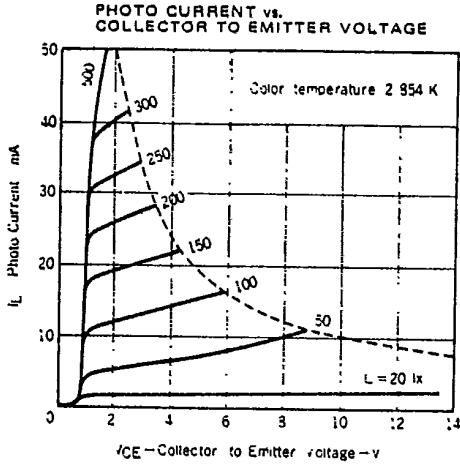
CHARACTERISTIC	SYMBOL	MIN.	TYP.	MAX.	UNIT	TEST CONDITIONS
Collector to Emitter Dark Current	I _{CEO}		10	400	nA	V _{CE} = 10 V, L = 0 lx
Collector Saturation Voltage	V _{CE(sat)}		0.7	1.5	V	I _C = 10 mA, L = 1 000 lx*
Photo Current	I _L	2.0			mA	V _{CE} = 2 V, L = 100 lx*

*Measured with a tungsten filament lamp operated at a color temperature of 2 854 K.

PH103

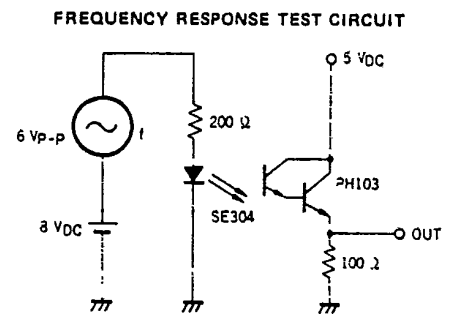
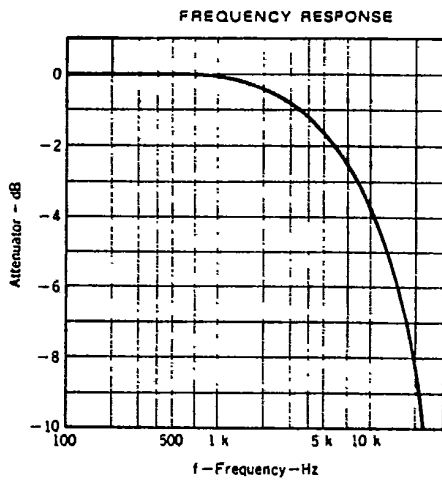
T-41-63

TYPICAL CHARACTERISTICS (Ta = 25 °C)



T-41-63

PH103



3