

NC7WV04 TinyLogic® ULP-A Dual Inverter

General Description

The NC7WV04 is a dual inverter from Fairchild's Ultra Low Power-A (ULP-A) Series of TinyLogic®. ULP-A is ideal for applications that require extreme high speed, high drive and low power. This product is designed for a wide low voltage operating range (0.9V to 3.6V V_{CC}) and applications that require more drive and speed than the TinyLogic ULP series, but still offer best in class low power operation.

The NC7WV04 is uniquely designed for optimized power and speed, and is fabricated with an advanced CMOS technology to achieve high-speed operation while maintaining low CMOS power dissipation.

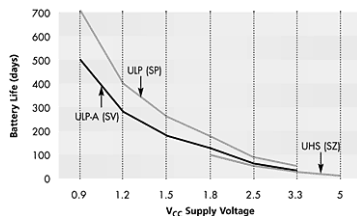
Features

- 0.9V to 3.6V V_{CC} supply operation
- 3.6V overvoltage tolerant I/O's at V_{CC} from 0.9V to 3.6V
- Extremely High Speed t_{PD}
 - 1.5 ns typ for 2.7V to 3.6V V_{CC}
 - 1.8 ns typ for 2.3V to 2.7V V_{CC}
 - 2.0 ns typ for 1.65V to 1.95V V_{CC}
 - 3.2 ns typ for 1.4V to 1.6V V_{CC}
 - 6.0 ns typ for 1.1V to 1.3V V_{CC}
 - 12 ns typ for 0.9V V_{CC}
- Power-Off high impedance inputs and outputs
- High Static Drive (I_{OH}/I_{OL})
 - ±24 mA @ 3.00V V_{CC}
 - ±18 mA @ 2.30V V_{CC}
 - ±6 mA @ 1.65V V_{CC}
 - ±4 mA @ 1.4V V_{CC}
 - ±2 mA @ 1.1V V_{CC}
 - ±0.1 mA @ 0.9V V_{CC}
- Uses patented Quiet Series™ noise/EMI reduction circuitry
- Ultra small MicroPak™ leadfree package
- Ultra low dynamic power

Ordering Code:

| Order Number | Package Number | Product Code Top Mark | Package Description | Supplied As |
|--------------|----------------|-----------------------|-------------------------------------|---------------------------|
| NC7WV04P6X | MAA06A | V04 | 6-Lead SC70, EIAJ SC88, 1.25mm Wide | 3k Units on Tape and Reel |
| NC7WV04L6X | MAC06A | BA | 6-Lead MicroPak, 1.0mm Wide | 5k Units on Tape and Reel |

Battery Life vs. V_{CC} Supply Voltage



TinyLogic ULP and ULP-A with up to 50% less power consumption can extend your battery life significantly.

$$\text{Battery Life} = (V_{\text{battery}} * I_{\text{battery}} * 9) / (P_{\text{device}}) / 24 \text{hrs/day}$$

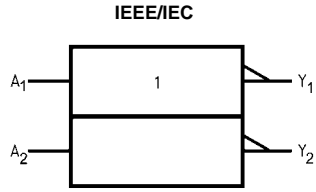
$$\text{Where, } P_{\text{device}} = (I_{CC} * V_{CC}) + (C_{PD} + C_L) * V_{CC}^2 * f$$

Assumes ideal 3.6V Lithium Ion battery with current rating of 900mAh and derated 90% and device frequency at 10MHz, with $C_L = 15$ pF load

TinyLogic® is a registered trademark of Fairchild Semiconductor Corporation.

MicroPak™ and Quiet Series™ are trademarks of Fairchild Semiconductor Corporation.

Logic Symbol



Pin Descriptions

| Pin Names | Description |
|---------------------------------|-------------|
| A ₁ , A ₂ | Data Inputs |
| Y ₁ , Y ₂ | Outputs |

Function Table

$$Y = \overline{A}$$

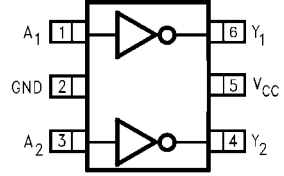
| Input | Output |
|-------|--------|
| A | Y |
| L | H |
| H | L |

H = HIGH Logic Level

L = LOW Logic Level

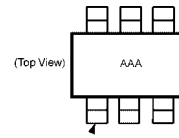
Connection Diagrams

Pin Assignments for SC70



(Top View)

Pin One Orientation Diagram

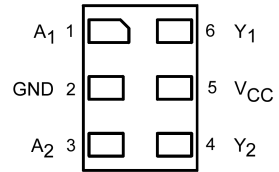


Pin One

AAA represents Product Code Top Mark - see ordering code

Note: Orientation of Top Mark determines Pin One location. REad the Top Product Code Mark left to right, Pin One is the lower left pin (see diagram).

Pad Assignments for MicroPak



(Top Thru View)

| Absolute Maximum Ratings (Note 1) | | | Recommended Operating Conditions (Note 3) | | |
|---|--------------------------|--|---|----------------|--|
| Supply Voltage (V_{CC}) | -0.5V to +4.6V | | Supply Voltage | 0.9V to 3.6V | |
| DC Input Voltage (V_{IN}) | -0.5V to +4.6V | | Input Voltage (V_{IN}) | 0V to 3.6V | |
| DC Output Voltage (V_{OUT}) | | | Output Voltage (V_{OUT}) | | |
| HIGH or LOW State (Note 2) | -0.5V to $V_{CC} + 0.5V$ | | $V_{CC} = 0.0V$ | 0V to 3.6V | |
| $V_{CC} = 0V$ | -0.5V to +4.6V | | HIGH or LOW State | 0V to V_{CC} | |
| DC Input Diode Current (I_{IK}) $V_{IN} < 0V$ | ±50 mA | | Output Current in I_{OH}/I_{OL} | | |
| DC Output Diode Current (I_{OK}) | | | $V_{CC} = 3.0V$ to 3.6V | ±24 mA | |
| $V_{OUT} < 0V$ | -50 mA | | $V_{CC} = 2.3V$ to 2.7V | ±18 mA | |
| $V_{OUT} > V_{CC}$ | +50 mA | | $V_{CC} = 1.65V$ to 1.95V | ±6 mA | |
| DC Output Source/Sink Current (I_{OH}/I_{OL}) | ± 50 mA | | $V_{CC} = 1.4V$ to 1.6V | ±4 mA | |
| DC V_{CC} or Ground Current per | | | $V_{CC} = 1.1V$ to 1.3V | ±2 mA | |
| Supply Pin (I_{CC} or Ground) | ± 50 mA | | $V_{CC} = 0.9V$ | ±0.1 mA | |
| Storage Temperature Range (T_{STG}) | -65°C to +150°C | | Free Air Operating Temperature (T_A) | -40°C to +85°C | |
| | | | Minimum Input Edge Rate ($\Delta t/\Delta V$) | | |
| | | | $V_{IN} = 0.8V$ to 2.0V, $V_{CC} = 3.0V$ | 10 ns/V | |

Note 1: Absolute Maximum Ratings: are those values beyond which the safety of the device cannot be guaranteed. The device should not be operated at these limits. The parametric values defined in the Electrical Characteristics tables are not guaranteed at the absolute maximum ratings. The "Recommended Operating Conditions" table will define the conditions for actual device operation.

Note 2: I_O Absolute Maximum Rating must be observed.

Note 3: Unused inputs must be held HIGH or LOW. They may not float.

DC Electrical Characteristics

| Symbol | Parameter | V_{CC} (V) | $T_A = +25^\circ C$ | | $T_A = -40^\circ C$ to $+85^\circ C$ | | Units | Conditions |
|------------------------------|------------------------------|------------------------------|---------------------|-----------------|--------------------------------------|-----------------|-------|-----------------------|
| | | | Min | Max | Min | Max | | |
| V_{IH} | HIGH Level Input Voltage | 0.90 | 0.65 x V_{CC} | | 0.65 x V_{CC} | | V | |
| | | $1.10 \leq V_{CC} \leq 1.30$ | 0.65 x V_{CC} | | 0.65 x V_{CC} | | | |
| | | $1.40 \leq V_{CC} \leq 1.60$ | 0.65 x V_{CC} | | 0.65 x V_{CC} | | | |
| | | $1.65 \leq V_{CC} \leq 1.95$ | 0.65 x V_{CC} | | 0.65 x V_{CC} | | | |
| | | $2.30 \leq V_{CC} < 2.70$ | 1.6 | | 1.6 | | | |
| | | $2.70 \leq V_{CC} \leq 3.60$ | 2.0 | | 2.0 | | | |
| V_{IL} | LOW Level Input Voltage | 0.90 | | 0.35 x V_{CC} | | 0.35 x V_{CC} | V | |
| | | $1.10 \leq V_{CC} \leq 1.30$ | | 0.35 x V_{CC} | | 0.35 x V_{CC} | | |
| | | $1.40 \leq V_{CC} \leq 1.60$ | | 0.35 x V_{CC} | | 0.35 x V_{CC} | | |
| | | $1.65 \leq V_{CC} \leq 1.95$ | | 0.35 x V_{CC} | | 0.35 x V_{CC} | | |
| | | $2.30 \leq V_{CC} < 2.70$ | | 0.7 | | 0.7 | | |
| | | $2.70 \leq V_{CC} \leq 3.60$ | | 0.8 | 0.8 | | | |
| V_{OH} | HIGH Level Output Voltage | 0.90 | $V_{CC} - 0.1$ | | $V_{CC} - 0.1$ | | V | $I_{OH} = -100 \mu A$ |
| | | $1.10 \leq V_{CC} \leq 1.30$ | $V_{CC} - 0.1$ | | $V_{CC} - 0.1$ | | | |
| | | $1.40 \leq V_{CC} \leq 1.60$ | $V_{CC} - 0.2$ | | $V_{CC} - 0.2$ | | | |
| | | $1.65 \leq V_{CC} \leq 1.95$ | $V_{CC} - 0.2$ | | $V_{CC} - 0.2$ | | | |
| | | $2.30 \leq V_{CC} < 2.70$ | $V_{CC} - 0.2$ | | $V_{CC} - 0.2$ | | | |
| | | $2.70 \leq V_{CC} \leq 3.60$ | $V_{CC} - 0.2$ | | $V_{CC} - 0.2$ | | | |
| | | $1.10 \leq V_{CC} \leq 1.30$ | 0.75 x V_{CC} | | 0.75 x V_{CC} | | | |
| | | $1.40 \leq V_{CC} \leq 1.60$ | 0.75 x V_{CC} | | 0.75 x V_{CC} | | | |
| | | $1.65 \leq V_{CC} \leq 1.95$ | 1.25 | | 1.25 | | | |
| | | $2.30 \leq V_{CC} < 2.70$ | 2.0 | | 2.0 | | | |
| | | $2.30 \leq V_{CC} < 2.70$ | 1.8 | | 1.8 | | | |
| | | $2.70 \leq V_{CC} \leq 3.60$ | 2.2 | | 2.2 | | | |
| | | $2.30 \leq V_{CC} < 2.70$ | 1.7 | | 1.7 | | | |
| $2.70 \leq V_{CC} \leq 3.60$ | 2.4 | | 2.4 | | | | | |
| $2.70 \leq V_{CC} \leq 3.60$ | 2.2 | | 2.2 | | | | | |

DC Electrical Characteristics (Continued)

| Symbol | Parameter | V _{CC} (V) | T _A = +25°C | | T _A = -40°C to +85°C | | Units | Conditions |
|-------------------------------|-----------------------------|-------------------------------|------------------------|------------------------|---------------------------------|------------------------|-------------------------|--|
| | | | Min | Max | Min | Max | | |
| V _{OL} | LOW Level Output Voltage | 0.90 | | 0.1 | | 0.1 | V | I _{OL} = 100 μA |
| | | 1.10 ≤ V _{CC} ≤ 1.30 | | 0.1 | | 0.1 | | |
| | | 1.40 ≤ V _{CC} ≤ 1.60 | | 0.2 | | 0.2 | | |
| | | 1.65 ≤ V _{CC} ≤ 1.95 | | 0.2 | | 0.2 | | |
| | | 2.30 ≤ V _{CC} < 2.70 | | 0.2 | | 0.2 | | |
| | | 2.70 ≤ V _{CC} ≤ 3.60 | | 0.2 | | 0.2 | | |
| | | 1.10 ≤ V _{CC} ≤ 1.30 | | 0.25 x V _{CC} | | 0.25 x V _{CC} | | |
| | | 1.40 ≤ V _{CC} ≤ 1.60 | | 0.25 x V _{CC} | | 0.25 x V _{CC} | | |
| | | 1.65 ≤ V _{CC} ≤ 1.95 | | 0.3 | | 0.3 | | |
| | | 2.30 ≤ V _{CC} < 2.70 | | 0.4 | | 0.4 | | |
| | | 2.70 ≤ V _{CC} ≤ 3.60 | | 0.4 | | 0.4 | | |
| | | 2.30 ≤ V _{CC} < 2.70 | | 0.6 | | 0.6 | | |
| 2.70 ≤ V _{CC} ≤ 3.60 | | 0.4 | | 0.4 | | | | |
| 2.70 ≤ V _{CC} ≤ 3.60 | | | 0.55 | | 0.55 | | I _{OL} = 2 mA | |
| | | | | | | | I _{OL} = 4 mA | |
| | | | | | | | I _{OL} = 6 mA | |
| | | | | | | | I _{OL} = 12 mA | |
| | | | | | | | I _{OL} = 18 mA | |
| | | | | | | | I _{OL} = 24 mA | |
| I _{IN} | Input Leakage Current | 0.90 to 3.60 | | ±0.1 | | ±0.5 | μA | 0 ≤ V _I ≤ 3.6V |
| I _{OFF} | Power Off Leakage Current | 0 | | 0.5 | | 0.5 | μA | 0 ≤ (V _I , V _O) ≤ 3.6V |
| I _{CC} | Quiescent Supply Current | 0.90 to 3.60 | | 0.9 | | 0.9 | μA | V _I = V _{CC} or GND V _{CC} ≤ V _I ≤ 3.6V |
| | | 0.90 to 3.60 | | | | ±0.9 | | |

AC Electrical Characteristics

| Symbol | Parameter | V _{CC} (V) | T _A = +25°C | | | T _A = -40°C to +85°C | | Units | Conditions | Figure Number |
|-------------------------------|-------------------------------|-------------------------------|------------------------|-----|------|---------------------------------|-----|--|--------------|---|
| | | | Min | Typ | Max | Min | Max | | | |
| t _{PHL} | Propagation Delay | 0.90 | | 12 | | | ns | C _L = 15 pF, R _L = 1 MΩ | Figures 1, 2 | |
| t _{PLH} | | 1.10 ≤ V _{CC} ≤ 1.30 | 2.0 | 6 | 12.1 | 1.0 | | 14.9 | | C _L = 15 pF, R _L = 2 kΩ |
| | | 1.40 ≤ V _{CC} ≤ 1.60 | 1.0 | 3.2 | 5.4 | 0.9 | | 6.0 | | |
| | | 1.65 ≤ V _{CC} ≤ 1.95 | 1.0 | 2.0 | 4.6 | 0.7 | | 5.2 | | C _L = 30 pF |
| | | 2.30 ≤ V _{CC} < 2.70 | 0.8 | 1.8 | 3.6 | 0.6 | | 3.8 | | R _L = 500 kΩ |
| 2.70 ≤ V _{CC} ≤ 3.60 | 0.7 | 1.5 | 3.0 | 0.5 | 3.3 | | | | | |
| C _{IN} | Input Capacitance | 0 | | 2.0 | | | pF | | | |
| C _{OUT} | Output Capacitance | 0 | | 4.5 | | | pF | | | |
| C _{PD} | Power Dissipation Capacitance | 0.90 to 3.60 | | 10 | | | pF | V _I = 0V or V _{CC} f = 10 MHz | | |

AC Loading and Waveforms

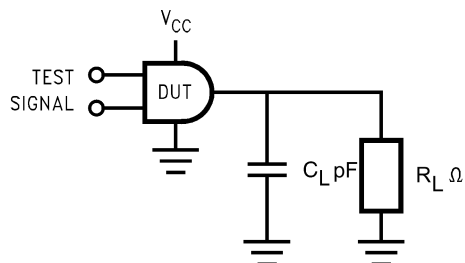


FIGURE 1. AC Test Circuit

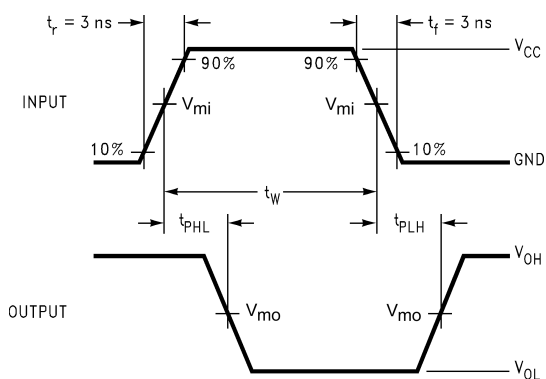


FIGURE 2. AC Waveforms

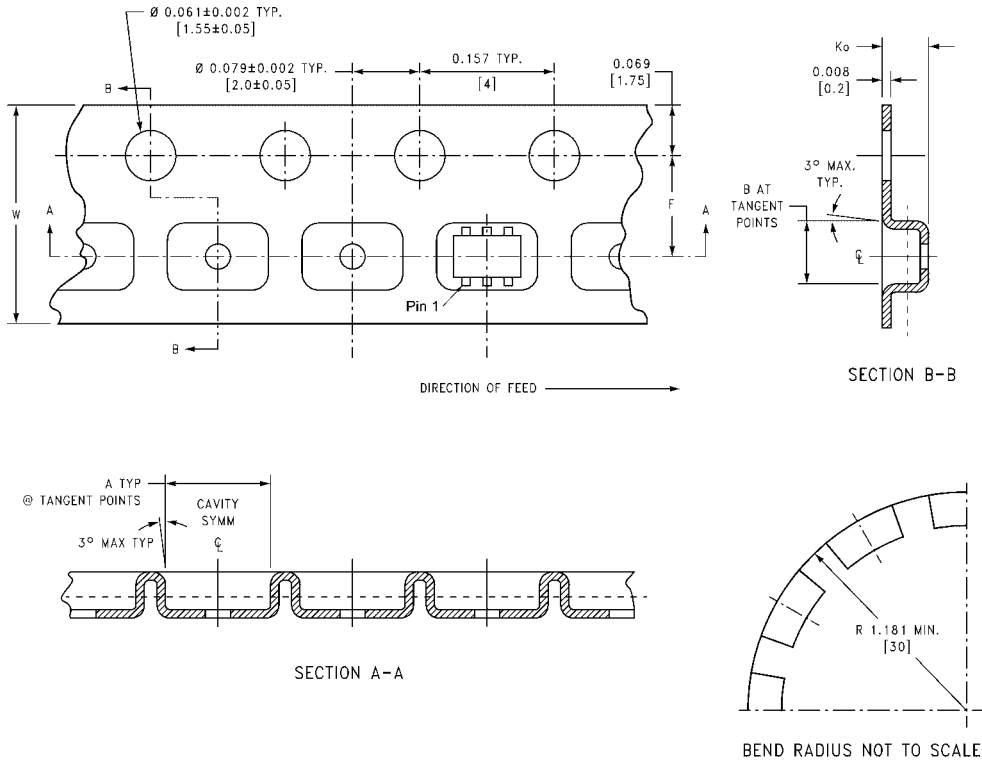
| Symbol | V_{CC} | | | | | |
|----------|-------------|-------------|--------------|--------------|--------------|------------|
| | 3.3V ± 0.3V | 2.5V ± 0.2V | 1.8V ± 0.15V | 1.5V ± 0.10V | 1.2V ± 0.10V | 0.9V |
| V_{mi} | 1.5V | $V_{CC}/2$ | $V_{CC}/2$ | $V_{CC}/2$ | $V_{CC}/2$ | $V_{CC}/2$ |
| V_{mo} | 1.5V | $V_{CC}/2$ | $V_{CC}/2$ | $V_{CC}/2$ | $V_{CC}/2$ | $V_{CC}/2$ |

Tape and Reel Specification

TAPE FORMAT for SC70

| Package Designator | Tape Section | Number Cavities | Cavity Status | Cover Tape Status |
|--------------------|--------------------|-----------------|---------------|-------------------|
| P6X | Leader (Start End) | 125 (typ) | Empty | Sealed |
| | Carrier | 3000 | Filled | Sealed |
| | Trailer (Hub End) | 75 (typ) | Empty | Sealed |

TAPE DIMENSIONS inches (millimeters)

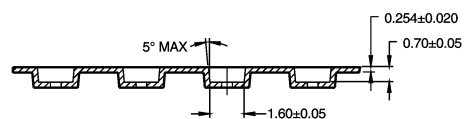
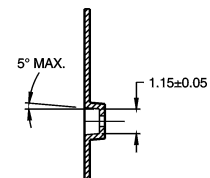
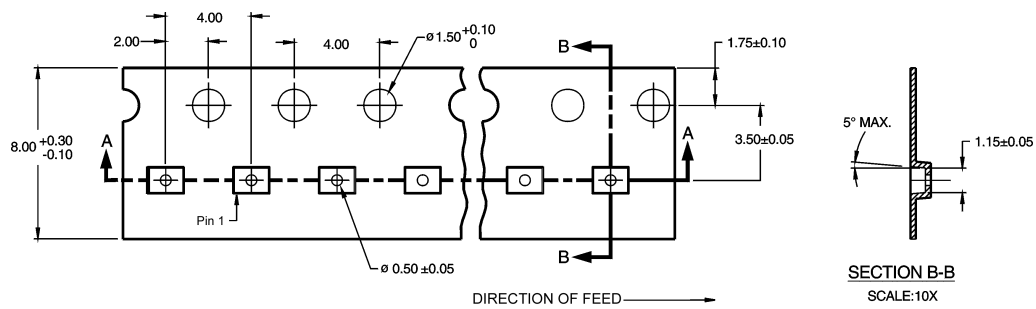


Tape and Reel Specification (Continued)

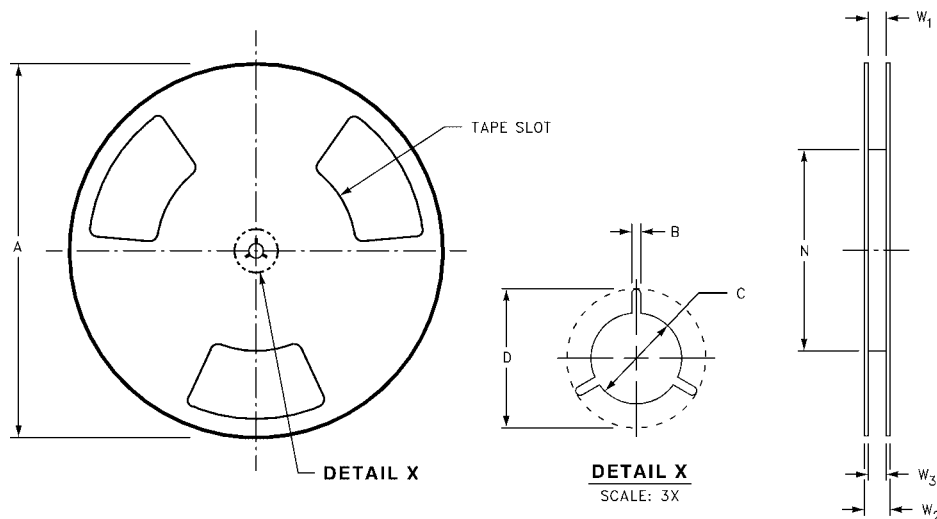
TAPE FORMAT for MicroPak

| Package Designator | Tape Section | Number Cavities | Cavity Status | Cover Tape Status |
|--------------------|--------------------|-----------------|---------------|-------------------|
| L6X | Leader (Start End) | 125 (typ) | Empty | Sealed |
| | Carrier | 5000 | Filled | Sealed |
| | Trailer (Hub End) | 75 (typ) | Empty | Sealed |

TAPE DIMENSIONS inches (millimeters)

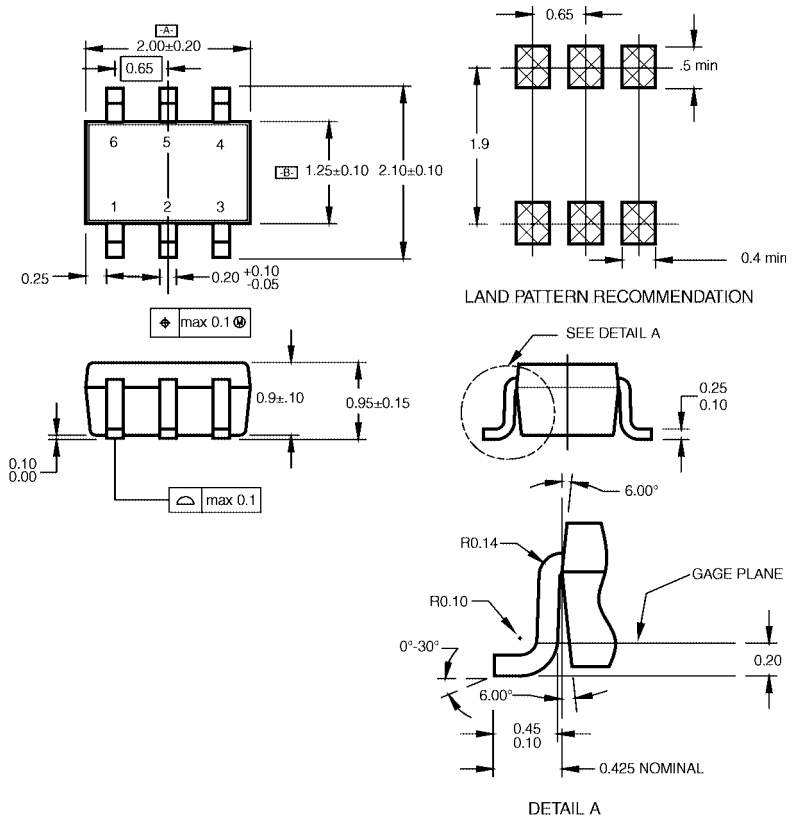


REEL DIMENSIONS inches (millimeters)



| Tape Size | A | B | C | D | N | W1 | W2 | W3 |
|-----------|----------------|-----------------|------------------|------------------|------------------|---|------------------|--|
| 8 mm | 7.0 (177.8) | 0.059 (1.50) | 0.512 (13.00) | 0.795 (20.20) | 2.165 (55.00) | 0.331 + 0.059/-0.000 (8.40 + 1.50/-0.00) | 0.567 (14.40) | W1 + 0.078/-0.039 (W1 + 2.00/-1.00) |

Physical Dimensions inches (millimeters) unless otherwise noted

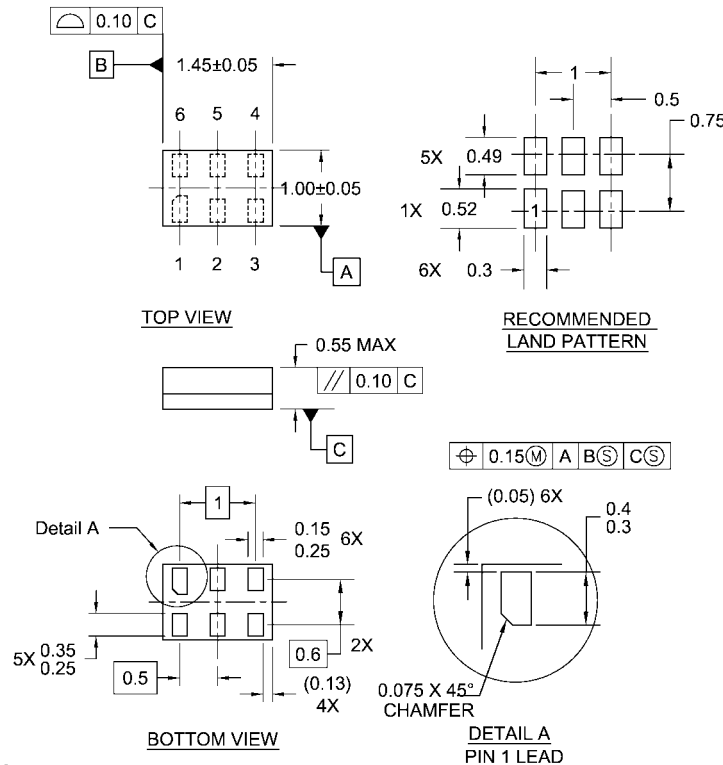


NOTES:
 A. CONFORMS TO EIAJ REGISTERED OUTLINE DRAWING SC88.
 B. DIMENSIONS DO NOT INCLUDE BURRS OR MOLD FLASH.
 C. DIMENSIONS ARE IN MILLIMETERS.

MAA06ARevC

**6-Lead SC70, EIAJ SC88, 1.25mm Wide
 Package Number MAA06A**

Physical Dimensions inches (millimeters) unless otherwise noted (Continued)



- Notes:
1. JEDEC PACKAGE REGISTRATION IS ANTICIPATED
 2. DIMENSIONS ARE IN MILLIMETERS
 3. DRAWING CONFORMS TO ASME Y14.5M-1994

MAC06ARevB

**6-Lead MicroPak, 1.0mm Wide
Package Number MAC06A**

Fairchild does not assume any responsibility for use of any circuitry described, no circuit patent licenses are implied and Fairchild reserves the right at any time without notice to change said circuitry and specifications.

LIFE SUPPORT POLICY

FAIRCHILD'S PRODUCTS ARE NOT AUTHORIZED FOR USE AS CRITICAL COMPONENTS IN LIFE SUPPORT DEVICES OR SYSTEMS WITHOUT THE EXPRESS WRITTEN APPROVAL OF THE PRESIDENT OF FAIRCHILD SEMICONDUCTOR CORPORATION. As used herein:

1. Life support devices or systems are devices or systems which, (a) are intended for surgical implant into the body, or (b) support or sustain life, and (c) whose failure to perform when properly used in accordance with instructions for use provided in the labeling, can be reasonably expected to result in a significant injury to the user.
2. A critical component in any component of a life support device or system whose failure to perform can be reasonably expected to cause the failure of the life support device or system, or to affect its safety or effectiveness.

www.fairchildsemi.com