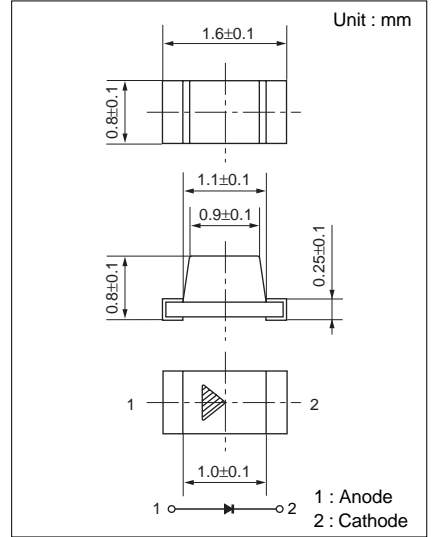


# SS Type

Type No.            Lighting Color  
 LNJ308G8JRA ..... Green



## 絶対最大定格 Absolute Maximum Ratings (Ta=25°C)

Lighting Color	P <sub>D</sub> (mW)	I <sub>F</sub> (mA)	I <sub>FP</sub> (mA)*	V <sub>R</sub> (V)	T <sub>opr</sub> (°C)	T <sub>stg</sub> (°C)
Green	50	20	100	4	-25 ~ +85	-40 ~ +100

\* I<sub>FP</sub>の条件は、duty 10%, Pulse width 1 msec. The condition of I<sub>FP</sub> is duty 10%, Pulse width 1 msec

## 電気的光学的特性 Electro-Optical Characteristics (Ta=25°C)

Type No.	Lighting Color	Lens Color	I <sub>O</sub>		I <sub>F</sub>	V <sub>F</sub>		λ <sub>P</sub>	Δλ	I <sub>F</sub>	I <sub>R</sub>	
			typ	min		typ	max	typ	typ		max	V <sub>R</sub>
LNJ308G8JRA	Green	Green Diffused	6.8	3.6	10	2.0	2.6	565	30	10	10	4
Unit	—	—	mcd	mcd	mA	V	V	nm	nm	mA	μA	V

