

Round Type

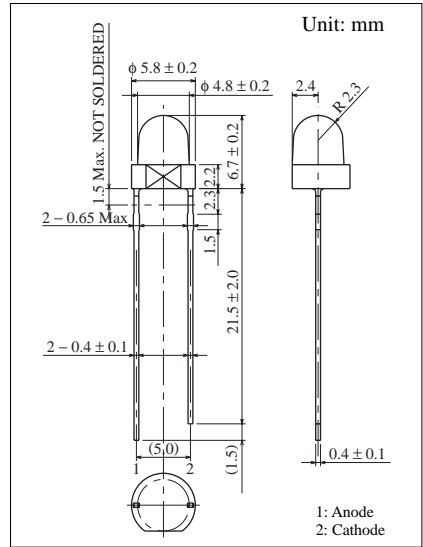
φ 4.8 mm GaAsP

Conventional Part No. Global Parts No. Lighting Color
 LNG4B4NPY LNG4B4NPY Amber
 LNG8B4LPD LNG8B4LPD Orange

■ Absolute Maximum Ratings (T_a = 25°C)

Lighting Color	P _D (mW)	I _F (mA)	I _{FP} (mA)*	V _R (V)	T _{opr} (°C)	T _{stg} (°C)
Amber	90	30	150	4	-25 ~ +85	-30 ~ +100
Orange	90	30	150	3	-25 ~ +85	-30 ~ +100

I_{FP}の条件は duty 10% , Pulse width 1 msec. The condition of I_{FP} is duty 10%, Pulse width 1 msec



■ Electro-Optical Characteristics (T_a = 25°C)

Conventional Part No.	Lighting Color	Lens Color	I _O		I _F	V _F		λ _P	Δλ	I _F	I _R	
			Typ	Min		Typ	Max				Max	V _R
LNG4B4NPY	Amber	Clear	50	—	20	2.2	2.8	590	30	20	10	4
LNG8B4LPD	Orange	Clear	80	30	20	2.1	2.8	630	40	20	10	3
Unit	—	—	mcd	mcd	mA	V	V	nm	nm	mA	μA	V

