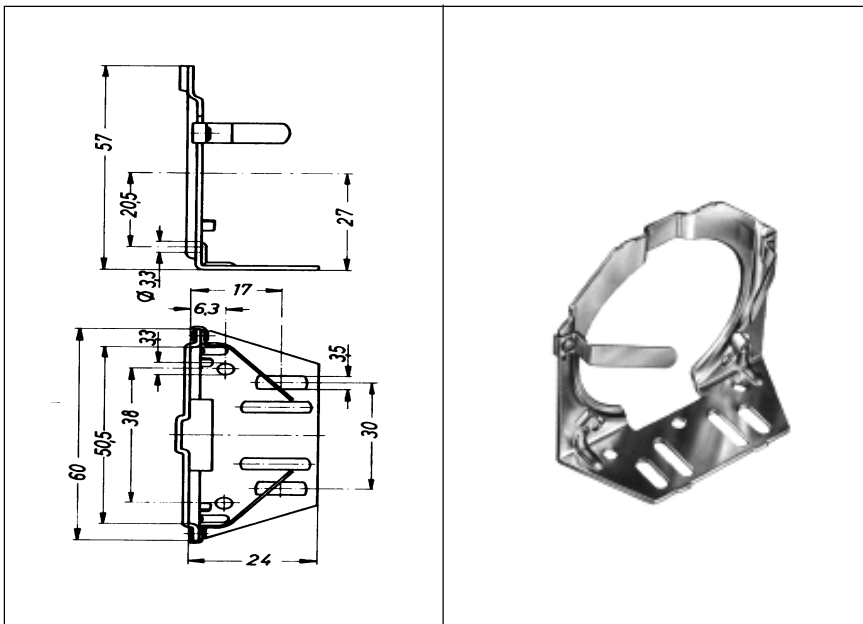
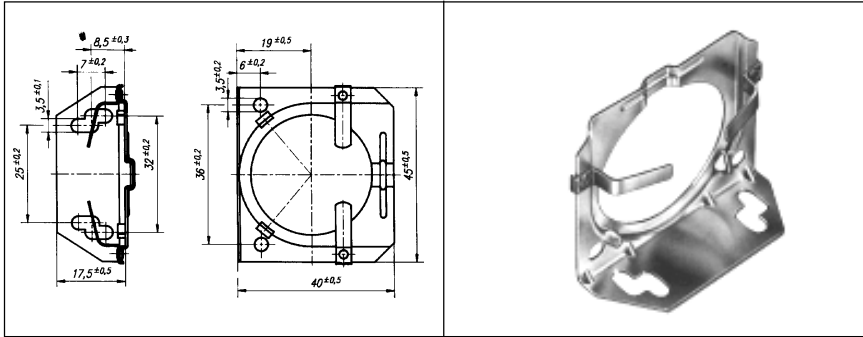


## Reflector Holders - Mounting Clips



### H707

**Lamp Base** Any lamp with  
50mm diameter  
reflector (MR-16)

**Holder** Plated Alloy Steel