

CMOS Circuit for Analog Quartz Clocks with Bipolar Stepping Motor Drive

Description

The H 1344 is a low power 32Khz analog clock integrated circuit designed in HCMOS technology to drive a bipolar stepping motor. A set of capacitors is provided on chip to be connected, in any combination, to the two oscillator terminals, with a maximum total capacitance of 48pF. Both the motor pulse period and the motor pulse width are mask-programmable. See page 6 for already available options.

Applications

- Analog clocks

Features

- 32kHz quartz oscillator
- Integrated capacitors, mask selectable
- Single battery operation
- 0.7 μ A typical current consumption
- Low resistance outputs for bipolar stepping motor
- Mask options for pad designation, motor period and pulse width, alarm frequency, modulation and duty cycle
- Alarm output function compatible with either NPN or PNP-driver transistors
- Alarm input function
- 1024Hz output on AL_{IN} pad for oscillator frequency verification
- Fast test function
- ESD protected terminals

Functional Diagram

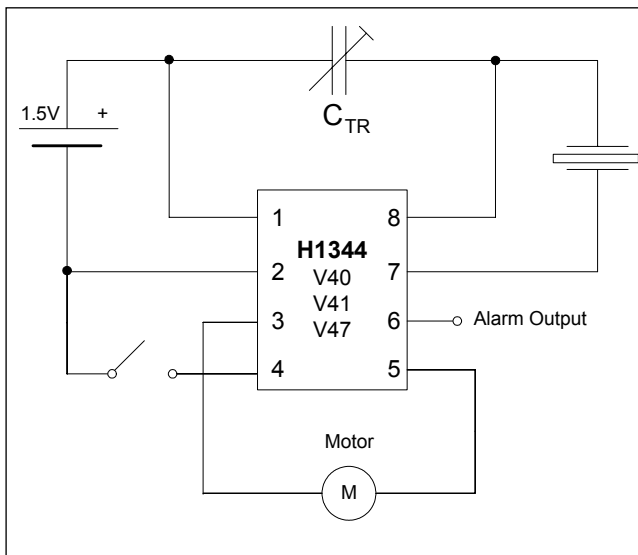


Fig. 1

Pin Assignment

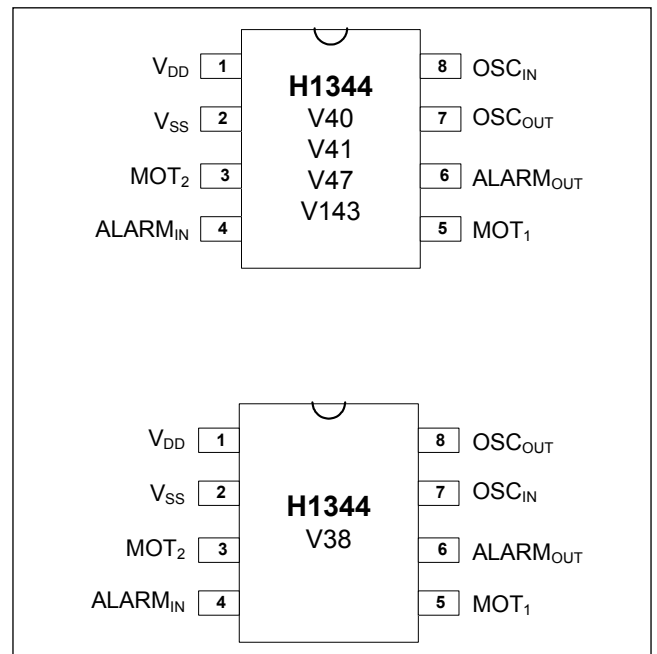
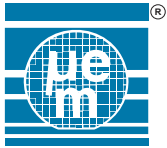


Fig. 2



Absolute Maximum Ratings

Parameter	Symbol	Min.	Max.	Units
Supply voltage range	$V_{DD} - V_{SS}$	-0.3	+5	V
Input voltage	V_{IN}	V_{SS}	V_{DD}	V
Storage temperature	T_{STOR}	-55	+125	°C

Table 1

Stresses beyond these listed maximum ratings may cause permanent damage to the device. Exposure to conditions beyond specified operating conditions may affect device reliability or cause malfunction.

Handling Procedures

This device contains circuitry to protect the terminals against damage due to high static voltages or electrical fields. However, it is advised that normal precautions be taken to avoid application of any voltage higher than maximum rated voltages to this circuit.

Recommended Operating Conditions

Parameter	Symbol	Value	Units
Ambient temperature	T	25	°C
Quartz frequency	F_Q	32768	Hz
Quartz series resistance	R_Q	30	kΩ
Motor coil resistance	R_M	200	Ω
Positive supply	V_{DD}	1.55	V
Negative supply	V_{SS}	0	V

Table 2

Operating Conditions

Parameter	Symbol	Min.	Typ.	Max.	Units
Operating temperature	T_{OPR}	-20	30	+70	°C
Quartz series resistance				50	kΩ
Trimmer capacitance	C_{TR}	1.5		30	pF

Table 3

Electrical and Switching Characteristics

at recommended operating conditions (valid unless otherwise specified)

Parameter	Symbol	Test	Min.	Typ.	Max.	Units
Supply voltage Supply current	$V_{DD} I_{DD}$	operating without, AL_{IN} open	+1.1	0.7	+1.8 2.0	V μA
Motor Output Current into load Pulse period Pulse width	I_M T_1 t_w	$V_{DD} = 1.2V, R_M = 200\Omega$	±4.0	Mask option* Mask option*		mA s ms
Alarm Output Frequency Modulation Cycle time Pulse duration Output current for driving NPN-transistor Output current for driving PNP-transistor	f_A f_{A1} t_2 t_P I_{ALOUTN} I_{ALOUTN} I_{ALOUTN} I_{ALOUTN}	$V_{DD} = 1.2V, V_{OL} = 0.2V$ $V_{DD} = 1.2V, V_{OH} = 0.7V$ $V_{DD} = 1.2V, V_{OL} = 0.5V$ $V_{DD} = 1.2V, V_{OH} = 1.0V$	0.5 0.3 0.3 0.5	Mask option* Mask option* Mask option* Mask option*		Hz Hz s s μA mA mA μA
Alarm Input Test In/Output Alarm input delay Test frequency Input current (alarm) Input current	t_{ALD} f_T I_{IN} I_{IN}	Input at $V_{SS}, V_{DD} = 1.4V$ Input at V_{DD}	125 -1 1	1024 -5 15	570 -10 30	ms Hz μA μA
Oscillator Build-up time Stability against supply voltage variation Output capacitance Input capacitance	t_{START} $\frac{\Delta f}{\Delta V_{DD} \times f}$ C_{OUT} C_{IN}	$V_{DD} = 1.2V$ $1.1V \leq V_{DD} \leq 1.8V$		5 Mask option* Mask option*	2 12	s ppm/V pF pF

Table 4

*: See "Available options" on page 6.

Timing Waveforms

Motor Output Waveform

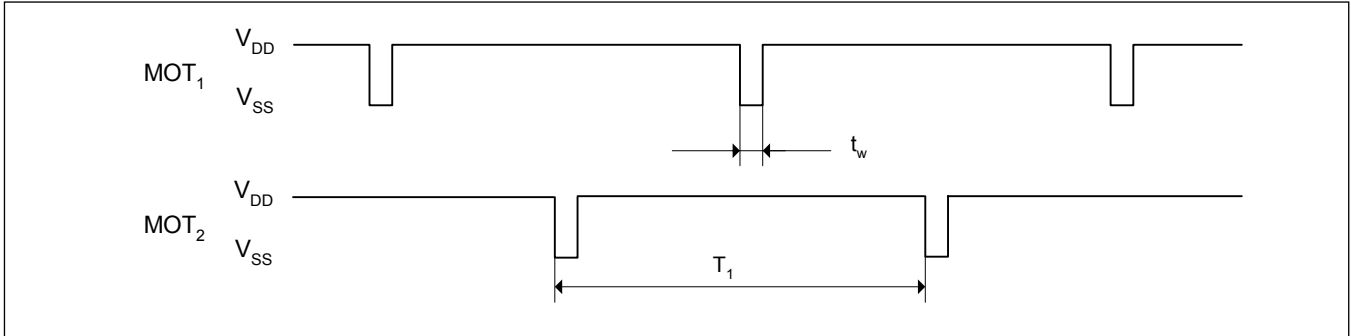


Fig. 3

Alarm Output Waveform

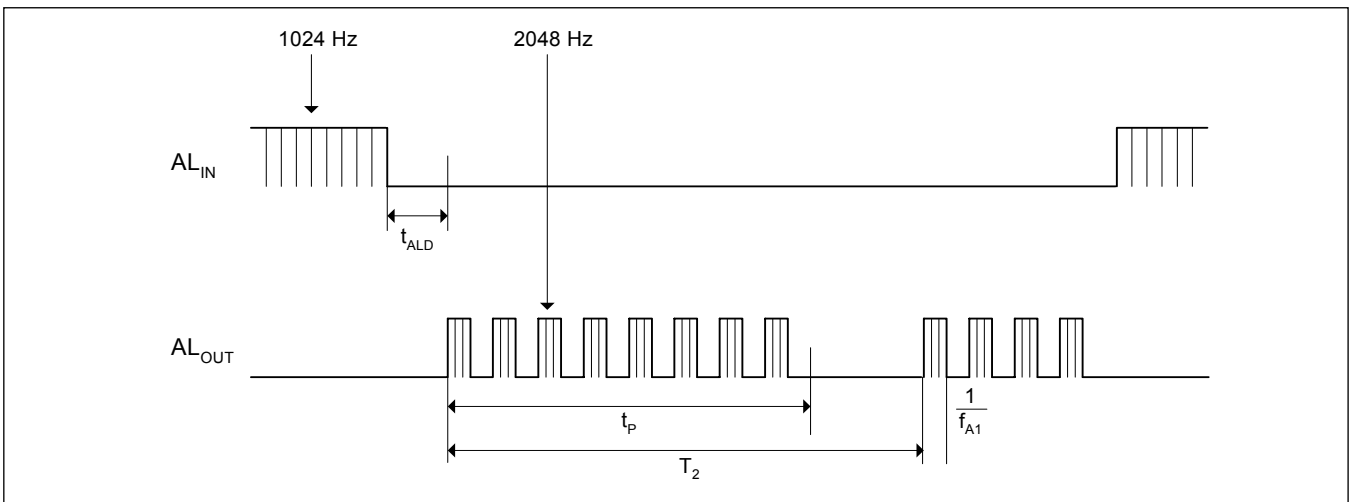


Fig. 4

Functional Description

Oscillator and Frequency Divider

The quartz oscillator consists of an inverter, internal feedback resistance to bias the input and integrated capacitors. The values of the integrated capacitors are selectable by metal mask. The oscillator is designed for 32768Hz.

Motor Drive Output

The circuit contains two push-pull output buffers for driving bipolar stepping motors. Between two pulses, both P-channel transistor of the other buffer are conducting. The outputs are protected against inductive voltage spikes with diodes to both supply pins.

Both the motor pulse period and motor pulse width are programmable by metal mask over a wide range of values (see page 6 for available options).

Alarm Output

The alarm is activated by connecting $ALARM_{IN}$ to V_{SS} and is deactivated by opening the connection. A metal mask option is available to program a continuous activation of the alarm output.

The alarm output driver contains a push-pull output buffer to drive an external sound source by means of an external bipolar transistor. A metal mask option is available to allow the use of NPN or PNP-transistors.

The tone frequency, modulation frequency, modulation frequency and cycle time (ON/OFF time) are metal mask selectable.

Test Mode

The $ALARM_{IN}$ pin fulfills three functions:

- For normal operation, the $ALARM_{IN}$ pin is left open. The circuit provides a square wave signal of 1024Hz, which can be used to tune the oscillator.
- If the pin is connected to V_{SS} , the alarm signal is provided at pin 6.
- If the $ALARM_{IN}$ pin is connected to V_{DD} , all output frequencies are increased by a factor of 64, the alarm modulation of $f_{A1} = 8\text{Hz}$ and $f_A = 2\text{kHz}$ are suppressed.

Test configuration

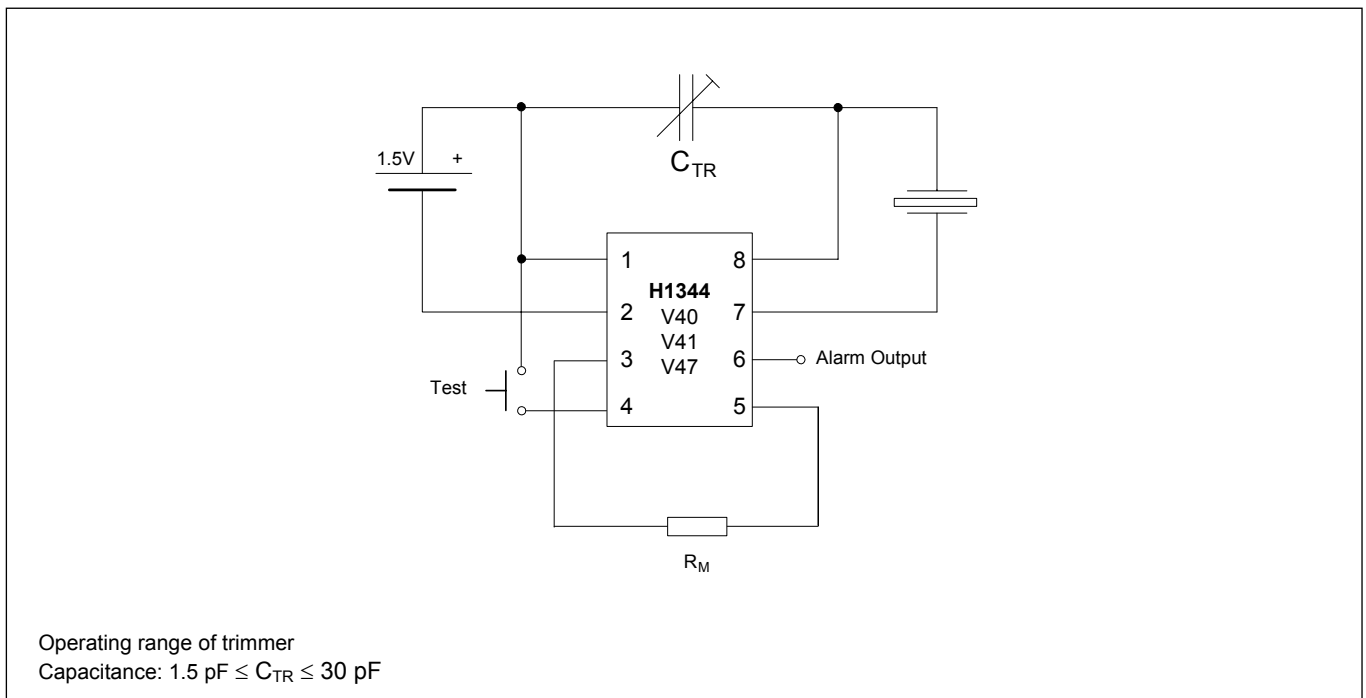


Fig. 5

Pad Location Diagram

All dimensions in μm

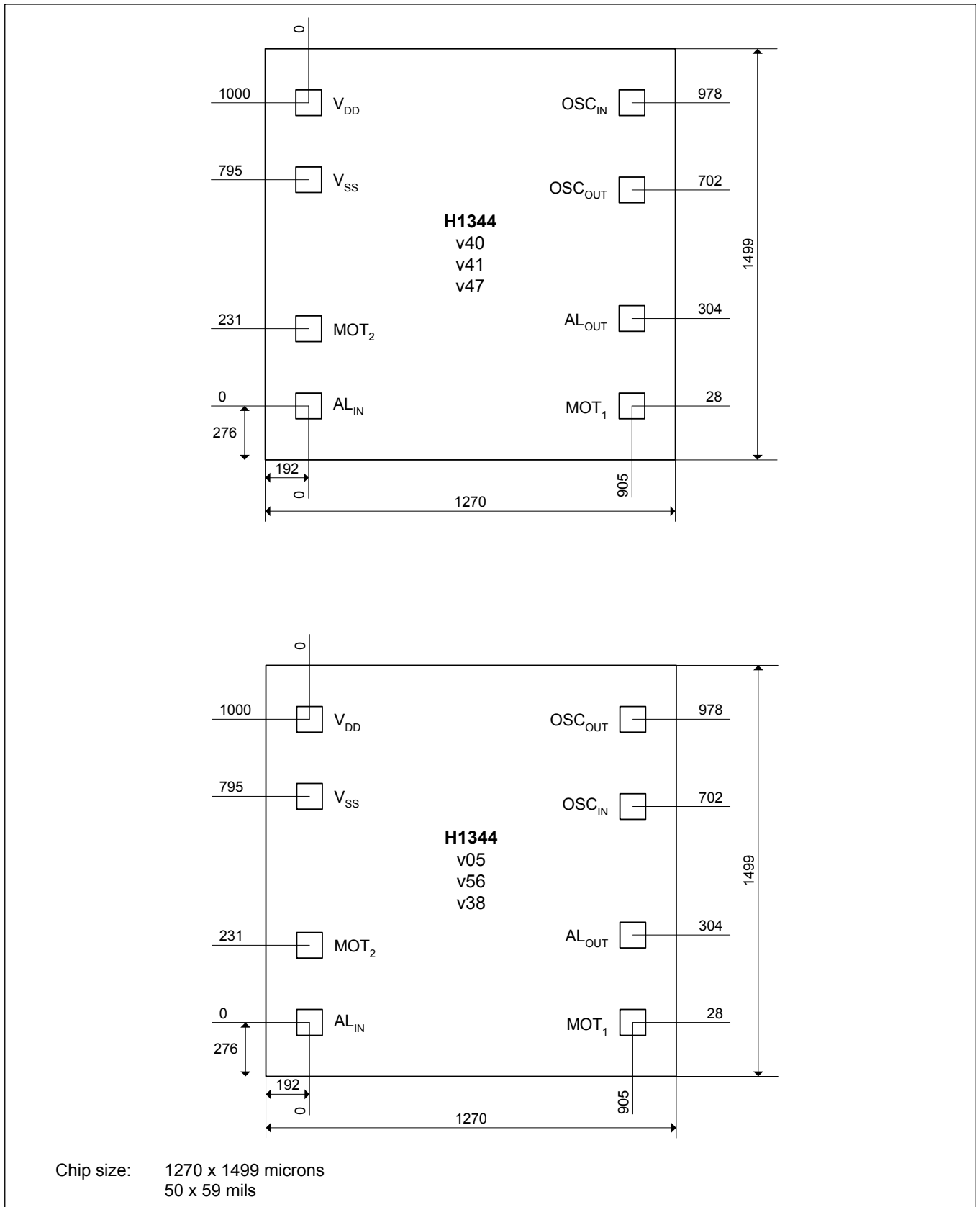


Fig. 6



Ordering Information

Versions

The versions below are considered standards. For the other delivery form, please contact EM Microelectronic-Marin S.A. Please make sure to give the complete part number when ordering.

Part Number	Version	Motor		Alarm Output				Integrated Capacitance		Alarm Output Transistor	Package	Delivery Form
		Period (T_1)	Pulse width (t_w)	Frequency (F_A)	Modulation (f_{A1})	Cycle time (T_2)	Pulse duration (t_P)	(C_{IN})	(C_{OUT})			
H1344V38DL8A	V38	2s	46.8ms	2048Hz	8Hz	4s	1s	3pF	28pF	NPN	DIL8	Stick
H1344V38DLWS11											Dice	Sawn wafer
H1344V40DL8A	V40	2s	46.8ms	2048Hz	8Hz	4s	1s	3pF	20pF	NPN	DIL8	Stick
H1344V40DLWS11											Dice	Sawn wafer
H1344V41DL8A	V41	2s	23.4ms	2048Hz	8Hz	4s	1s	3pF	20pF	NPN	DIL8	Stick
H1344V41DLWS11											Dice	Sawn wafer
H1344V47DL8A	V47	2s	31.24ms	2048Hz	8Hz	1s	0.5s	3pF	20pF	NPN	DIL8	Stick
H1344V47DLWS11											Dice	Sawn wafer
H1344V143DL8A	V143)	2s	46.8ms	--	--	4s	1s	17pF	25pF	--	DIL8	Stick
H1344V143SO8A											8 pin SOIC	Stick
H1344V143SO8B											8 pin SOIC	Tape & Reel

*) Supply voltage range of 1.4V – 2.8V

EM Microelectronic-Marin SA cannot assume responsibility for use of any circuitry described other than circuitry entirely embodied in an EM Microelectronic-Marin SA product. EM Microelectronic-Marin SA reserves the right to change the circuitry and specifications without notice at any time. You are strongly urged to ensure that the information given has not been superseded by a more up-to-date version.