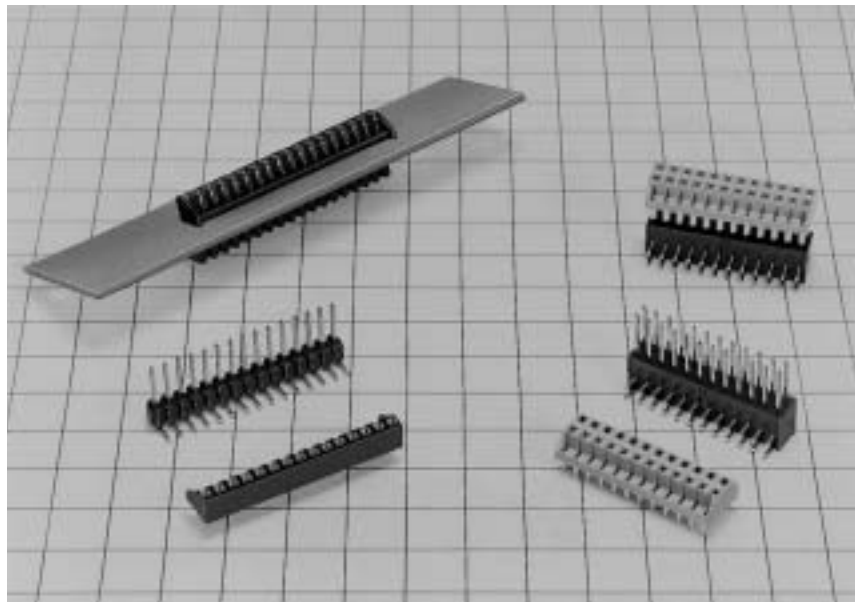


GT9 Series

Developed for Equipment
Exposed to Harsh Environmental Conditions

< 12 Pos., 15 Pos., 16 Pos., 18 Pos., 19 Pos., and 25 Pos. >



■ Features

- Bottom entry type
- High-pressure type with dimple processing at contact portion
- Flux prevention processing specification also available.* (Specification 05)
 - * Flux prevention processing: The hole connector is immersed in a flux prevention processing liquid and the surface is coated to prevent flux wicking.

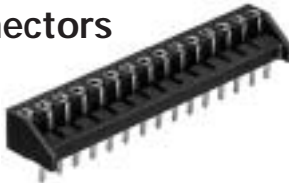
Custom orders of other numbers of Pos. can be accommodated.

■ Applications

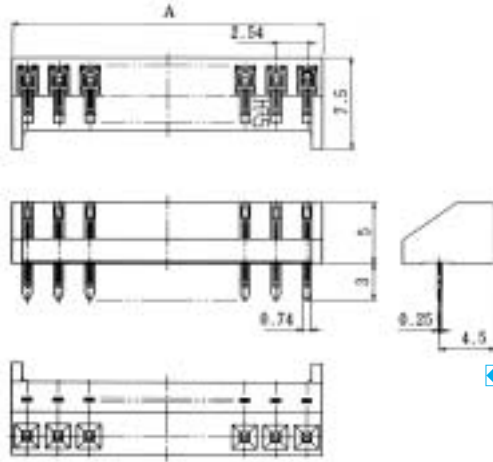
Automotive equipment, IPM, and IGBT.

Single-Row Type

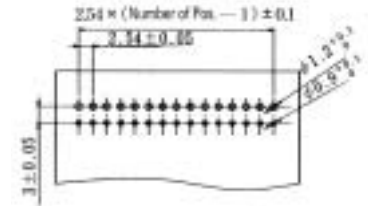
F Connectors



| Part Number | CL No. | Number of positions | A dimension | Remarks |
|----------------------|---------------|---------------------|-------------|------------------------|
| GT9-12S-2.54DSA | 759-0011-8 | 12 | 30.48 | |
| GT9-12S-2.54DSA (05) | 759-0011-8-05 | | | Flux prevention finish |
| GT9-15S-2.54DSA | 759-0001-4 | 15 | 38.1 | |
| GT9-15S-2.54DSA (05) | 759-0001-4-05 | | | Flux prevention finish |
| GT9-16S-2.54DSA | 759-0008-3 | 16 | 40.64 | |
| GT9-16S-2.54DSA (05) | 759-0008-3-05 | | | Flux prevention finish |
| GT9-18S-2.54DSA | 759-0002-7 | 18 | 45.72 | |
| GT9-18S-2.54DSA (05) | 759-0002-7-05 | | | Flux prevention finish |
| GT9-19S-2.54DSA | 759-0009-6 | 19 | 48.26 | |
| GT9-19S-2.54DSA (05) | 759-0009-6-05 | | | Flux prevention finish |
| GT9-25S-2.54DSA | 759-0006-8 | 25 | 63.5 | |
| GT9-25S-2.54DSA (05) | 759-0006-8-05 | | | Flux prevention finish |



Recommended PCB Mounting Pattern



| Item | Material | Finish |
|----------|-----------------|--------------|
| Housing | PA (Note) | Color: Black |
| Terminal | Phosphor bronze | Tin plating |

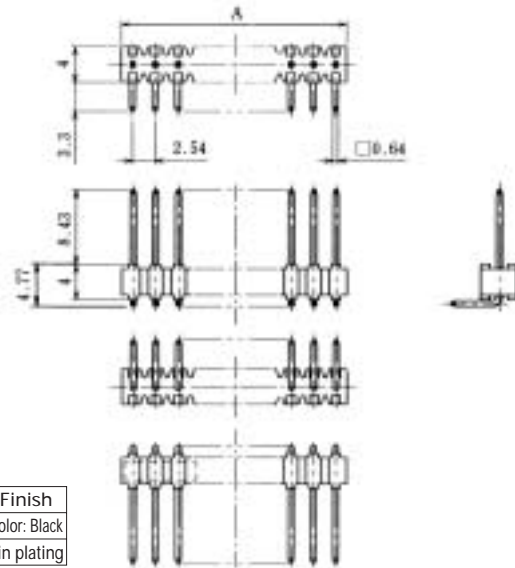
Note: The material is PBT for the 12-pos. type only.

M Connectors

Right-angle Type

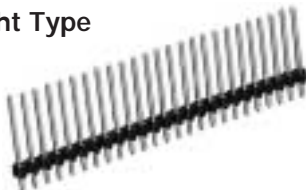


| Part Number | CL No. | Number of positions | A dimension | Remarks |
|---------------------|---------------|---------------------|-------------|------------------------|
| GT9-12P-2.54DS | 759-0012-0 | 12 | 30.48 | |
| GT9-12P-2.54DS (05) | 759-0012-0-05 | | | Flux prevention finish |
| GT9-15P-2.54DS | 759-0004-2 | 15 | 38.1 | |
| GT9-15P-2.54DS (05) | 759-0004-2-05 | | | Flux prevention finish |
| GT9-18P-2.54DS | 759-0005-5 | 18 | 45.72 | |
| GT9-18P-2.54DS (05) | 759-0005-5-05 | | | Flux prevention finish |
| GT9-25P-2.54DS | 759-0007-0 | 25 | 63.5 | |
| GT9-25P-2.54DS (05) | 759-0007-0-05 | | | Flux prevention finish |

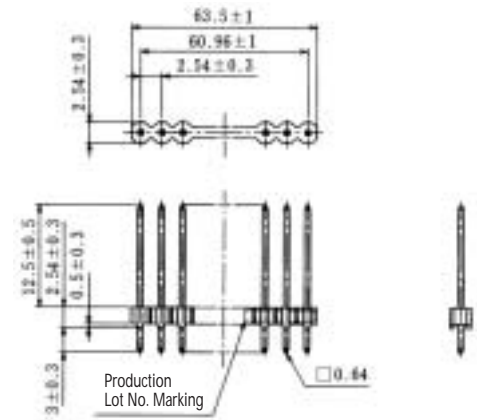


| Item | Material | Finish |
|----------|----------|--------------|
| Housing | PBT | Color: Black |
| Terminal | Brass | Tin plating |

Straight Type



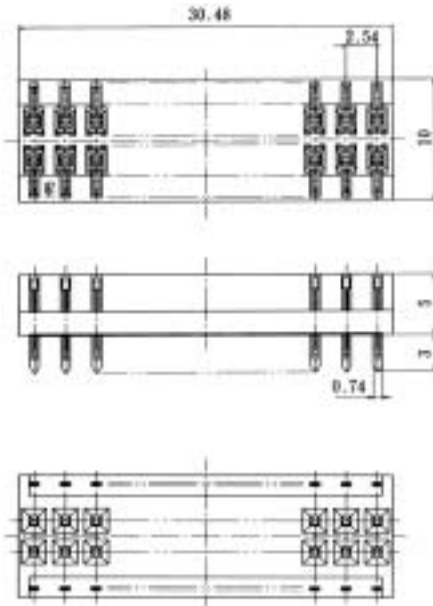
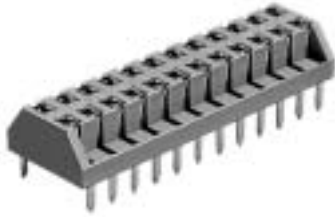
| Part Number | CL No. | Number of positions | A dimension | Remarks |
|-----------------------|---------------|---------------------|-------------|---|
| GT9P-12P-2.54DSA | 759-0014-6 00 | 12 | 30.48 | |
| GT9P-12P-2.54DSA (05) | 759-0014-6 05 | | 30.48 | Flux prevention processing |
| GT9P-12P-2.54DSA (12) | 759-0014-6 12 | | 30.48 | Flux prevention processing, with locator, cost effective item |
| GT9P-12P-2.54DSA (13) | 759-0014-6 13 | | 30.48 | Flux prevention processing, with locator |
| GT9P-16P-2.54DSA | 759-0015-9 00 | 16 | 40.64 | |
| GT9P-16P-2.54DSA (05) | 759-0015-9 05 | | 40.64 | Flux prevention processing |
| GT9P-16P-2.54DSA (12) | 759-0015-9 12 | | 40.64 | Flux prevention processing, with locator, cost effective item |
| GT9P-16P-2.54DSA (13) | 759-0015-9 13 | | 40.64 | Flux prevention processing, with locator |
| GT9P-19P-2.54DSA | 759-0016-1 00 | 19 | 48.26 | |
| GT9P-19P-2.54DSA (05) | 759-0016-1 05 | | 48.26 | Flux prevention processing |
| GT9P-19P-2.54DSA (12) | 759-0016-1 12 | | 48.26 | Flux prevention processing, with locator, cost effective item |
| GT9P-19P-2.54DSA (13) | 759-0016-1 13 | | 48.26 | Flux prevention processing, with locator |
| GT9P-25P-2.54DSA | 759-0010-5 00 | 25 | 63.50 | |
| GT9P-25P-2.54DSA (05) | 759-0010-5 05 | | 63.50 | Flux prevention processing |
| GT9P-25P-2.54DSA (12) | 759-0010-5 12 | | 63.50 | Flux prevention processing, with locator, cost effective item |
| GT9P-25P-2.54DSA (13) | 759-0010-5 13 | | 63.50 | Flux prevention processing, with locator |



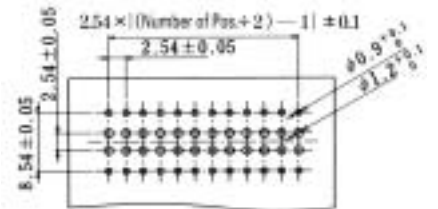
| Item | Material | Finish |
|----------|----------|--------------|
| Housing | PBT | Color: Black |
| Terminal | Brass | Tin plating |

Double-Row Type

F Connectors



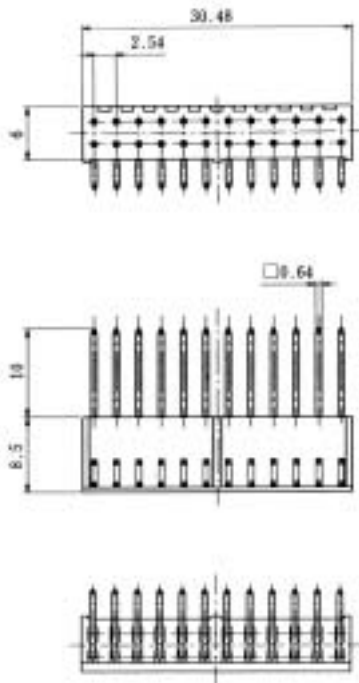
Recommended PCB Mounting Pattern



| Part Number | CL No. | Number of positions | A dimension | Remarks |
|----------------------|---------------|---------------------|-------------|------------------------|
| GT9-24D-2.54DSA | 759-0003-0-00 | 24 | 30.48 | |
| GT9-24D-2.54DSA (05) | 759-0003-0-05 | 24 | 30.48 | Flux prevention finish |
| GT9-24D-2.54DSA (23) | 759-0003-0-23 | 24 | 30.48 | Color: Natural |
| GT9-30D-2.54DSA | 759-0018-7-00 | 30 | 38.10 | |
| GT9-30D-2.54DSA (05) | 759-0018-7-05 | 30 | 38.10 | Flux prevention finish |

| Item | Material | Finish |
|----------|----------------|--------------------------------|
| Housing | PA | Color: Black Color: Natural |
| Terminal | Phosphor brass | Tin plating |

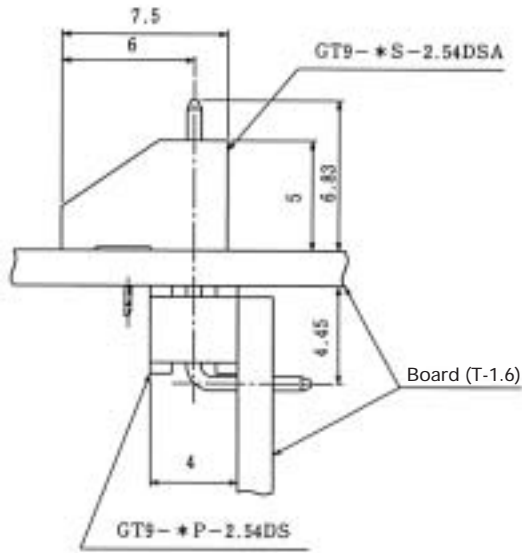
M Connectors



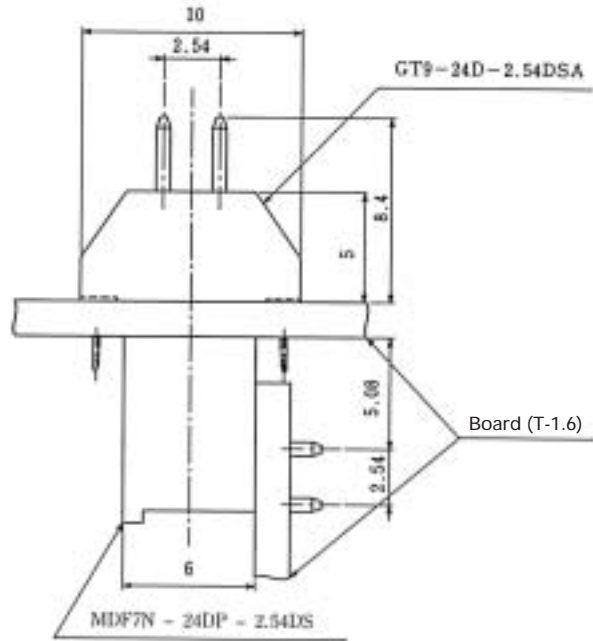
| Part Number | CL No. | Item | Material | Finish |
|------------------------|---------------|----------|----------|--------------|
| MDF7N-24DP-2.54DS (01) | 547-0226-8-01 | Housing | PBT | Color: Black |
| | | Terminal | Brass | Tin plating |

◆ Mating Diagram

● Single-Row Type

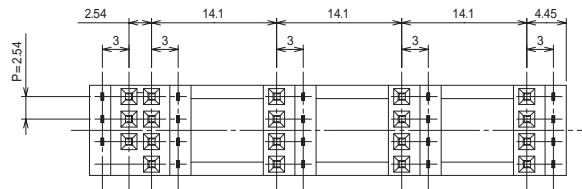
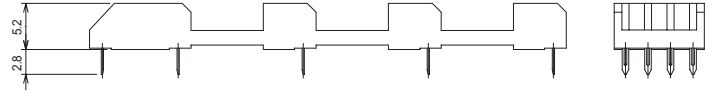
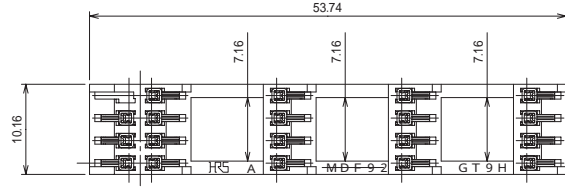
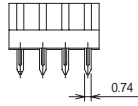


● Double-Row Type

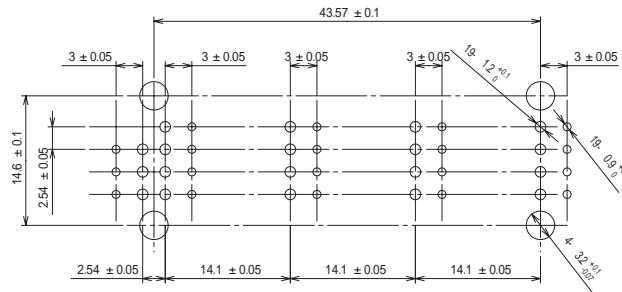


5-Row Type

F Connectors



Recommended PCB Mounting Pattern



| Part Number | CL No. | Item | Material | Finish |
|-----------------------|---------------|--------------|-----------------|---|
| GT9H-19S-2.54DSA (01) | 759-0023-7-01 | Housing | PBT | Color: Black |
| | | DSA Terminal | Phosphor bronze | Contact area: Gold plating Termination area: Tin plating |