

**BATTERY ELIMINATOR**

Type	$V_i$	$V_o$	$I_o$
GS-R28.0BE	10,5 to 16 V	7,5 V	750 mA

**DESCRIPTION**

The GS-R28.0BE is a switch mode constant voltage BATTERY ELIMINATOR that can deliver an output voltage of 7.5 V at 0,75 A of DC output current (Peak output current = 1.8 Ap).

Two versions of the INPUT PLUG ADAPTOR are available:

**WASHER TIP VERSION:**

**GS-R28.0BE-E** (Ordering Number)

**SPRING-LOADED TIP VERSION:**

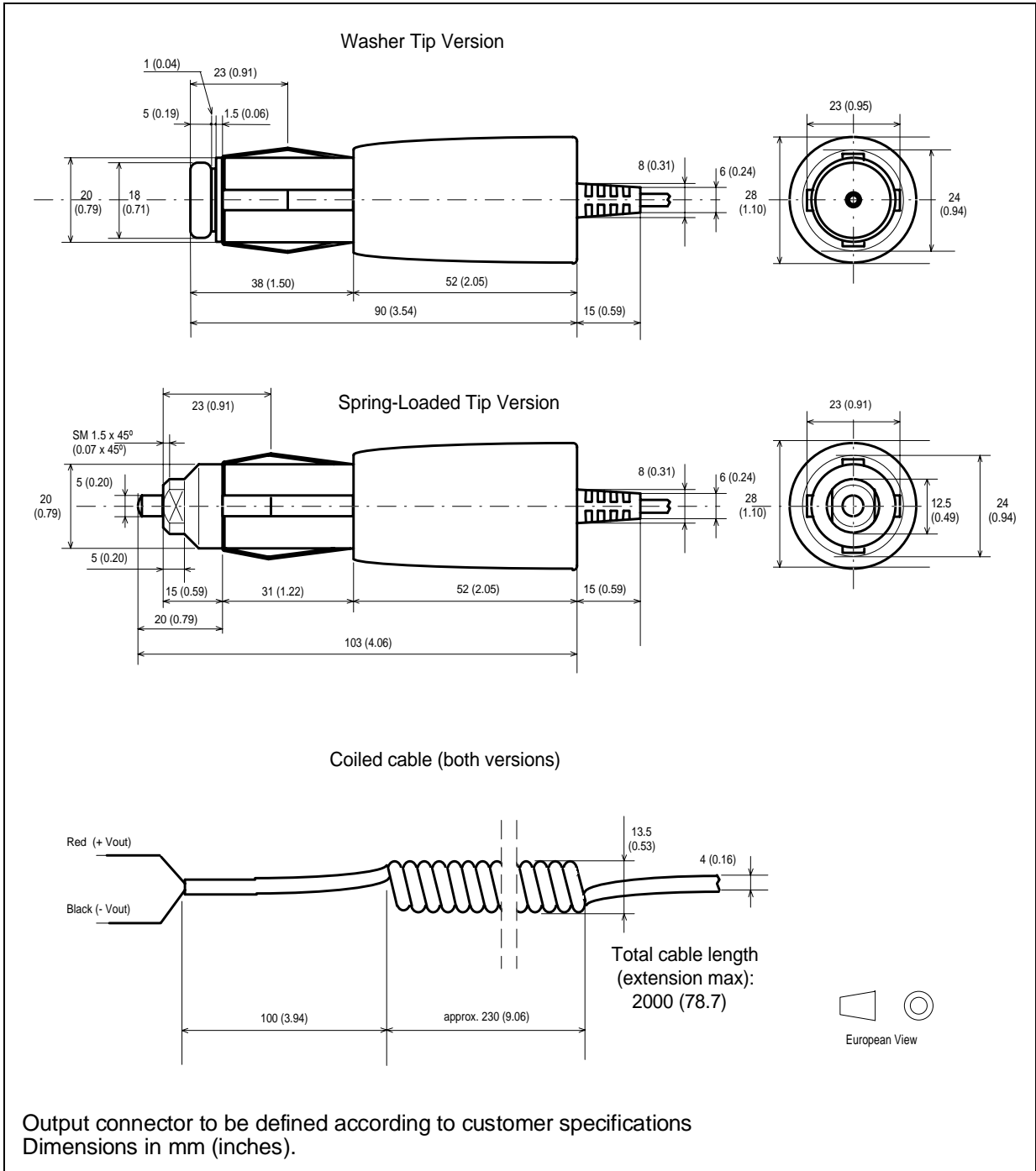
**GS-R28.0BE-A** (Ordering Number)

(See page 2 for mechanical data)


**ELECTRICAL CHARACTERISTICS** ( $T_{amb} = 25^{\circ}\text{C}$  unless otherwise specified)

Symbol	Parameter	Test Conditions	Min	Typ	Max	Unit
$V_i$	Input Voltage	$V_o = 7$ to 8V	10.5		16	V
$I_{iq}$	Input Quiescent Current	$V_{in} = 13.2\text{V}$ $I_o = 0\text{A}$		20	30	mA
$V_o$	Output Voltage	$V_i = 10.5$ to 16V $I_o = 0$ to 1.8Ap	7.0	7.5	8.0	V
$I_o$	Output Current	Continuous output current $V_i = 10.5$ to 16V $V_o = 7.5\text{V}$			750	mA
$I_{op}$	Peak Output Current	Duration: 0.6 ms every 4.8 ms $V_i = 10.5$ to 16V $V_o = 7.5\text{V}$			1.8	Ap
$V_{or}$	Output Ripple Voltage	$V_i = 10.5$ to 16V $V_o = 7.5\text{V}$ $I_o = 750\text{mA}$			100	mVpp
$\eta$	Efficiency	$V_i = 13.2\text{V}$ $I_o = 750\text{mA}$		70		%
$f_s$	Switching Frequency	$V_{in} = 10.5$ to 16V $I_o = 0\text{A}$ to 1.8 Ap		100		kHz
$T_{op}$	Operating Ambient Temperature Range		- 20		+60	$^{\circ}\text{C}$
$T_{stg}$	Storage Temperature Range		- 25		+85	$^{\circ}\text{C}$

CONNECTION DIAGRAM AND MECHANICAL DATA



Information furnished is believed to be accurate and reliable. However, SGS-THOMSON Microelectronics assumes no responsibility for the consequences of use of such information nor for any infringement of patents or other rights of third parties which may result from its use. No license is granted by implication or otherwise under any patent or patent rights of SGS-THOMSON Microelectronics. Specification mentioned in this publication are subject to change without notice. This publication supersedes and replaces all information previously supplied. SGS-THOMSON Microelectronics products are not authorized for use as critical components in life support devices or systems without express written approval of SGS-THOMSON Microelectronics.

© 1994 SGS-THOMSON Microelectronics – All Rights Reserved

SGS-THOMSON Microelectronics GROUP OF COMPANIES

Australia - Brazil - China - France - Germany - Hong Kong - Italy - Japan - Korea - Malaysia - Malta - Morocco - The Netherlands -  
Singapore - Spain - Sweden - Switzerland - Taiwan - Thailand - United Kingdom - U.S.A.