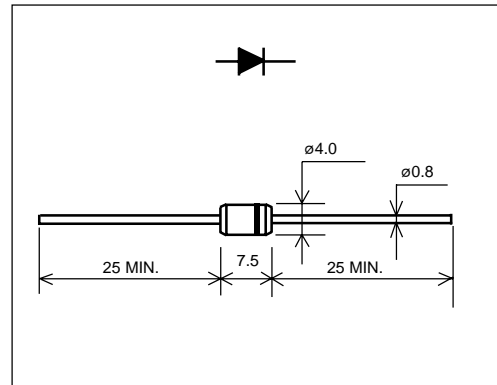


ERB35 (1A)

(200V / 1A)

FAST RECOVERY DIODE

■ Outline drawings, mm



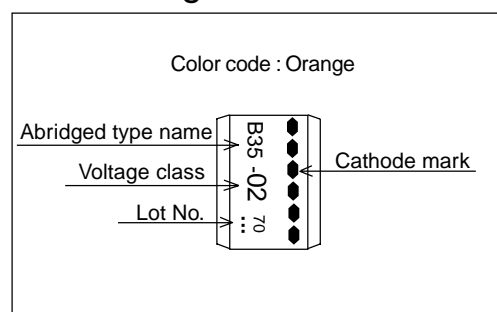
■ Features

- Soft recovery, low noise
- High reliability

■ Applications

- High speed switching

■ Marking



■ Maximum ratings and characteristics

- Absolute maximum ratings

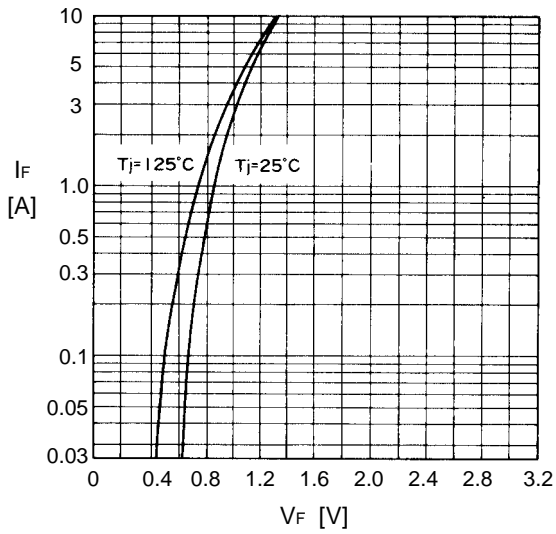
Item	Symbol	Conditions	Rating	Unit
			-02	
Repetitive peak reverse voltage	V_{RRM}		200	V
Average forward current	$I_{F(AV)}$	Square wave, duty=1/2, $T_a = 25^\circ\text{C}$	1.0	A
Surge current	I_{FSM}	Sine wave 10ms	30	A
Operating junction temperature	T_j		-40 to +150	$^\circ\text{C}$
Storage temperature	T_{stg}		-40 to +150	$^\circ\text{C}$

- Electrical characteristics ($T_a = 25^\circ\text{C}$ Unless otherwise specified)

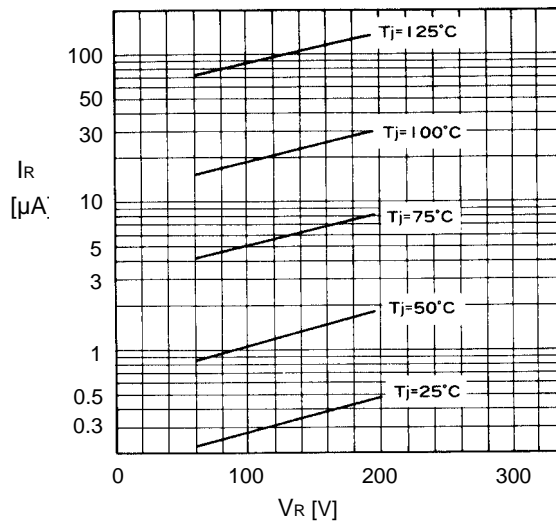
Item	Symbol	Conditions	Max.	Unit
Forward voltage drop	V_{FM}	$I_{FM} = 1.0\text{A}$	1.1	V
Reverse current	I_{RRM}	$V_R = V_{RRM}$	10	μA
Reverse recovery time	t_{rr}	$I_F = 0.1\text{A}, I_R = 0.1\text{A}$	100	ns

■ Characteristics

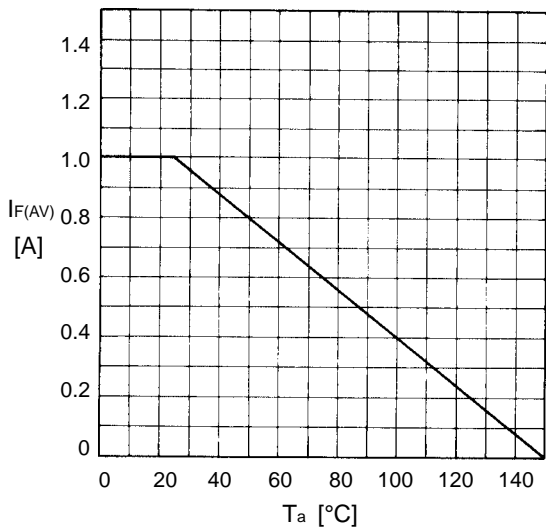
Forward characteristics



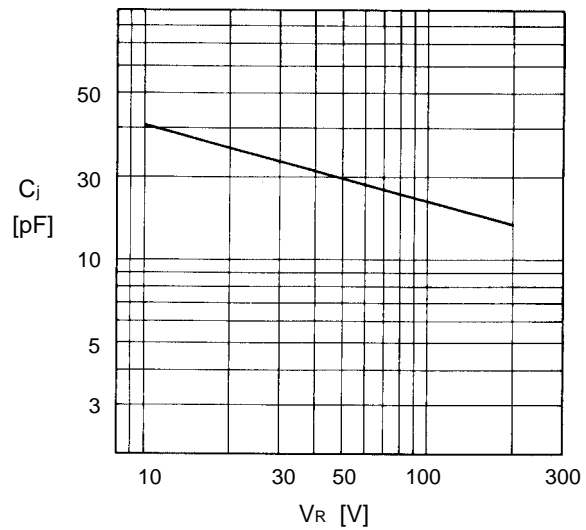
Reverse characteristics



Current derating ($I_{F(AV)}-T_a$)



Junction capacitance characteristics



Surge capability

