

EK-SA51

INTRODUCTION

Fast, easy breadboarding of circuits using the SA51 are possible with the EK-SA51 PC board. Mounting holes are provided and the provision for standard banana jacks simplifies connection and testing. Components are labeled on both sides of the board for ease of probing.

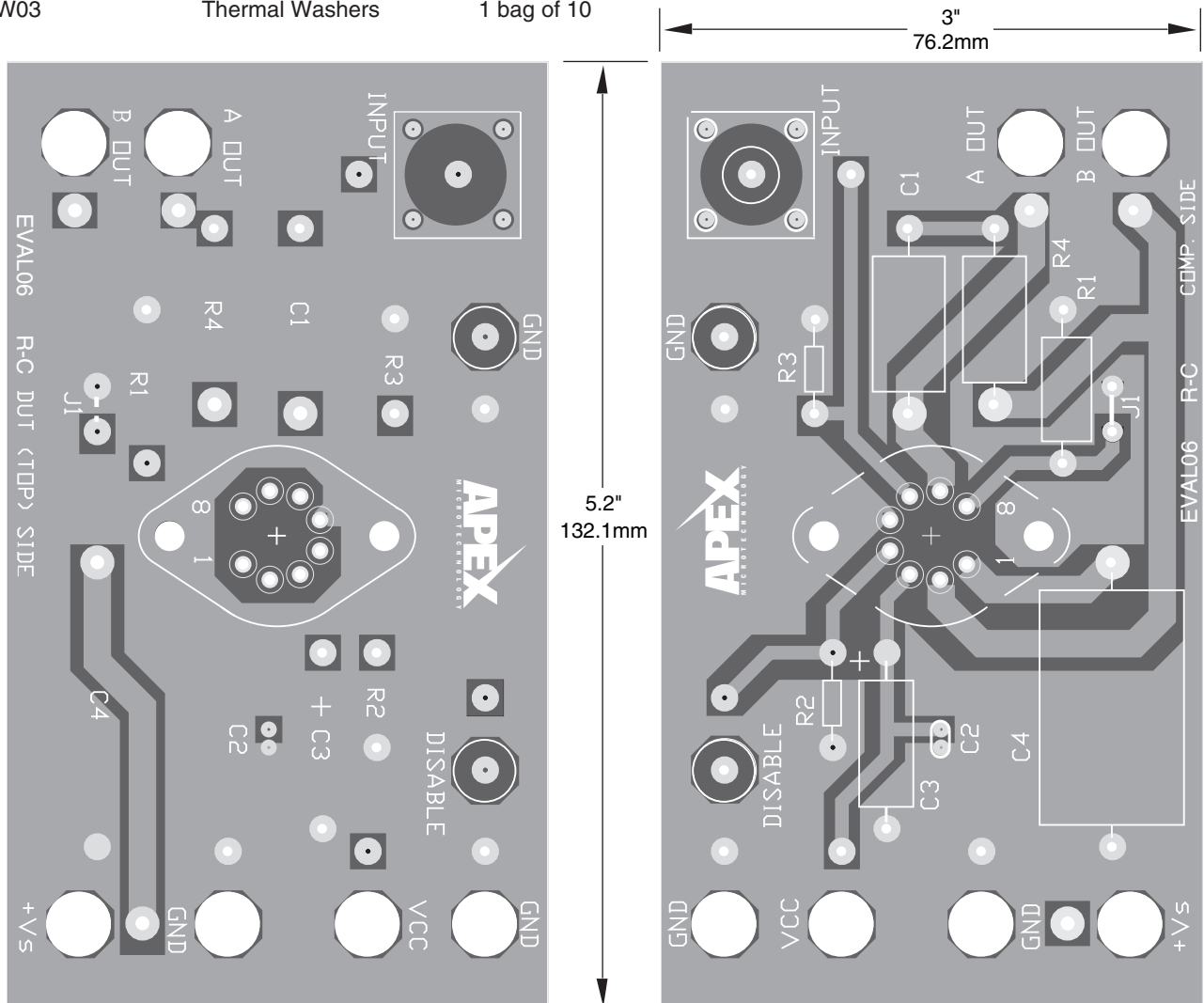
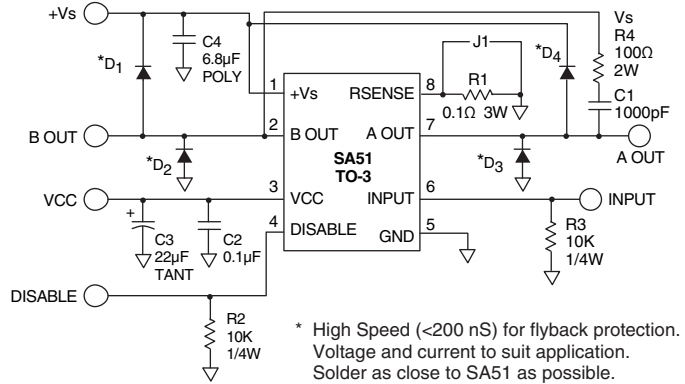
TYPICAL COMPONENT FUNCTIONS

- C2, C3, C4 Power supply bypass capacitors
- R4, C1 Snubber network
- R1 Current sensing resistor or jumpered to ground
- R2, R3 Input resistors

PARTS LIST

| Part # | Description | Quantity |
|--------|-----------------|-------------|
| EVAL06 | P.C. Board | 1 |
| HS14 | Heatsink | 1 |
| MS03 | Mating Socket | 1 |
| TW03 | Thermal Washers | 1 bag of 10 |

EQUIVALENT SCHEMATIC



NOTE: Illustration only, not to exact scale.