

# ECS-D480A SAW FILTER



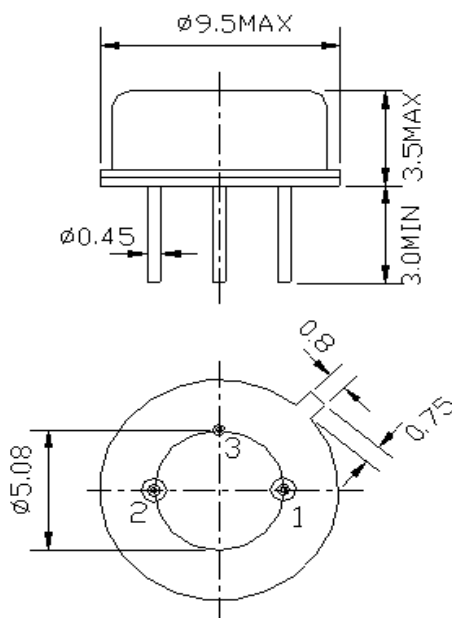
Part Number
ECS-D480A

## OPERATING CONDITIONS/ELECTRICAL CHARACTERISTICS

PARAMETERS	CONDITIONS	ECS-D479.5B			Units
		MIN	TYP	MAX	
Center Frequency		479.0	480.0	481.0	MHz
Insertion Loss	@ 480 MHz		19.5	21	dB
3 dB Pass Band		16.6	17.6	18.6	MHz
Relative Attenuation	@ 471.0 MHz		3.4	5.4	dB
	@ 489.0 MHz		3.0	5.4	dB
	430 to 461 MHz	38.0	50.0		dB
	499 to 530 MHz	38.0	45.0		dB
Amplitude Ripple	476.0 to 484.0 MHz		0.3	0.6	dB
Group Delay	480.0 MHz		281.0		nS
Group Delay Ripple	471.5 to 488.5 MHz		11.5	18.0	ns
Terminating Impedance	Input		70Ω / 3.7 pF		
	Output		280Ω / 2.5 pF		
Frequency Stability	-25 to +85°C		-86		ppm/°C
Operating Temperature		-25		+85	°C
Storage Temperature		-40		+85	°C

Rev 3/02

## PACKAGE DIMENSIONS (mm)



Pin Connections	
#1	Input
#2	Output
#3	Ground

Figure 1) Side and Bottom Views