

BLFA054SURCK28V

HYPER RED

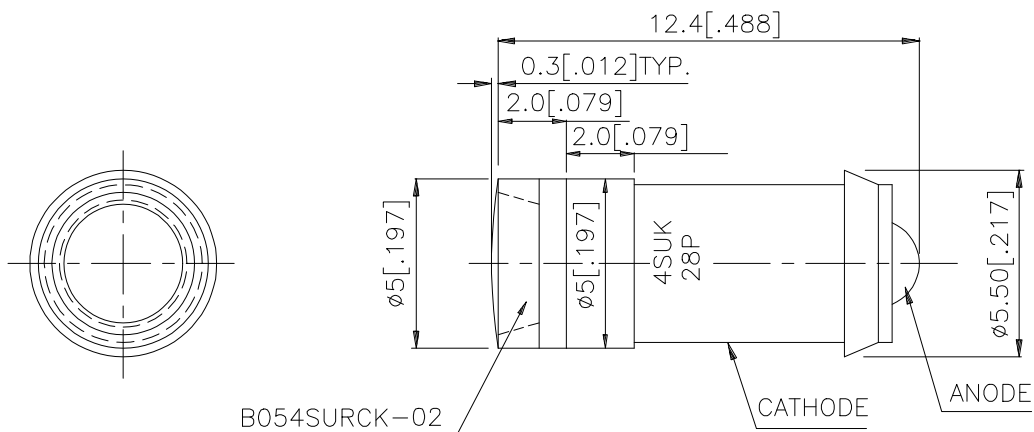
### Features

- BUILT-IN CURRENT LIMITING RESISTOR FOR DIRECT APPLICATION OF DIFFERENT ACROSS CURRENT.
- LONG LIFE.
- LOW MAINTENANCE.
- DIFFERENT COLOR AVAILABLE.
- SOLID STATE, HIGH VIBRATION RESISTANT.
- 28V INTERNAL RESISTOR.

### Description

The Hyper Red source color devices are made with DH InGaAlP on GaAs substrate Light Emitting Diode.

### Package Dimensions



### Notes:

1. All dimensions are in millimeters (inches).
2. Tolerance is  $\pm 0.25$  (0.01") unless otherwise noted.
3. Specifications are subject to change without notice.

## Selection Guide

Part No.	Dice	Lens Type	Iv (mcd) V=28V		Viewing Angle
			Min.	Typ.	2θ1/2
BLFA054SURCK28V	HYPER RED(InGaAlP)	WATER CLEAR	280	510	110°

Note:

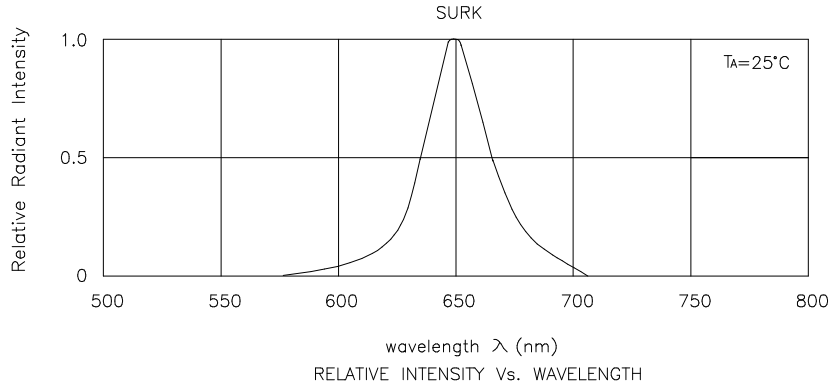
1. θ1/2 is the angle from optical centerline where the luminous intensity is 1/2 the optical centerline value.

## Electrical / Optical Characteristics at T<sub>A</sub>=25°C

Symbol	Parameter	Device	Typ.	Max.	Units	Test Conditions
λ <sub>peak</sub>	Peak Wavelength	Hyper Red	650		nm	V <sub>F</sub> =28V
λ <sub>D</sub>	Dominant Wavelength	Hyper Red	635		nm	V <sub>F</sub> =28V
Δλ <sub>1/2</sub>	Spectral Line Half-width	Hyper Red	28		nm	V <sub>F</sub> =28V
C	Capacitance	Hyper Red	35		pF	V <sub>F</sub> =0V;f=1MHz
I <sub>F</sub>	Forward Current	Hyper Red	10		mA	V <sub>F</sub> =28V
I <sub>R</sub>	Reverse Current	Hyper Red		10	μA	V <sub>R</sub> = 5V

## Absolute Maximum Ratings at T<sub>A</sub>=25°C

Parameter	Hyper Red	Units
Power dissipation	300	mW
Forward Voltage	30	V
Reverse Voltage	5	V
Operating Temperature	-40 °C To +70 °C	
Storage Temperature	-40 °C To + 85 °C	



## Hyper Red

### BLFA054SURCK28V

