

**Characteristics**

$C_N$	$\Delta$	3x 38,5 $\mu$ F +10/-5 %	
$U_N$		AC 525 V	
$f_N$		50 Hz	60 Hz
$Q_N$		10 kvar	12 kvar
$I_N$		3x 11 A	13 A
$\tan\delta_0$		0,2 W/kvar (dielectric)	

**Maximum ratings**

$U_{max}$	AC 580 V, 8 h daily
	AC 680 V, 1 min
$I_{r(40)}$	3x 40 A ( $\Theta_A = 60^\circ\text{C}, U_N$ )
$I_s$	4700 A
$(du/dt)_{max}$	28 V/ $\mu$ s
$(du/dt)_s$	70 V/ $\mu$ s

**Test data**

$U_{TT}$	AC 1150 V, 10 s
$U_{TC}$	AC 3000 V, 10 s
$\tan\delta$ (50 Hz)	$\leq 0,5$ W/kvar (total)

**Climatic category**

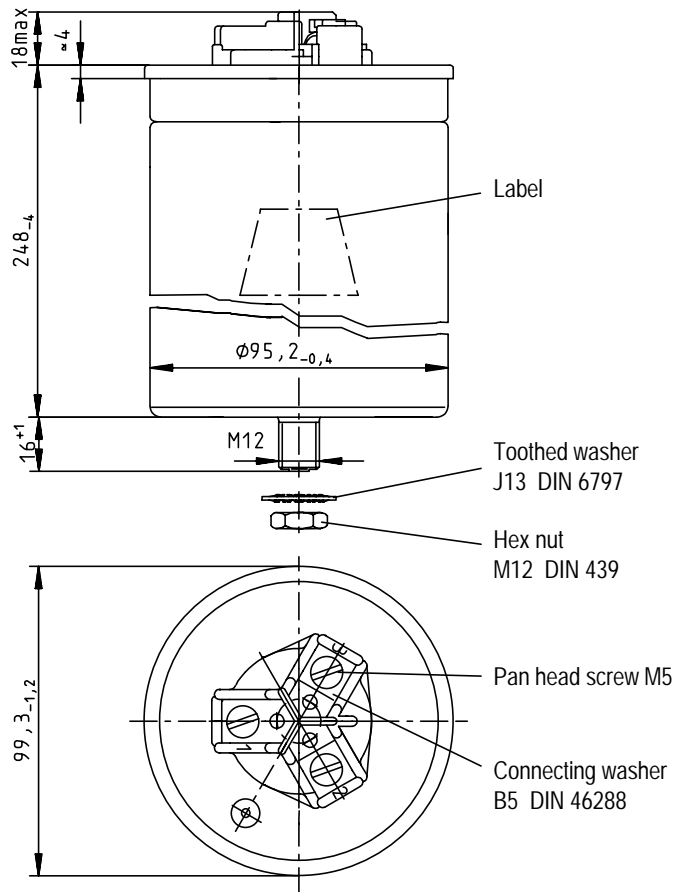
$\Theta_{min}$	-25 $^\circ\text{C}$
$\Theta_{max}$	+70 $^\circ\text{C}$
Humidity	Max. relative Humidity $\leq 95$ %
$\Theta_{stg}$	-40 bis +70 $^\circ\text{C}$

**Life expectancy**

$t_{LD}$	100 000 h
----------	-----------

**Remarks**

480 V, 60 Hz, 10,0 kvar



Dimensions in mm

**Design data**

Dimensions $\varnothing \times l$	99,3 x 248 mm (3,91 x 9,76 in)
Approx. weight	2,1 kg (4,6 lb)
Impregnation	Oil
Fixing	Threaded bolt M12
Mounting hole	14 mm (0,55 in)
Max. torque	10 Nm
Terminals	Screw clamps
Terminal cross section	6 mm <sup>2</sup> (9 AWG)
Creepage distance	12,7 mm (0,50 in)
Clearance	9,6 mm (0,38 in)
Overpressure disconnecter	